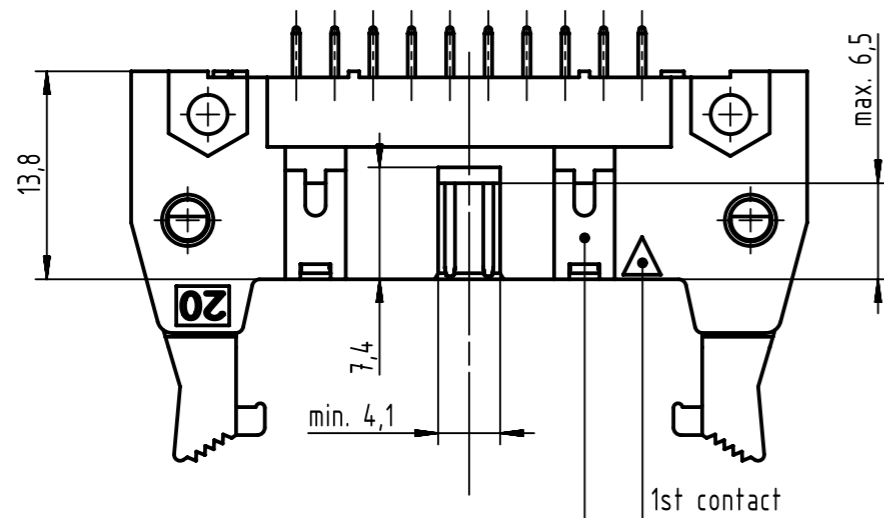
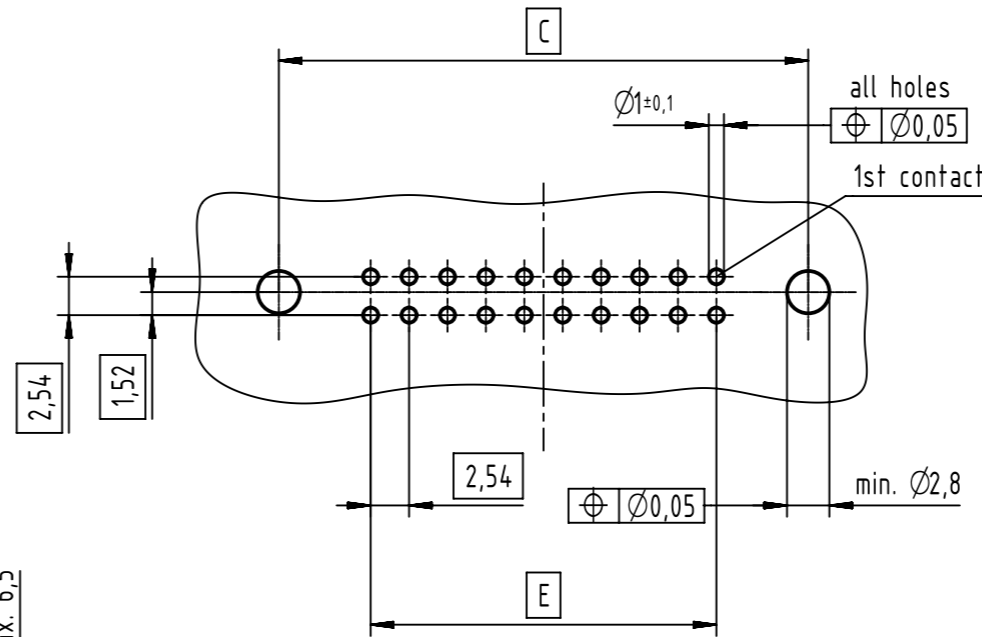
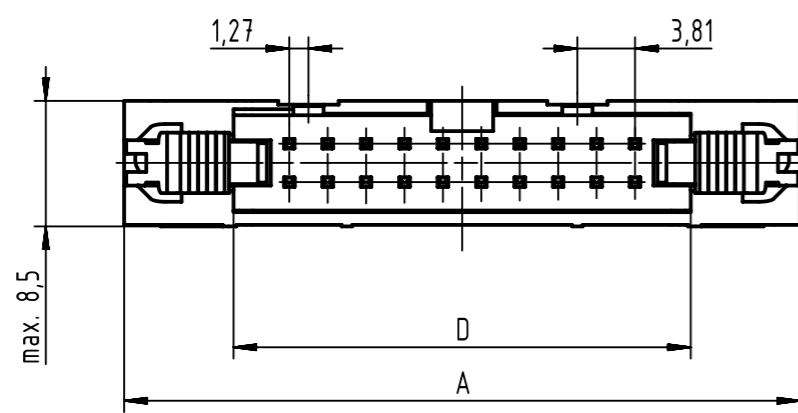
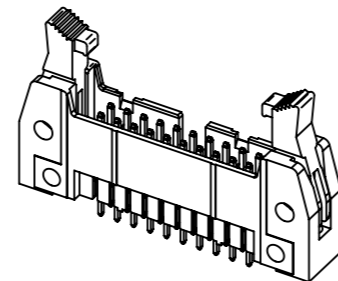


PCB layout
view component side
thickness 1,6



see table for coding,
feature arrangement and style



further information
see: DS 09191230202

full range of P/N's and
dimensions shown on page 2/2

coding style table	
	style A: for connectors 6-pole
	style B: for connectors from 10 to 14-pole
	style C: for connectors from 16 to 64-pole

	All Dimensions in mm Original Size DIN A3	Scale 2:1	Free size tol. IEC 60603-13	Ref. Sub. TB 09195XXX904 / 500000087654 / 2015-04-08	
	All rights reserved Department EC PD - DE	Created by STORCK	Inspected by TADJE	Standardisation KOHLER	Date 2015-12-21
HARTING Electronics GmbH D-32339 Espelkamp		Title SEK 19 male standard conn straight with long lever 2.9			State Final Release
		Type TB	Number 09195XXX904		Doc-Key / ECM-Nr. 100154464/UGD/032/A 50000094596
					Rev. A
					Page 1/2

no. of contacts	performance level			insulator colour	dimensions				
	PL3	PL2	S4		A max.	C	D	E	G
	part number	part number	part number						
06	09 19 506 7904	09 19 506 6904	09 19 506 5904	beige	27,2	22,86	12,45	2,54 x 2 = 5,08	40,3
10	09 19 510 7904	09 19 510 6904	09 19 510 5904		32,3	27,94	17,53	2,54 x 4 = 10,16	45,4
14	09 19 514 7904	09 19 514 6904	09 19 514 5904		37,4	33,02	22,61	2,54 x 6 = 15,24	50,4
16	09 19 516 7904	09 19 516 6904	09 19 516 5904		39,9	35,56	25,15	2,54 x 7 = 17,78	53,0
20	09 19 520 7904	09 19 520 6904	09 19 520 5904		45,0	40,64	30,23	2,54 x 9 = 22,86	58,1
24	09 19 524 7904	09 19 524 6904	09 19 524 5904		50,1	45,72	35,91	2,54 x 11 = 27,94	63,2
26	09 19 526 7904	09 19 526 6904	09 19 526 5904		52,6	48,26	37,85	2,54 x 12 = 30,48	65,7
30	09 19 530 7904	09 19 530 6904	09 19 530 5904		58,0	53,34	43,83	2,54 x 14 = 35,56	68,6
34	09 19 534 7904	09 19 534 6904	09 19 534 5904		62,8	58,42	48,01	2,54 x 16 = 40,64	75,8
40	09 19 540 7904	09 19 540 6904	09 19 540 5904		70,4	66,04	55,63	2,54 x 19 = 48,26	83,5
50	09 19 550 7904	09 19 550 6904	09 19 550 5904		83,1	78,74	68,33	2,54 x 24 = 60,96	96,2
60	09 19 560 7904	09 19 560 6904	09 19 560 5904		95,8	91,44	81,03	2,54 x 29 = 73,66	108,9
64	09 19 564 7904	09 19 564 6904	09 19 564 5904		100,9	96,52	86,11	2,54 x 31 = 78,74	113,9
06	09 19 506 7904 001	09 19 506 6904 001	09 19 506 5904 001		black	27,2	22,86	12,45	2,54 x 2 = 5,08
10	09 19 510 7904 001	09 19 510 6904 001	09 19 510 5904 001	32,3		27,94	17,53	2,54 x 4 = 10,16	45,4
14	09 19 514 7904 001	09 19 514 6904 001	09 19 514 5904 001	37,4		33,02	22,61	2,54 x 6 = 15,24	50,4
16	09 19 516 7904 001	09 19 516 6904 001	09 19 516 5904 001	39,9		35,56	25,15	2,54 x 7 = 17,78	53,0
20	09 19 520 7904 001	09 19 520 6904 001	09 19 520 5904 001	45,0		40,64	30,23	2,54 x 9 = 22,86	58,1
24	09 19 524 7904 001	09 19 524 6904 001	09 19 524 5904 001	50,1		45,72	35,91	2,54 x 11 = 27,94	63,2
26	09 19 526 7904 001	09 19 526 6904 001	09 19 526 5904 001	52,6		48,26	37,85	2,54 x 12 = 30,48	65,7
30	09 19 530 7904 001	09 19 530 6904 001	09 19 530 5904 001	58,0		53,34	43,83	2,54 x 14 = 35,56	68,6
34	09 19 534 7904 001	09 19 534 6904 001	09 19 534 5904 001	62,8		58,42	48,01	2,54 x 16 = 40,64	75,8
40	09 19 540 7904 001	09 19 540 6904 001	09 19 540 5904 001	70,4		66,04	55,63	2,54 x 19 = 48,26	83,5
50	09 19 550 7904 001	09 19 550 6904 001	09 19 550 5904 001	83,1		78,74	68,33	2,54 x 24 = 60,96	96,2
60	09 19 560 7904 001	09 19 560 6904 001	09 19 560 5904 001	95,8		91,44	81,03	2,54 x 29 = 73,66	108,9
64	09 19 564 7904 001	09 19 564 6904 001	09 19 564 5904 001	100,9		96,52	86,11	2,54 x 31 = 78,74	113,9

	All rights reserved	Created by STORCK	Inspected by TADJE	Standardisation KOHLER	Date 2015-12-21	State Final Release
	Department EC PD - DE	Title SEK 19 male standard conn straight with long lever 2.9				Doc-Key / ECM-Nr. 100154464/UGD/032/A 50000094596
HARTING Electronics GmbH D-32339 Espelkamp		Type TB	Number 09195XXX904		Rev. A	Page 2/2