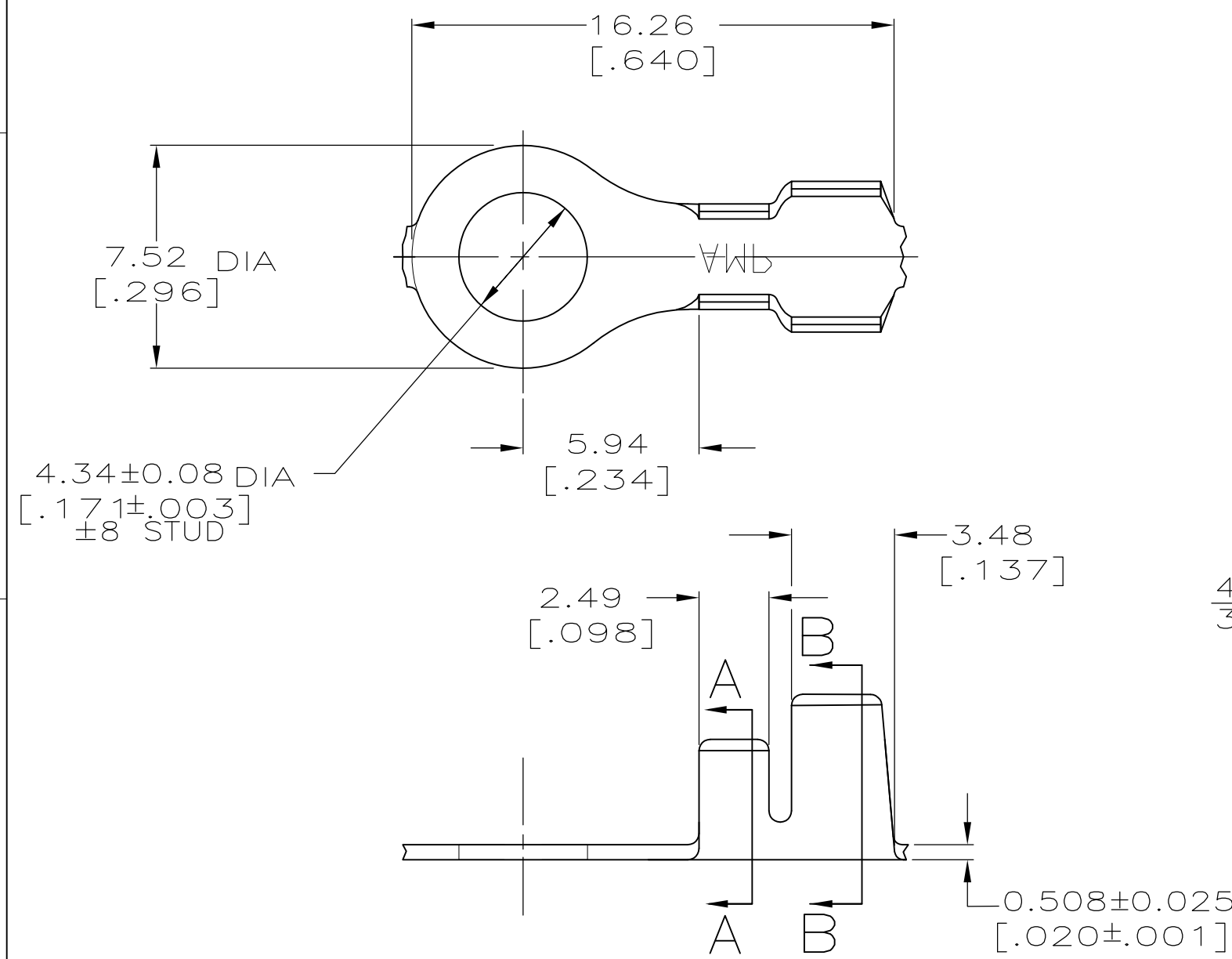
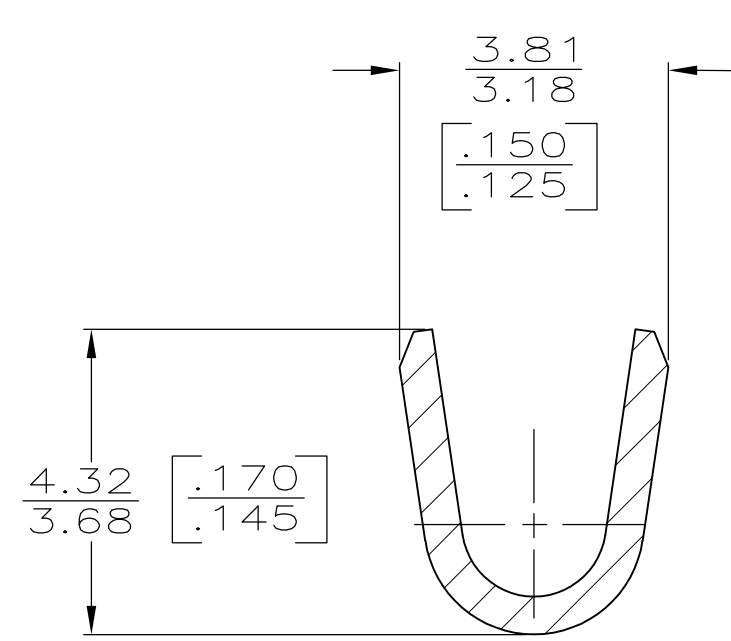


THIS DRAWING IS UNPUBLISHED. RELEASED FOR PUBLICATION
 © COPYRIGHT BY TYCO ELECTRONICS CORPORATION. ALL INTERNATIONAL RIGHTS RESERVED.

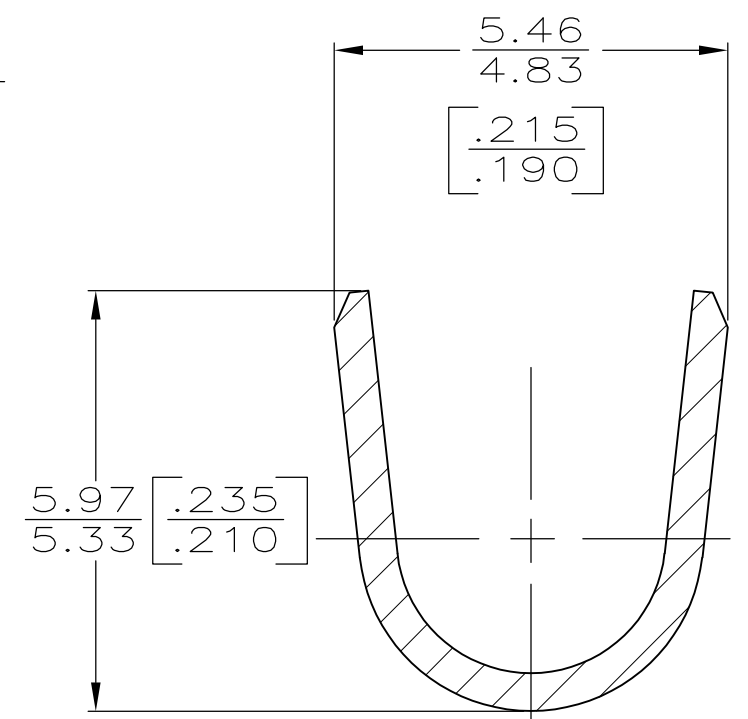
LOC	DIST	REVISIONS					
AF	50	P	LTR	DESCRIPTION	DATE	DWN	APVD
			B	REVISED PER ECR-10-006099	07JUL10	HMR	PD



1 CONTINUOUS STRIP ON REEL



SECTION A-A
SCALE 10:1



SECTION B-B
SCALE 10:1

H03 PHOS BRONZE	3.05-4.32 [.120-.170] DIA	18-14 AWG	1217160-1
MATERIAL	INSULATION RANGE	WIRE RANGE	PART NO.

F OR O	4.57 [.180]	4.06 [.160]	F	3.05 [.120]	2.03 [.080] [14]	1.83 [.072] [16]	1.70 [.067] [18]
TYPE	WIDTH	STRIP LENGTH ±0.38 [±.015]	TYPE	WIDTH	±0.051 [±.002] HEIGHT	WIRE	
INSUL BARREL CRIMP			WIRE BARREL CRIMP				

THIS DRAWING IS A CONTROLLED DOCUMENT.

DIMENSIONS: mm [INCHES]

TOLERANCES UNLESS OTHERWISE SPECIFIED:

0 PLC ± -
 1 PLC ± -
 2 PLC ± 0.25 [.010]
 3 PLC ± -
 4 PLC ± -
 ANGLES ± -

MATERIAL: SEE TABLE
 FINISH: TIN

DWN 24MAR1999 PHILLIP M FORTNEY
 CHK 24MAR1999 JEFF R RUTH
 APVD 24MAR1999 JEREMY DUNCAN

Tyco Electronics
 Tyco Electronics Corporation
 Harrisburg, PA 17105-3608

PRODUCT SPEC: RING
 APPLICATION SPEC: -

SIZE: A3 CAGE CODE: 00779 DRAWING NO: C-1217160 RESTRICTED TO: -

CUSTOMER DRAWING SCALE: 5:1 SHEET: 1 OF 1 REV: B