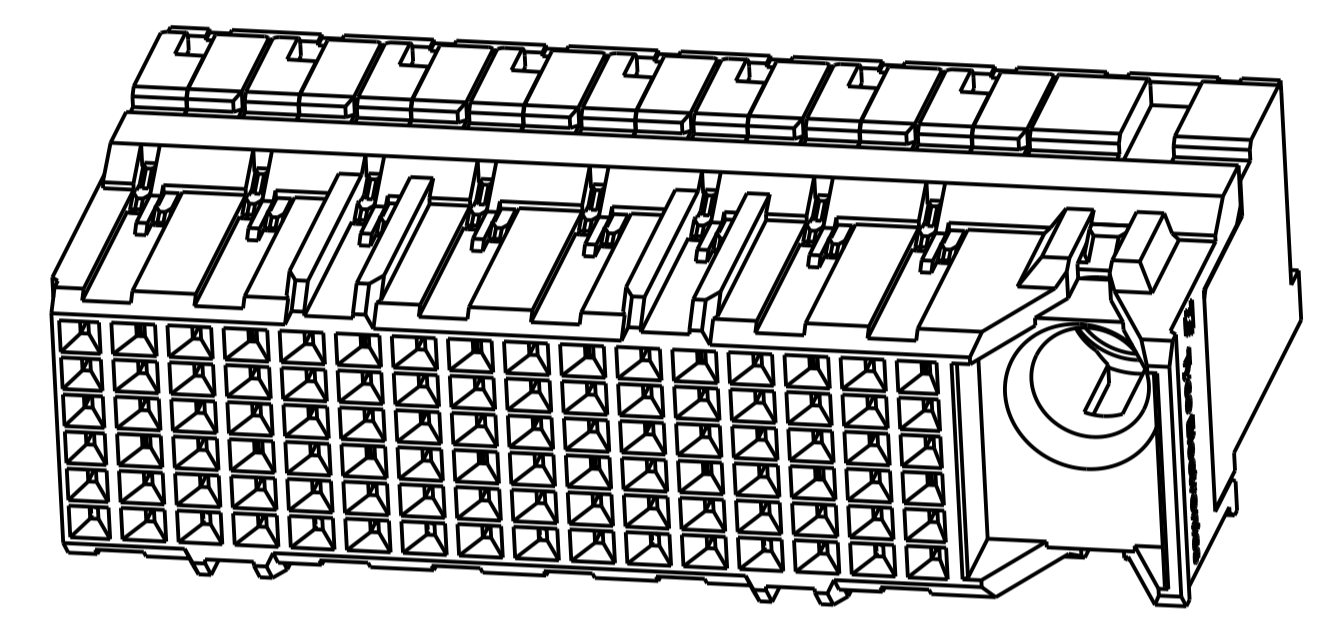
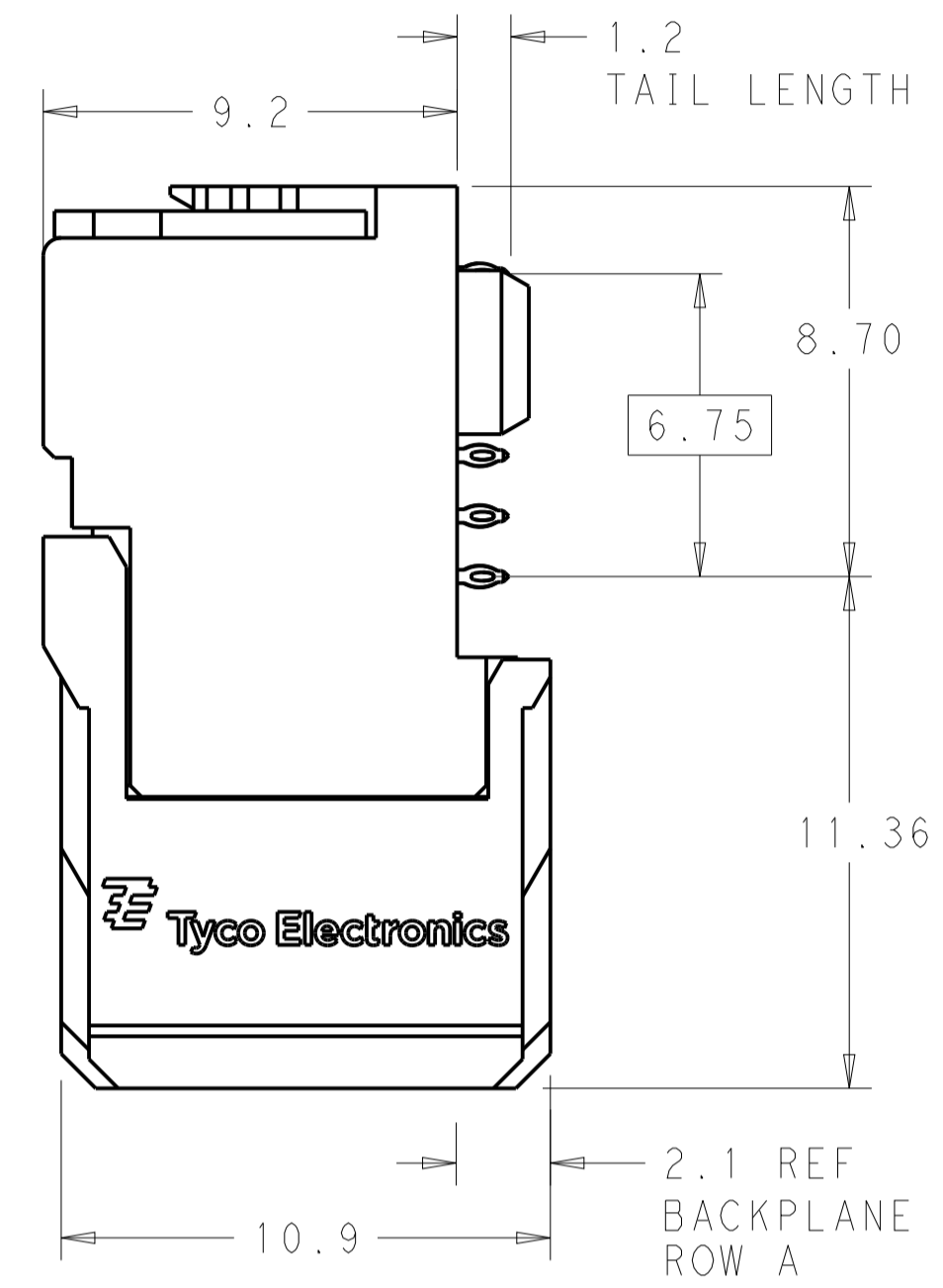
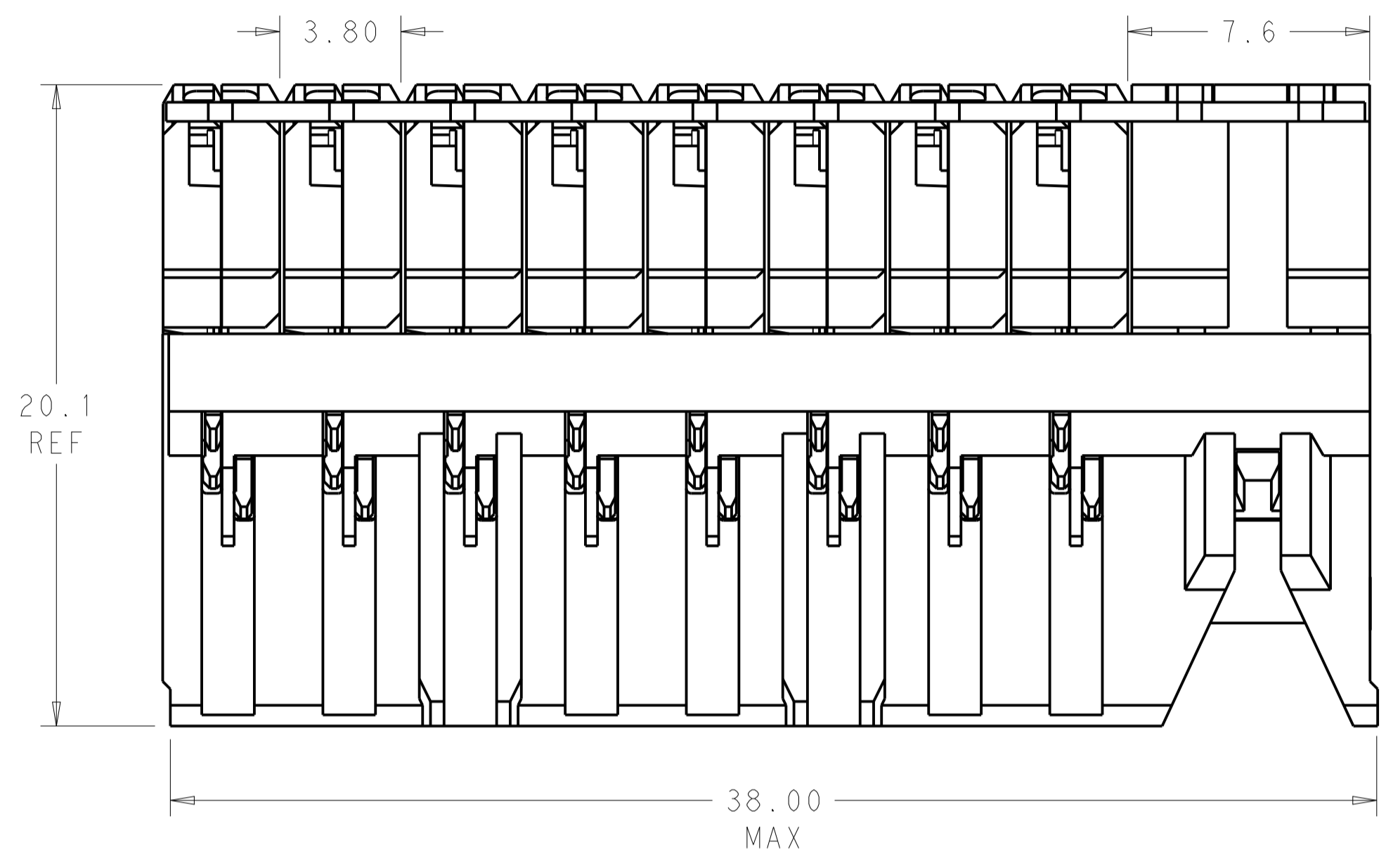


REVISIONS				
P.	LTN	DESCRIPTION	DATE	OWN APVD
C2		REVISED PER ECO-14-017984	02DEC2014	AP DD

⚠ MATERIAL:
 HOUSING: LCP, GLASS FILLED, UL94V-0.
 TERMINALS: HIGH PERFORMANCE COPPER ALLOY.

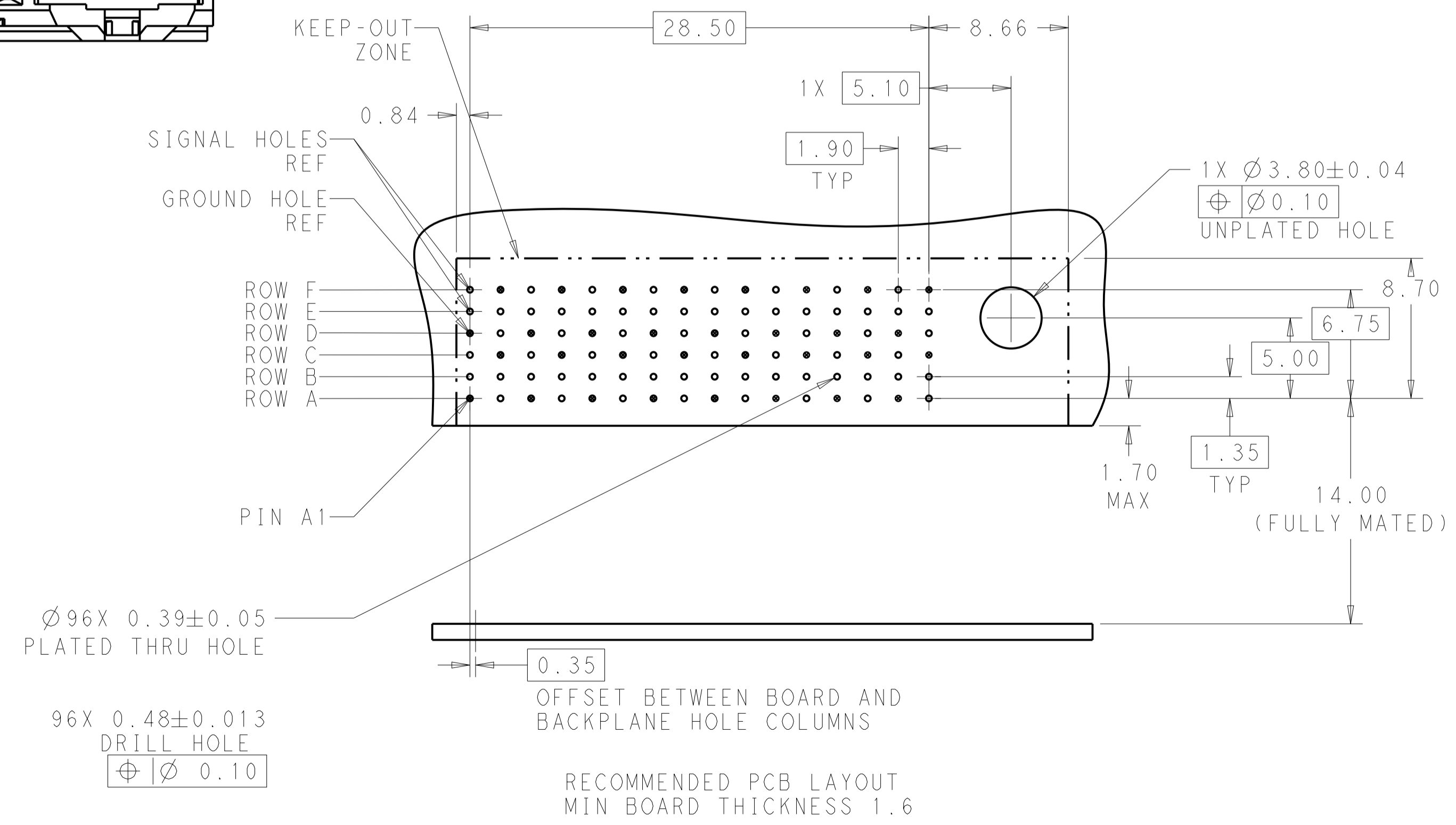
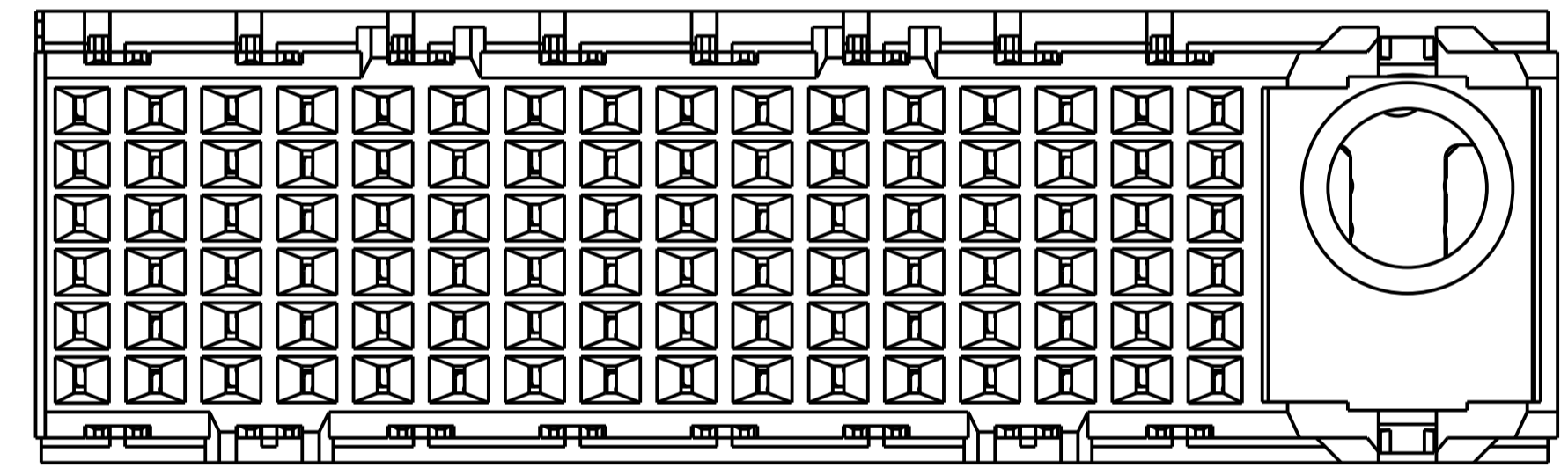
⚠ FINISH:
 30μ" SELECTIVE GOLD IN CONTACT AREA. SELECTIVE TIN
 ON PCB TAILS, NICKEL OVERALL.

3. CONNECTORS SUPPLIED WITH MOUNTING SCREW.



SCALE 4:1

REFER TO WWW.TE.COM
 FOR PRODUCT AVAILABILITY



RECOMMENDED PCB LAYOUT
 MIN BOARD THICKNESS 1.6

NONE	⚠	2057410-1
KEY POSITION	FINISH	PART NUMBER

THIS DRAWING IS A CONTROLLED DOCUMENT.		OWN: Z. MILLER 19AUG2010		NAME: IMPACT, STD, R/A, 2 PAIR, 16 COLUMN, DAUGHTERCARD, RIGHT GUIDED SIGNAL MODULE, 0.39 EYELET PRODUCT SPEC: - APPLICATION SPEC: - SIZE: - WEIGHT: - RESTRICTED TO: -
DIMENSIONS: mm		CHK: D. DIXON 19AUG2010		
TOLERANCES UNLESS OTHERWISE SPECIFIED:		APVD: D. DIXON 19AUG2010		
0 PLC ± 1 PLC ±0.2 2 PLC ±0.10 3 PLC ± 4 PLC ± ANGLES ±		CUSTOMER DRAWING: - SCALE: 6:1 SHEET: 1 OF 1 REV: C2		
MATERIAL: SEE TABLE		FINISH: -		