

THIS DRAWING IS UNPUBLISHED. RELEASED FOR PUBLICATION. COPYRIGHT © BY TYCO ELECTRONICS CORPORATION. ALL RIGHTS RESERVED.

Table with columns: ATLANTIC VERSION TERMINATOR INTERFACE ADAPTER, PART NUMBER, REVISION, DESCRIPTION, FEED TYPE, CONVERT TO, PART NUMBERS REQUIRED. Includes a diagram of the terminator interface adapter.

APPLICATOR DATA table with columns: CRIMP, SIZE, TYPE. Includes WIRE and INSUL dimensions. APPLICATOR INSTRUCTIONS 408-10389.

Terminal data and crimp specifications table. Includes columns: TE TERMINAL, TE CRIMP SPECIFICATION, WIRE STRIP LENGTH, INSULATION DIAMETER RANGE, and CRIMP HEIGHT REFERENCE SETTING.

- RECOMMENDED SPARE PARTS
GREASE BEARING SURFACES LIGHTLY
LUBRICATE DAILY PER THE APPLICATOR INSTRUCTION SHEET SUPPLIED WITH THE APPLICATOR.
APPLICATOR SPECIFIC DATA TO BE ENTERED INTO BLANK MEMORY CHIP AT ASSEMBLY.
ADJUSTMENT OF THE STRIPPER MAY BE REQUIRED WHEN MOVING THE APPLICATOR BETWEEN BENCH AND LEADMAKER APPLICATIONS.
APPLY PART NUMBER 1-23419-5 LOCTITE TO THREADS OF ITEM 62.

*WARNING
ON INSTALLATION, SET WIRE DISC, ITEM 40 TO LARGEST WIRE SIZE SETTING. USE OF SETTINGS BELOW MINIMUM REQUIRED CRIMP HEIGHT SETTING WILL CAUSE DAMAGE TO CRIMP TOOLING.

Table with columns: PART NO, DESCRIPTION, ITEM NO. Lists items like APPLICATOR SHIM PACK and O-RING.

ATLANTIC VERSION
Shown on sheets 1 of 4 & 2 of 4
(Pacific version shown on sheets 3 of 4 & 4 of 4)

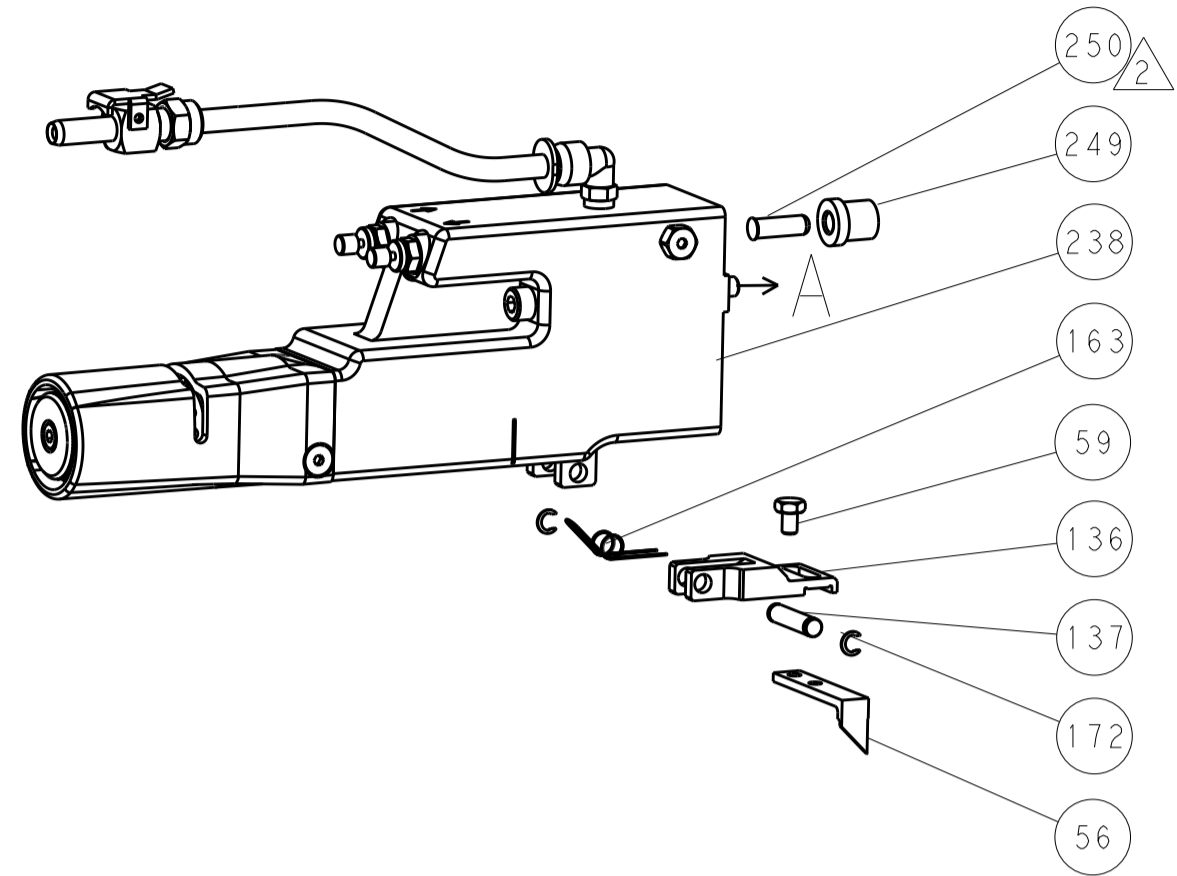
REVISIONS table with columns: P, LTR, DESCRIPTION, DATE, DWN, APVD. Shows revision 1 (RELEASED) and 1A (ECR-15-015347).

Main parts list table with columns: P, LTR, DESCRIPTION, DATE, DWN, APVD. Lists various components like PUSH ROD, BUSHING, FEED CAM, SPRING, etc.

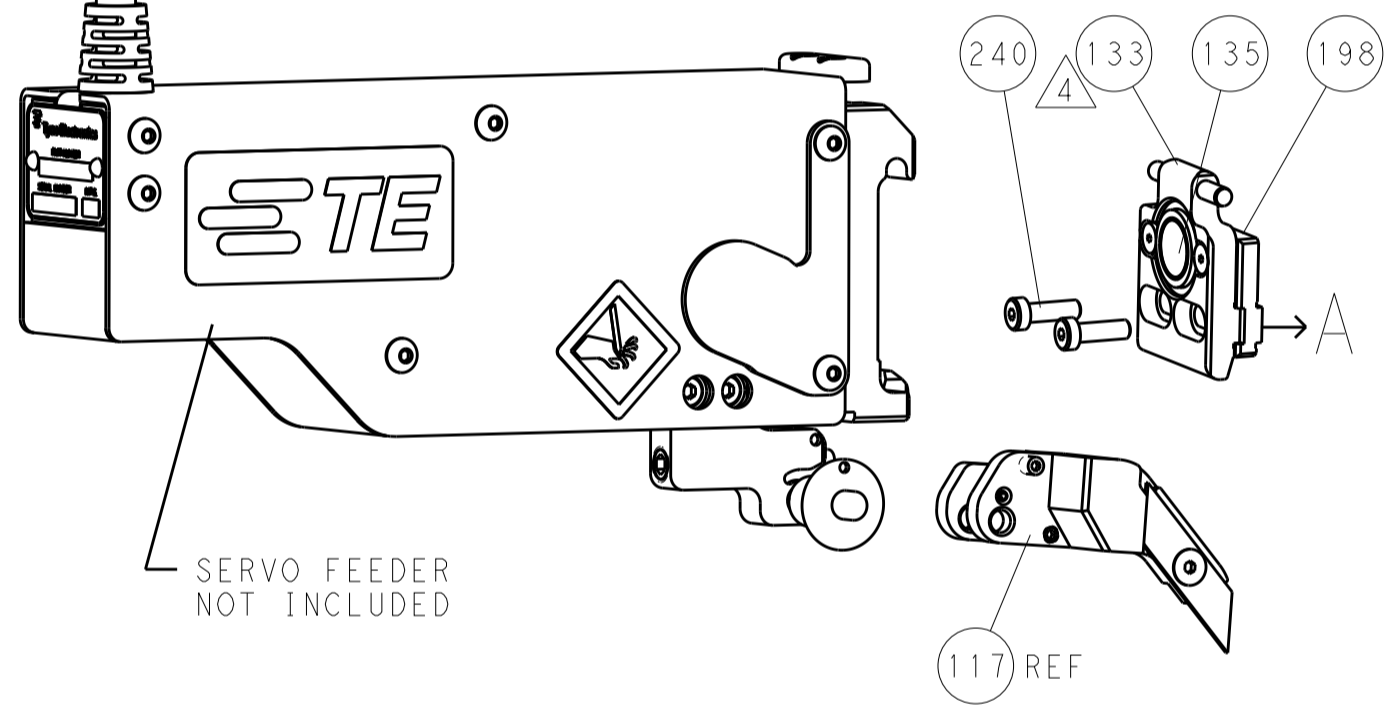
Technical drawing header and footer including dimensions, tolerances, material, weight, and customer information. Includes the STC logo and 'Ocean Side Feed Applicator'.

LOC		DIST		REVISIONS			
A	66	P	LTM	DESCRIPTION	DATE	OWN	APVD
		-		SEE SHEET 1			

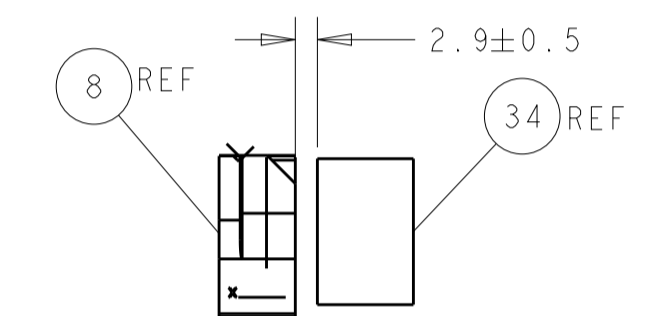
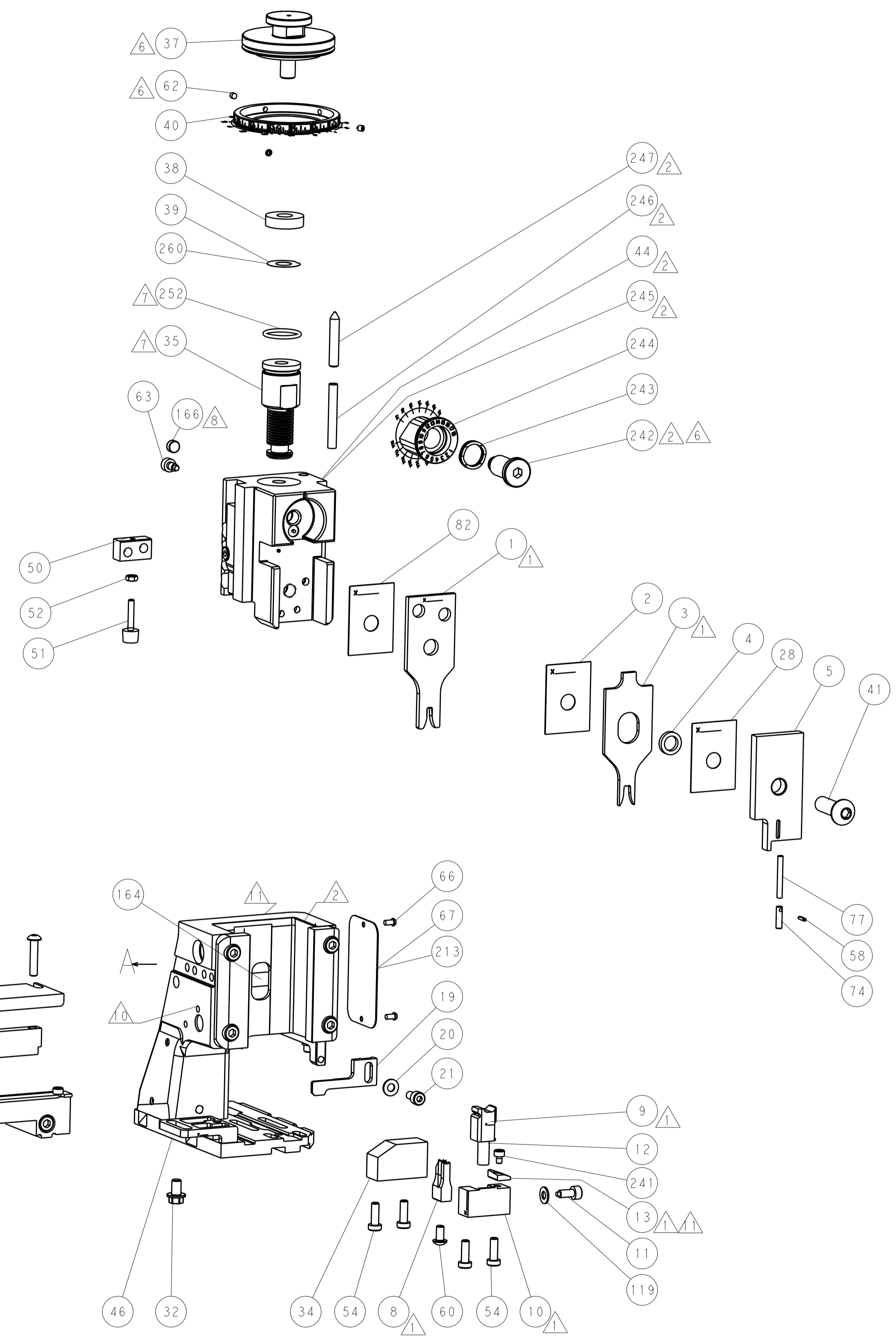
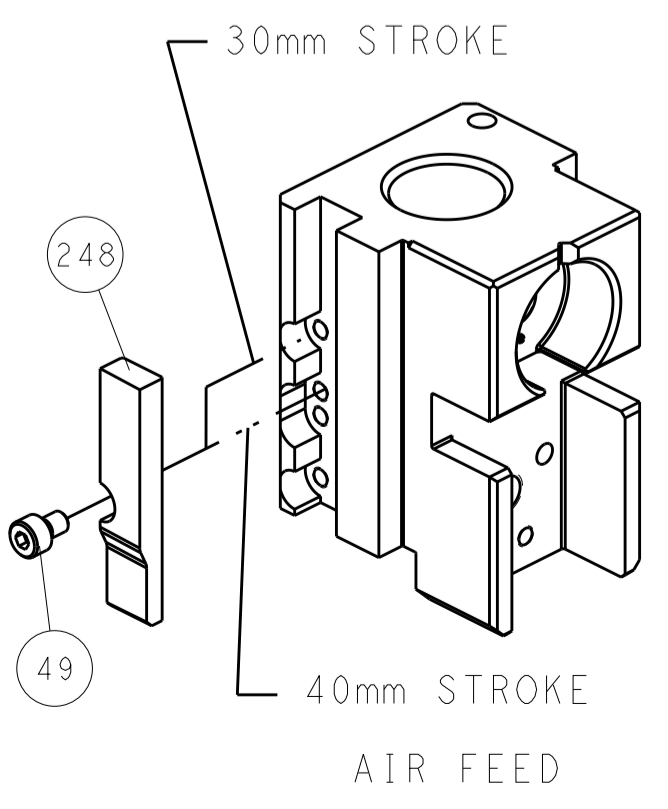
FEED TYPE PNEUMATIC



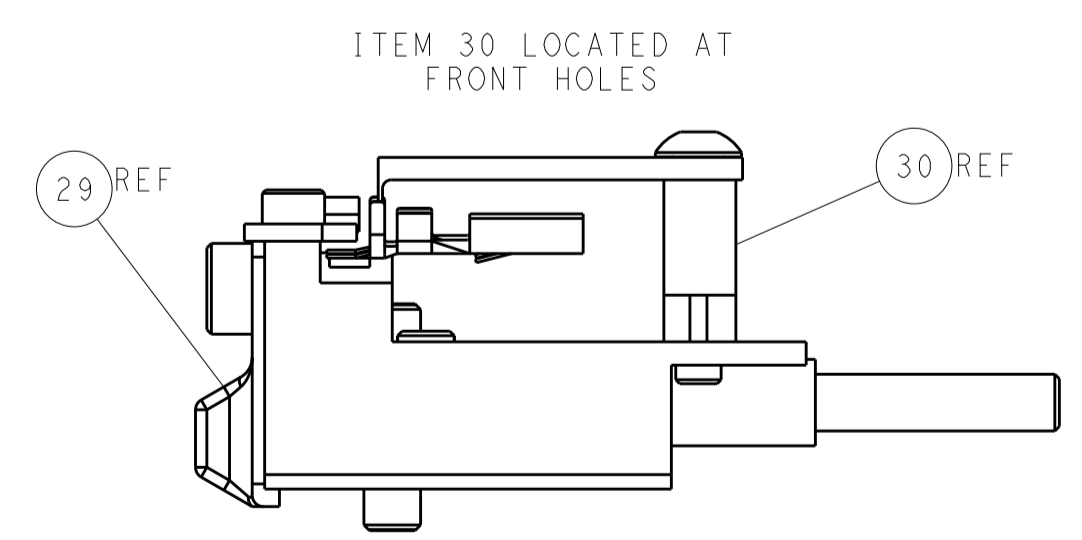
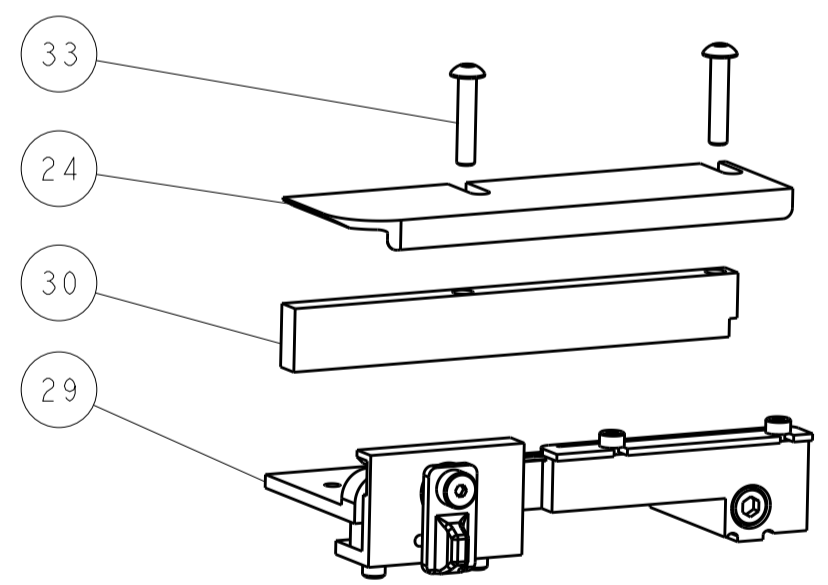
SERVO LATCH PLATE



CAM POSITION



TERMINAL SUPPORT LOCATION



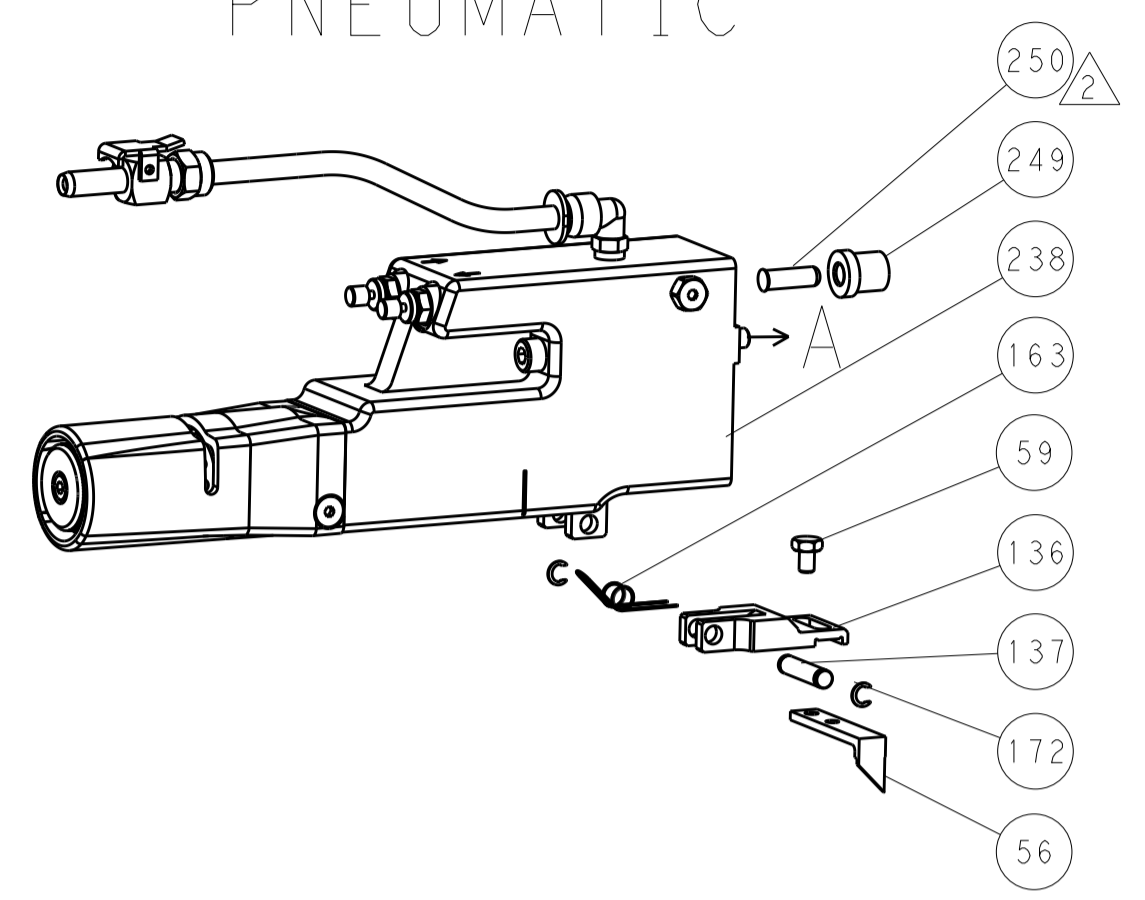
FEED TRACK POSITION
GUIDE BY INSULATION BARREL

ATLANTIC VERSION
 Shown on sheets 1 of 4 & 2 of 4
 (Pacific version shown on sheets 3 of 4 & 4 of 4)

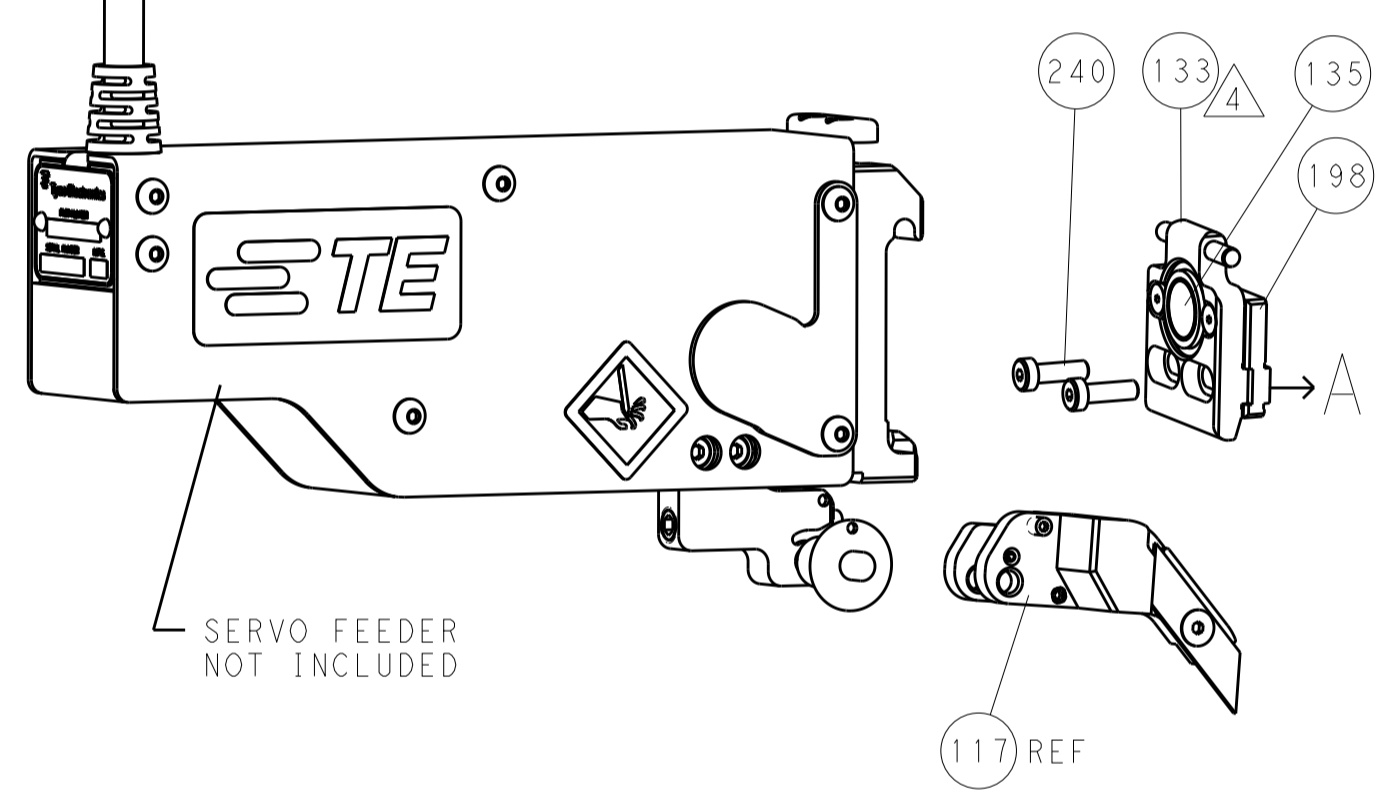
DIMENSIONS: mm 		TOLERANCES UNLESS OTHERWISE SPECIFIED: 0 PLC ±.5 1 PLC ±0.5 2 PLC ±0.13 3 PLC ±0.013 4 PLC ±0.001 ANGLES ±.1		DWN L. ZHANG 05SEP2012 CHK L. ZHANG 05SEP2012 APVD S. XI 05SEP2012 PRODUCT SPEC APPLICATION SPEC WEIGHT Customer Accessible Production Drawing		NAME Ocean Side Feed Applicator SIZE CAGE CODE DRAWING NO. A1 00779 ©=2151245 SCALE 1:2 SHEET 2 OF 4 REV A1		TE Connectivity Harrisburg, PA 17105-3608	
-----------------------	--	--------------------------------------------------------------------------------------------------------------------------------	--	------------------------------------------------------------------------------------------------------------------------------------------------------------------	--	-------------------------------------------------------------------------------------------------------------------	--	----------------------------------------------	--

REVISONS		DATE	DWN	APVD
LOC	DIST			
A	66			
P	LTM	DESCRIPTION		
-	-	SEE SHEET 1	-	-

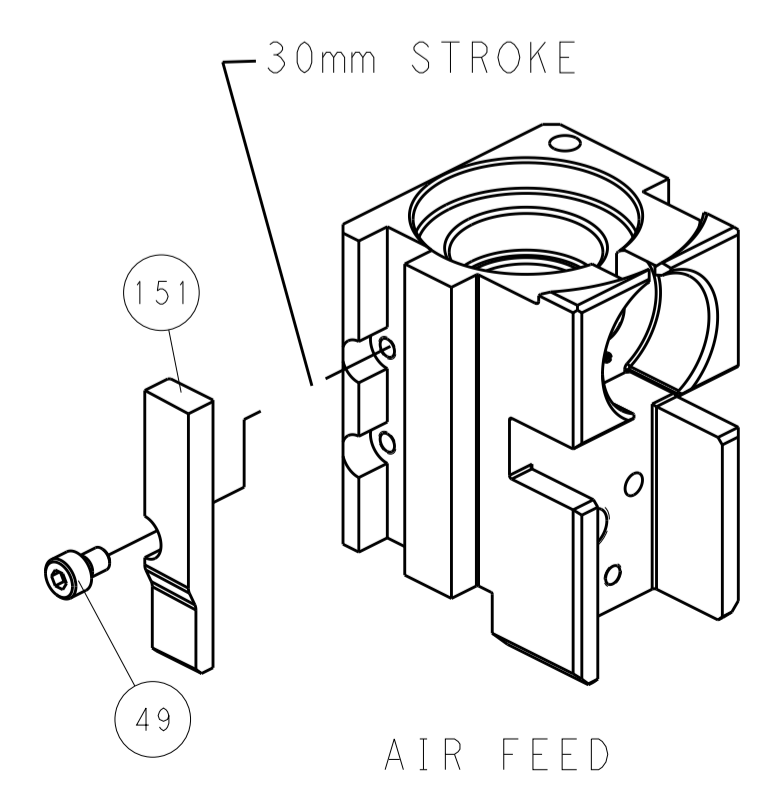
FEED TYPE PNEUMATIC



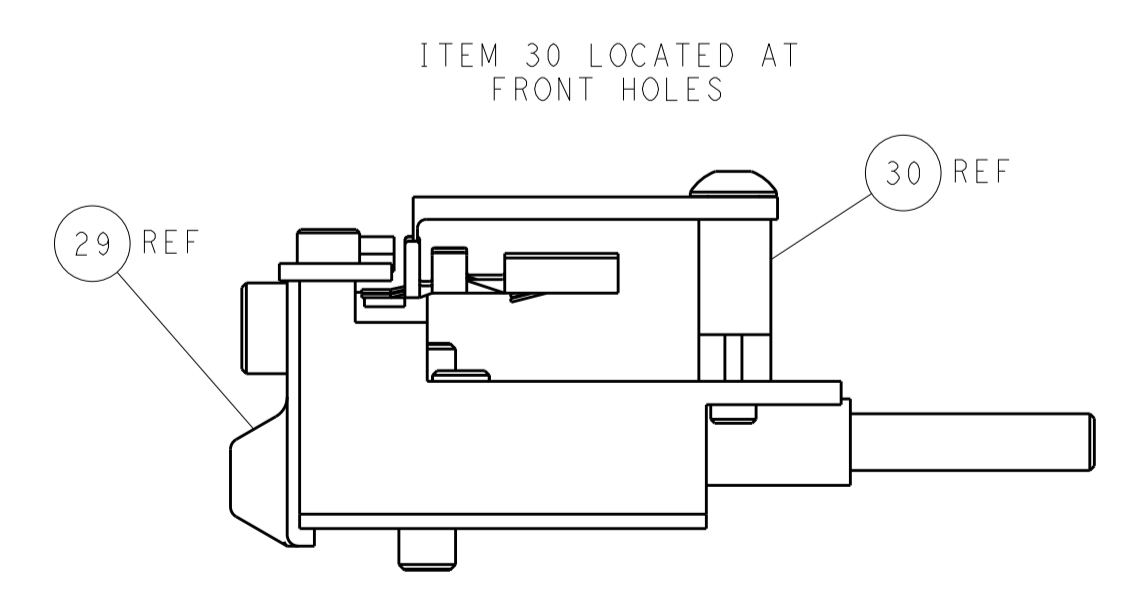
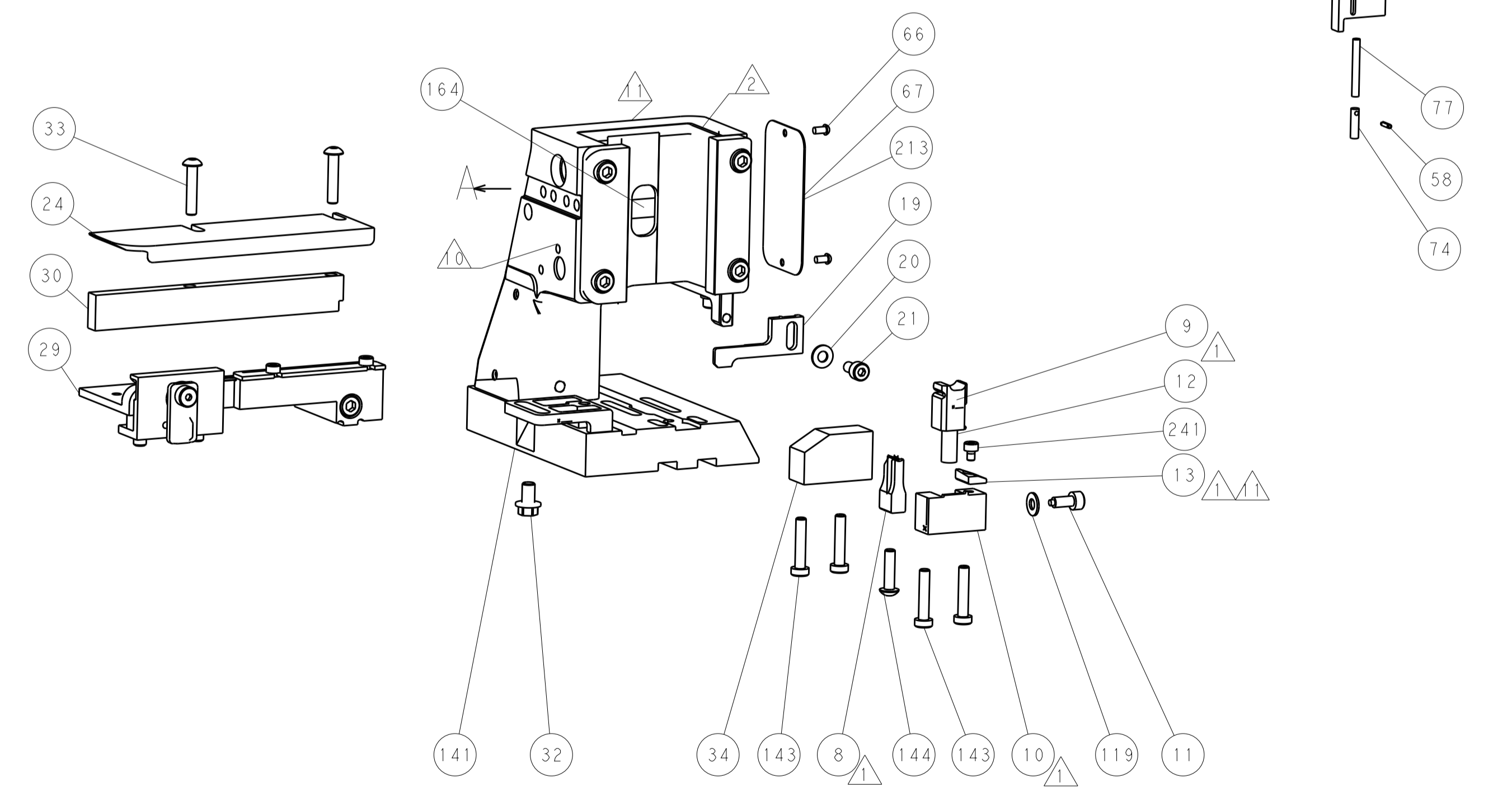
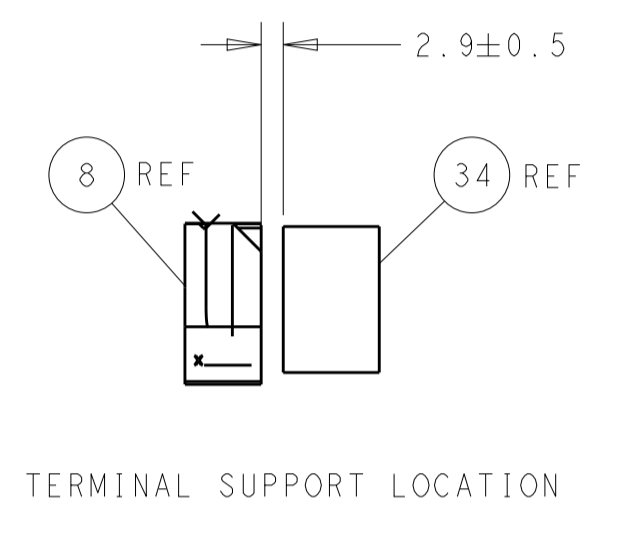
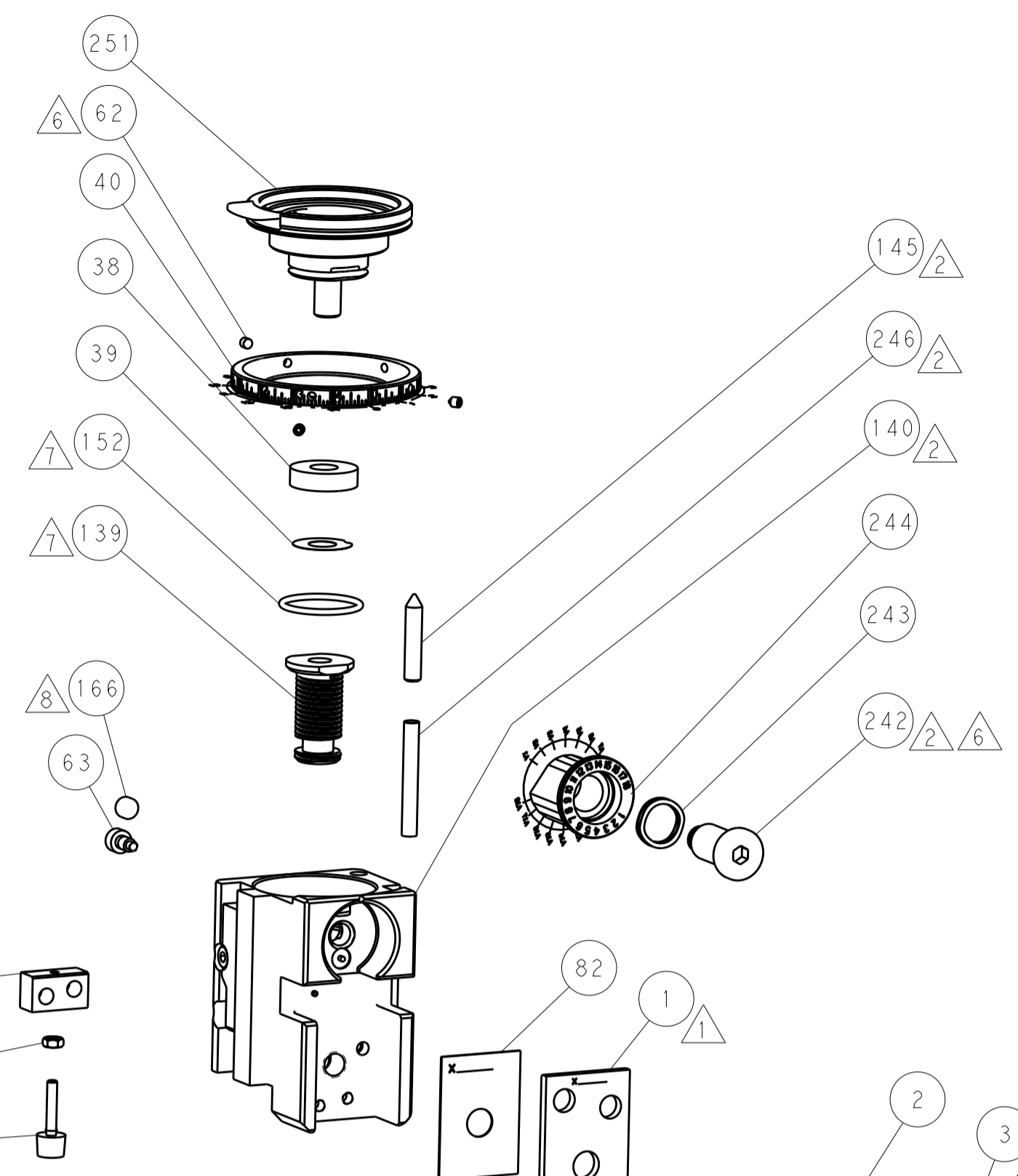
SERVO LATCH PLATE



CAM POSITION



AIR FEED



FEED TRACK POSITION GUIDE BY INSULATION BARREL

PACIFIC VERSION
 Shown on sheets 3 of 4 & 4 of 4
 (Atlantic version shown on sheets 1 of 4 & 2 of 4)

DIMENSIONS:		TOLERANCES UNLESS OTHERWISE SPECIFIED:		DWN 05SEP2012		CHK 05SEP2012		NAME	
mm	0 PLC ±0.5	1 PLC ±0.5	2 PLC ±0.13	3 PLC ±0.013	4 PLC ±0.001	ANGLES ±0.0001	FINISH	STE	TE Connectivity
MATERIAL								Harrisburg, PA 17105-3608	
								APVD S.XI 05SEP2012	Ocean Side Feed Applicator
								SIZE CAGE CODE DRAWING NO	RESTRICTED TO
								A1 00779 C=2151245	
								Customer Accessible Production Drawing	SCALE 1:2 SHEET 4 OF 4 REV A1