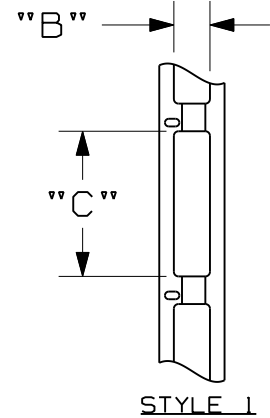
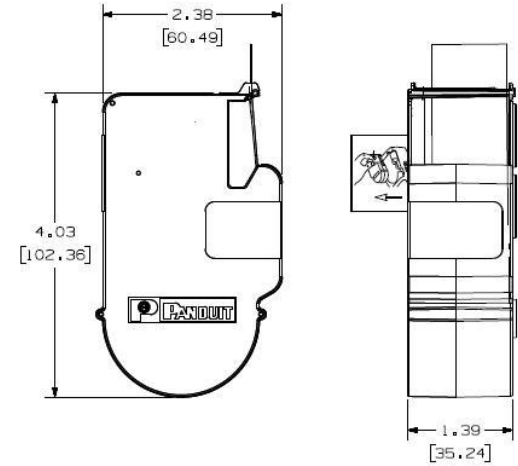


THIS COPY IS PROVIDED ON A RESTRICTED BASIS AND IS NOT TO BE USED IN ANY WAY DETRIMENTAL TO THE INTERESTS OF PANDUIT CORP.

PART NO.	PART DESCRIPTION	MATERIAL	"B"	"C"	LABELS PER ROLL
C189X047FNC	DESTRUCTIBLE POLYETHYLENE	GMDESPE	0.47 [ 11.9 ]	1.89 [ 48.0 ]	175

NOTES:  
1. DIMENSIONS IN [ ] ARE IN MILLIMETERS.



CAD FILENAME/LAYERS  
I00201BA-DC-C10817/00A

PANDUIT CORP. TINLEY PARK, ILLINOIS

CUSTOMER DDRAWING  
COMPONENT LABELS  
TAMPER EVIDENT C189X047FNC

UNLESS OTHERWISE SPECIFIED,  
DIMENSIONAL TOLERANCES ARE:  
(.X) ± .1    (.XXX) ± .025  
(.XX) ± .030    ANGLES ±

UNLESS OTHERWISE SPECIFIED,  
ALL DIMENSIONS ARE GIVEN  
IN INCHES, THIRD ANGLE PROJECTION.

DRAWN BY  
RVU

MAT'L:

SCALE  
FULL

DATE  
4/12/10

SEE TABLE

DRAWING NO.

C10817

DWG  
A  
SIZE

REV	DATE	BY	CHK	DESCRIPTION	ECN	R	CUST	SUP
0	4/12/10	RVU		DRAWING RELEASE	6014	R		