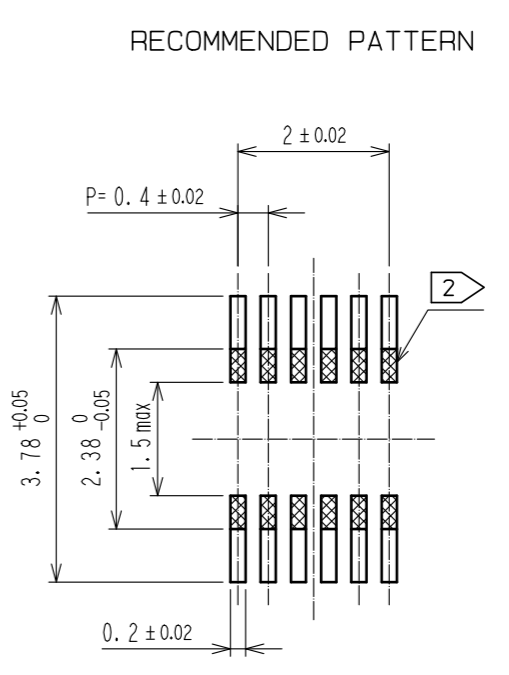
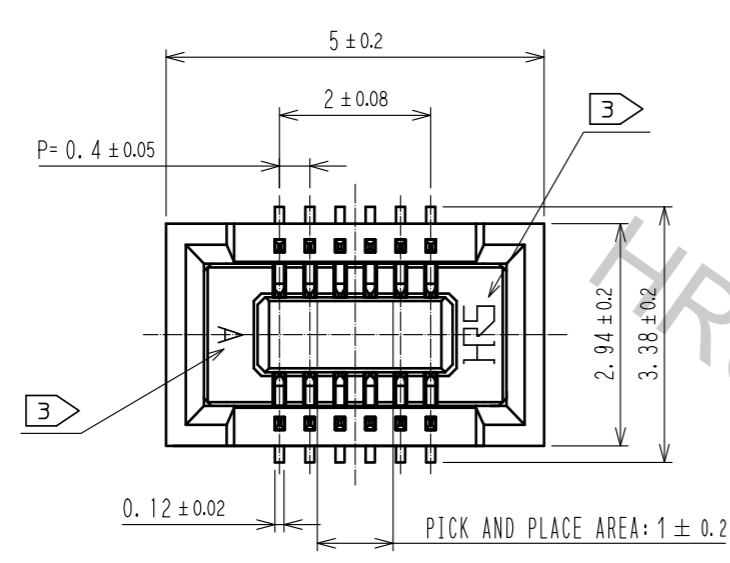
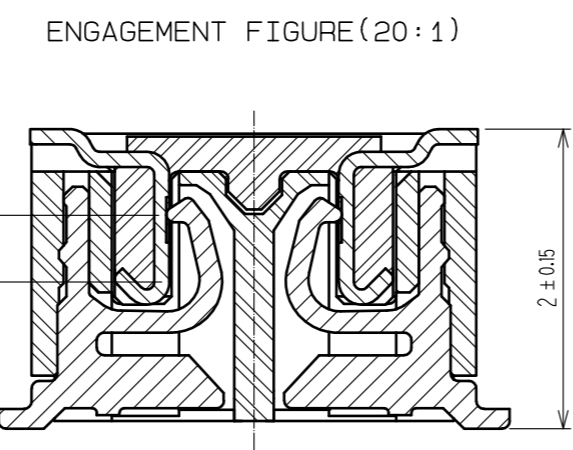
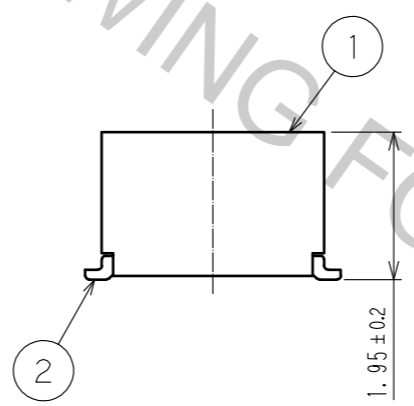
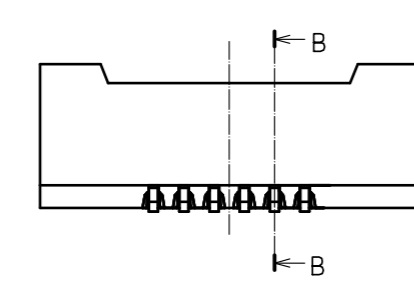


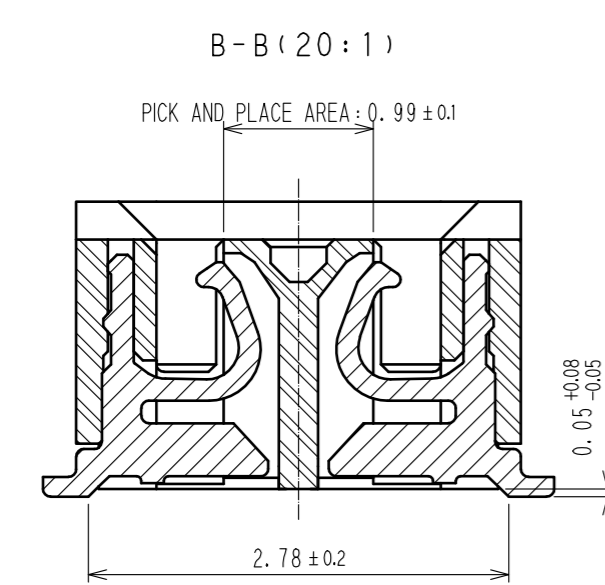
Apr.1.2017 Copyright 2017 HIROSE ELECTRIC CO., LTD. All Rights Reserved.



RECOMMENDED METAL MASK THICKNESS : 120#m
 RECOMMENDED METAL MASK OPENING RATIO : 80% FOR LEAD PAD



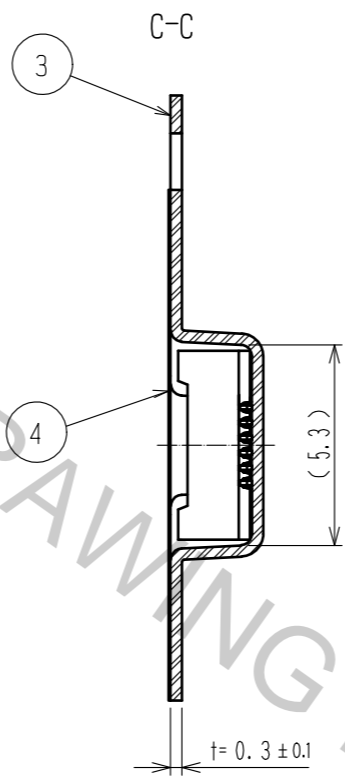
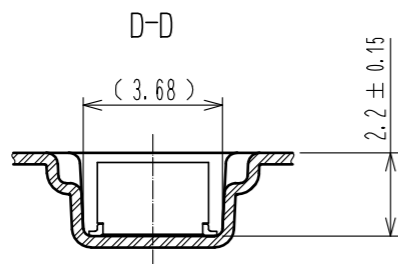
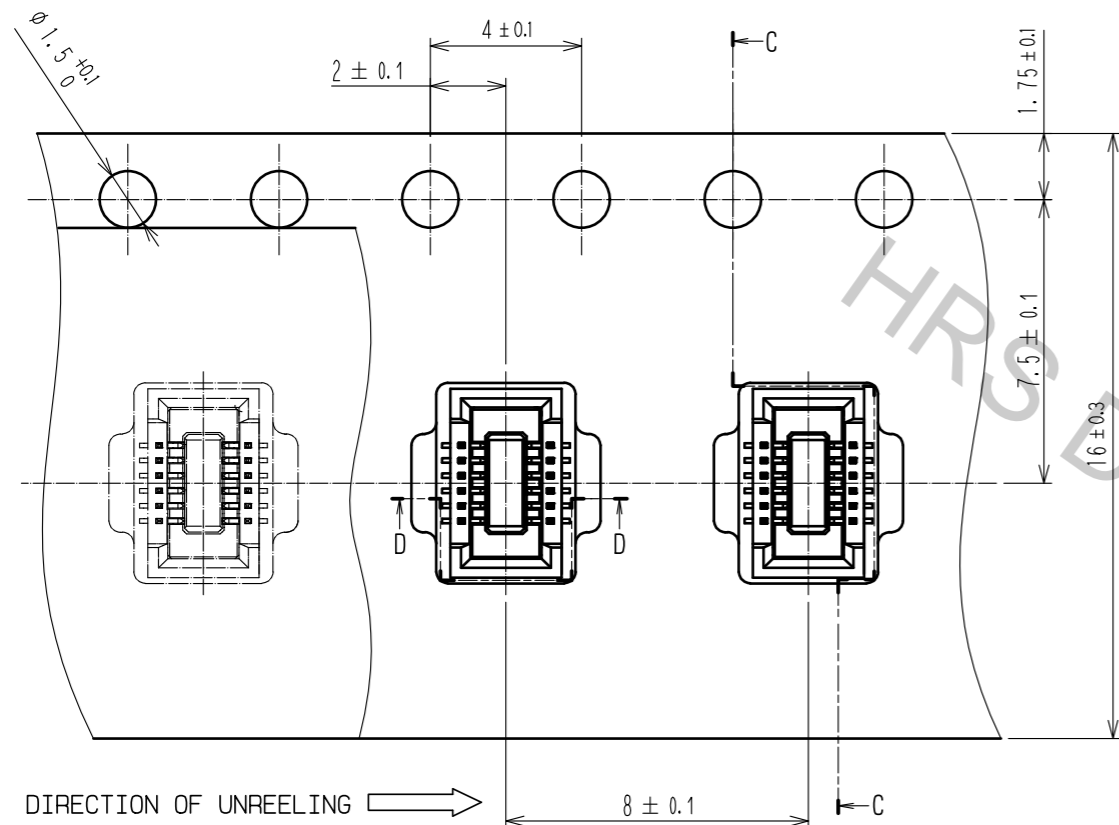
- NOTES) 1. ALL LEADS CO-PLANARITY SHALL BE 0.1MAX.
 2. IS NO PATTERN AREA OTHER THAN THE SAME CIRCUIT.
 3. HRS MARK AND CAV NO. IS INDICATED IN APPROX POSITION SHOWN.



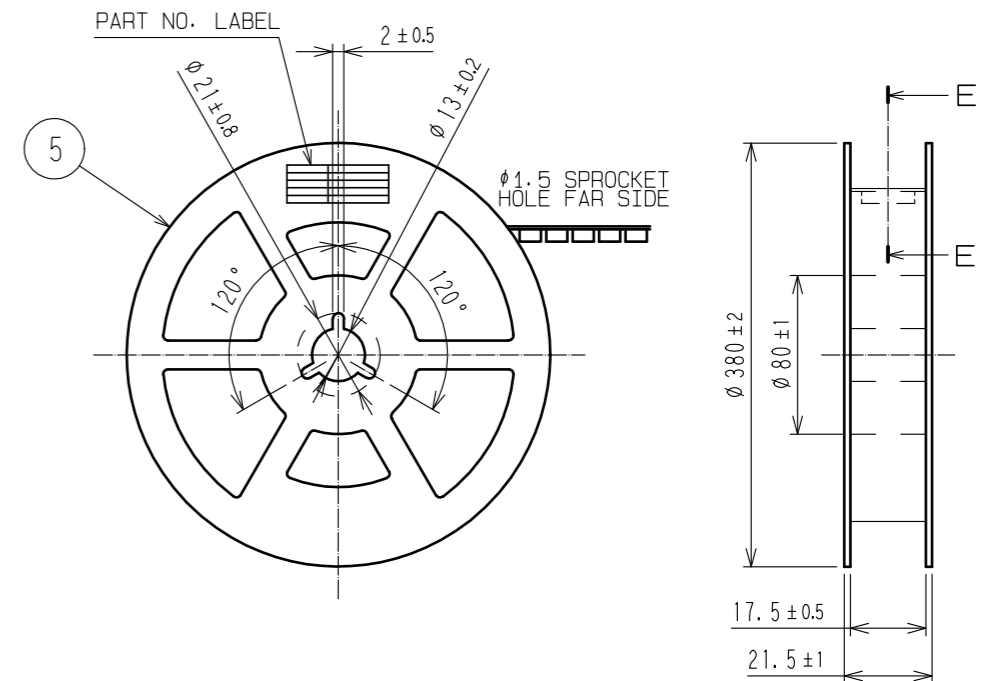
NO.	MATERIAL	FINISH . REMARKS	NO.	MATERIAL	FINISH . REMARKS
2	PHOSPHOR BRONZE	GOLD 0.05#m MIN UNDERPLATING:NICKEL 1#m MIN	6	PS	CLEAR(REINFORCEMENT COLLAR)
1	LCP	UL94V-0. BLACK	5	PS	BLACK
			4	POLYESTER	CLEAR(COVER TAPE)
			3	PS	CLEAR(EMBOSSSED CARRIER TAPE)

UNITS	SCALE	COUNT	DESCRIPTION OF REVISIONS	DESIGNED	CHECKED	DATE
mm	10: 1	△				
APPROVED : MO. ISHIDA			15. 10. 06	DRAWING NO. EDC-330342-58-58		
CHECKED : TS. MIYAZAKI			15. 10. 06	PART NO. DF40C(2.0)-12DS-0.4V(58)		
DESIGNED : TR. YUNOKI			15. 10. 06	CODE NO. CL684-4148-6-58		
DRAWN : YN. SAKAMOTO			15. 10. 06	1/2		

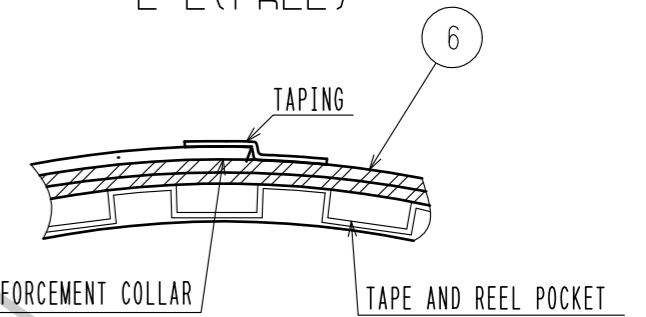
EMBOSED CARRIER TAPE DIMENSIONS (5:1)



STYLE AND DIMENSION OF REEL (FREE)



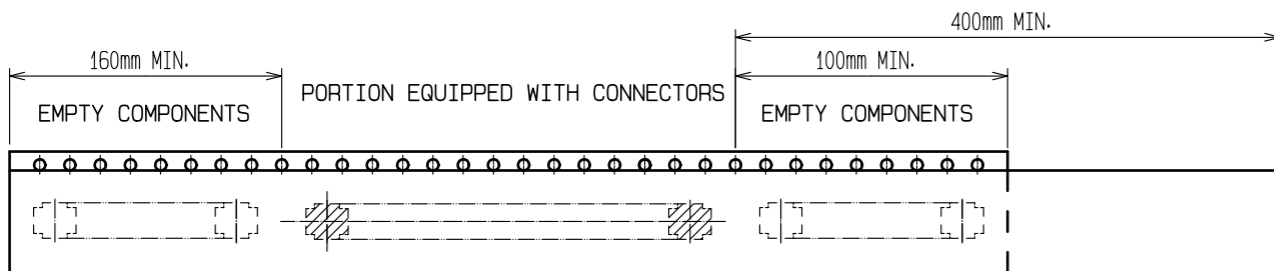
E-E (FREE)



DETAIL OF PART NO. LABEL

- SUPPLIER
- QUANTITY
- PART NO.
- CODE NO.
- DATE OF MANUFACTURED

製造年月日	** ** *
製品コード	CL684-4148-6-58
製品名	DF40C(2.0)-12DS-0.4V(58)
数量	1000
納入者	ヒロセ電機(株)



- NOTES)
4. PER REEL 1000 CONNECTORS.
 5. THE DIMENSIONS IN PARENTHESES ARE FOR REFERENCE.
 - 6 REFER TO JIS C 0806.
(IEC 60286-3, PACKING OF COMPONENTS FOR AUTOMATIC HANDLING)
 - 7 AFTER PACKAGING, ROLL 2 METERS OF THE REINFORCEMENT COLLAR TO OUTER CIRCUMFERENCE OF TAPE AND REEL POCKET, AND TAPE DOWN AT THE END THE COLLAR.

HRS	DRAWING NO.	EDC-330342-58-58
	PART NO.	DF40C(2.0)-12DS-0.4V(58)
	CODE NO.	CL684-4148-6-58
		2/2