

4

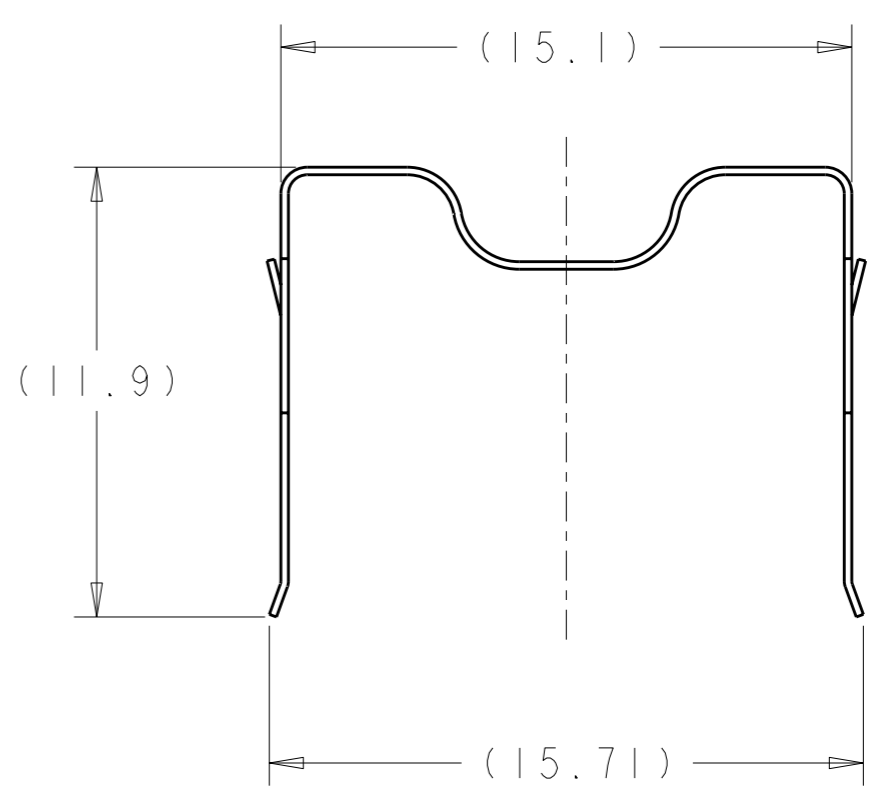
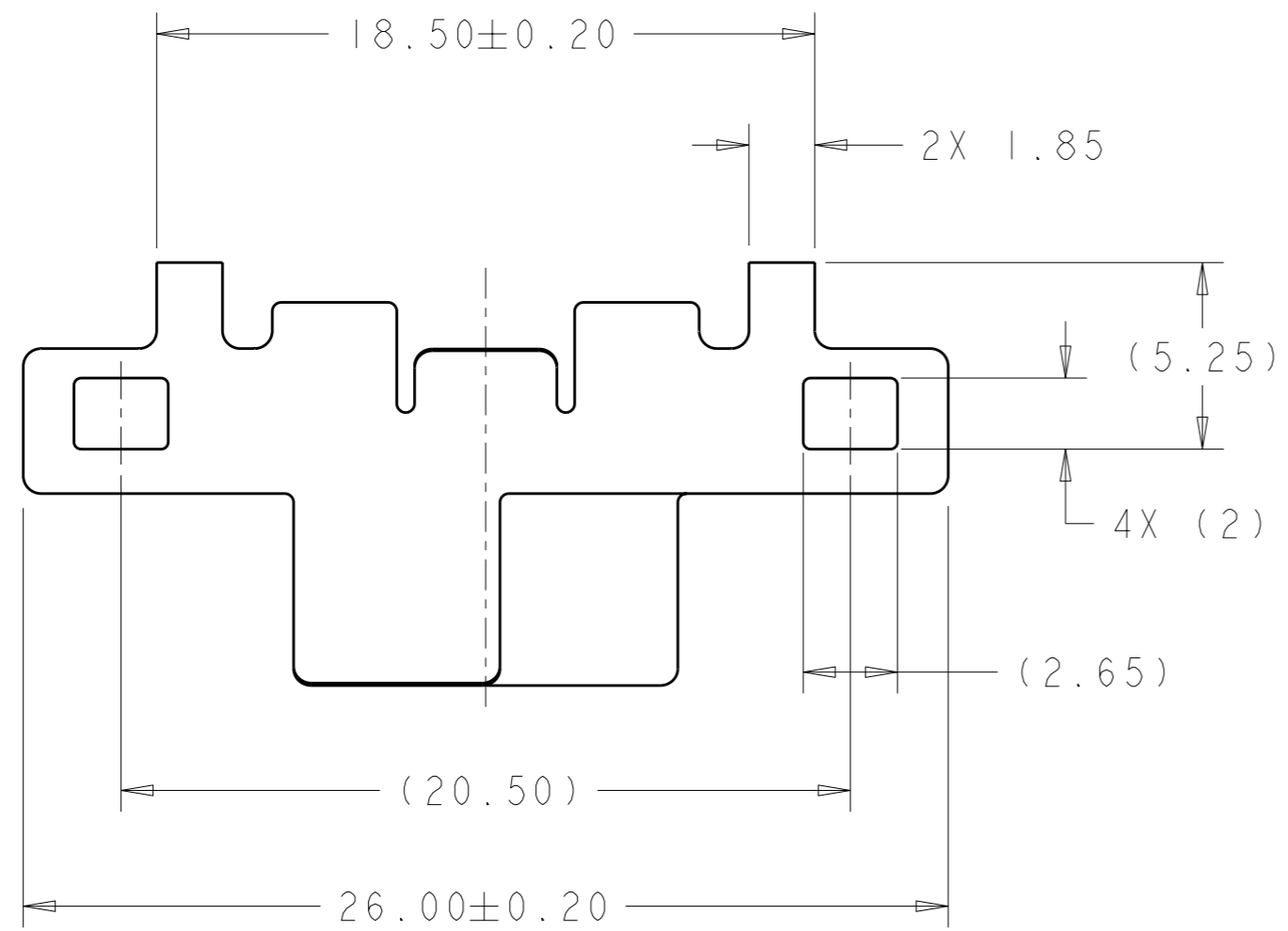
3

2


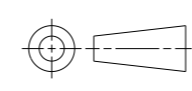
1

THIS DRAWING IS UNPUBLISHED. RELEASED FOR PUBLICATION 20  
 © COPYRIGHT 20 BY - ALL RIGHTS RESERVED.

LOC	DIST	REVISIONS					
		P	LTR	DESCRIPTION	DATE	DWN	APVD
GP	00		C	ECO-12-009760	14MAY2012	JJ	AC



TRAY	1367646-4
BAG	1367646-1
PACKAGE	PART NUMBER

THIS DRAWING IS A CONTROLLED DOCUMENT.		DWN P. KERLIN 11MAY2006	 TE Connectivity NAME HEAT SINK CLIP, DWDM SFP		
DIMENSIONS: mm		CHK E. BRIGHT 11MAY2006			
		APVD E. BRIGHT 11MAY2006			
TOLERANCES UNLESS OTHERWISE SPECIFIED:		PRODUCT SPEC			
0 PLC ±- 1 PLC ±- 2 PLC ±0.10 3 PLC ±- 4 PLC ±- ANGLES ±-		APPLICATION SPEC	SIZE		
MATERIAL STAINLESS STEEL		FINISH -	114-13178		CAGE CODE
			WEIGHT -		DRAWING NO
			CUSTOMER DRAWING		A300779
			SCALE 5:1		RESTRICTED TO
			SHEET 1 OF 1		REV C