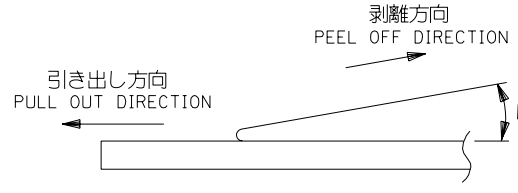


3. トップテープの剥離強度: $0.1 \sim 1.3N$ ($10.2 \sim 130gf$)
 <剥離速度: $300mm/min$ (参考)> (剥離方向は下図参照)
 PEEL-OFF FORCE OF TOP TAPE: $0.1 \sim 1.3 N$ ($10.2 \sim 130gf$)
 (PEELING DIRECTION AS SHOWN IN FOLLOWING FIG.)
 <PEEL-OFF SPEED: $300mm/min$ (REF.)>

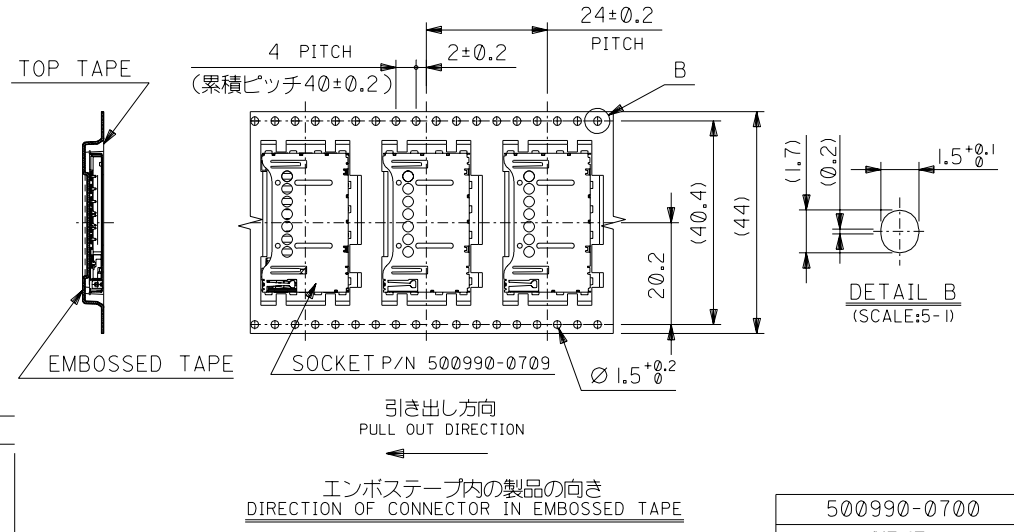
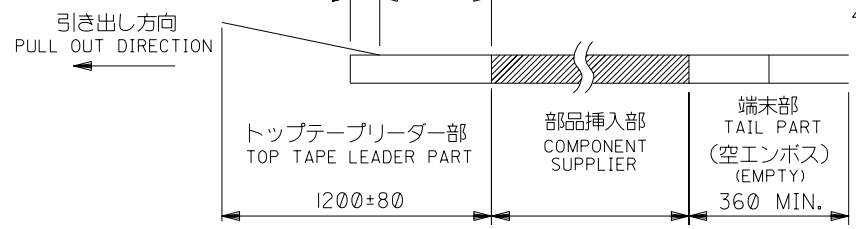


4. 材料 キャリアテープ: ポリプロピレン (PP)
 トップテープ: PET, PE, PEF
 リール: ポリスチレン (PS) <リサイクル材を含む>
 MATERIAL CARRIER TAPE: POLYPROPYLENE
 TOP TAPE: PET, PE, PEF
 REEL: POLYSTYRENE <RECYCLE MATERIAL CONTAINED>

注記 NOTES

- 梱包数量: 900 個/リール
NUMBER OF CONNECTORS: 900PCS/REEL
- リードテープ長さ
LEAD TAPE LENGTH

トップテープ未接着部 TOP TAPE NON-BONDED PART 25 ± 25
 トップテープ接着部 (空エンボス) TOP TAPE BONDED PART (EMPTY) $25 \sim 30$ PCS.



500990-0700
 製品番号
 MATERIAL No.

DO NOT SCALE DRAWING

EC NO. DRAWN: CHK: APPR:	EC NO. DRAWN: CHK: APPR:	EC NO. DRAWN: CHK: APPR:	EC NO. DRAWN: CHK: APPR:	EC NO. DRAWN: CHK: APPR:	REV	MATERIAL 材料 SEE CHART	GENERAL TOLERANCES: (UNLESS SPECIFIED) 一般公差	SCALE 1-1	DESIGN UNITS <input checked="" type="checkbox"/> mm <input type="checkbox"/> INCH	THIRD ANGLE PROJECTION <input type="checkbox"/> mm <input type="checkbox"/> INCH	SHT	REV
					0	FINISH 仕上げ SEE CHART	10 UNDER 未満 ±0.2	DRAWN BY & DATE M. SHINYAMA '03/12/03	TITLE: EMBOSSSED TAPE PACKAGE FOR 500990-0709 (RS MMC SOCKET NORMAL TYPE) -LEAD FREE-	DIMENSIONS: <input type="checkbox"/> mm <input type="checkbox"/> INCH <input checked="" type="checkbox"/> mm ONLY	REVISE ON CAD ONLY	MATERIAL No. 500990-0700
					WIRE RANGE 適用電線範囲	10 OVER 30 UNDER 未満 ±0.25	CHECKED BY & DATE H. Takase '03/12/03					
					INS. RANGE 被覆外径	30 OVER 以上 ±0.3	APPROVED BY & DATE Y. Ito '03/12/03					
						ANGLE 角度	±3°	CAD FILENAME SD-500990-001.S01	MATERIAL No. SEE TABLE	DRAWING No. SD-500990-001	SHEET No. 1 OF 1	SIZE B

THIS DRAWING CONTAINS INFORMATION THAT IS PROPRIETARY TO MOLEX INCORPORATED AND SHOULD NOT BE USED WITHOUT WRITTEN PERMISSION.

DWG. NO. SD-500990-002

F

D

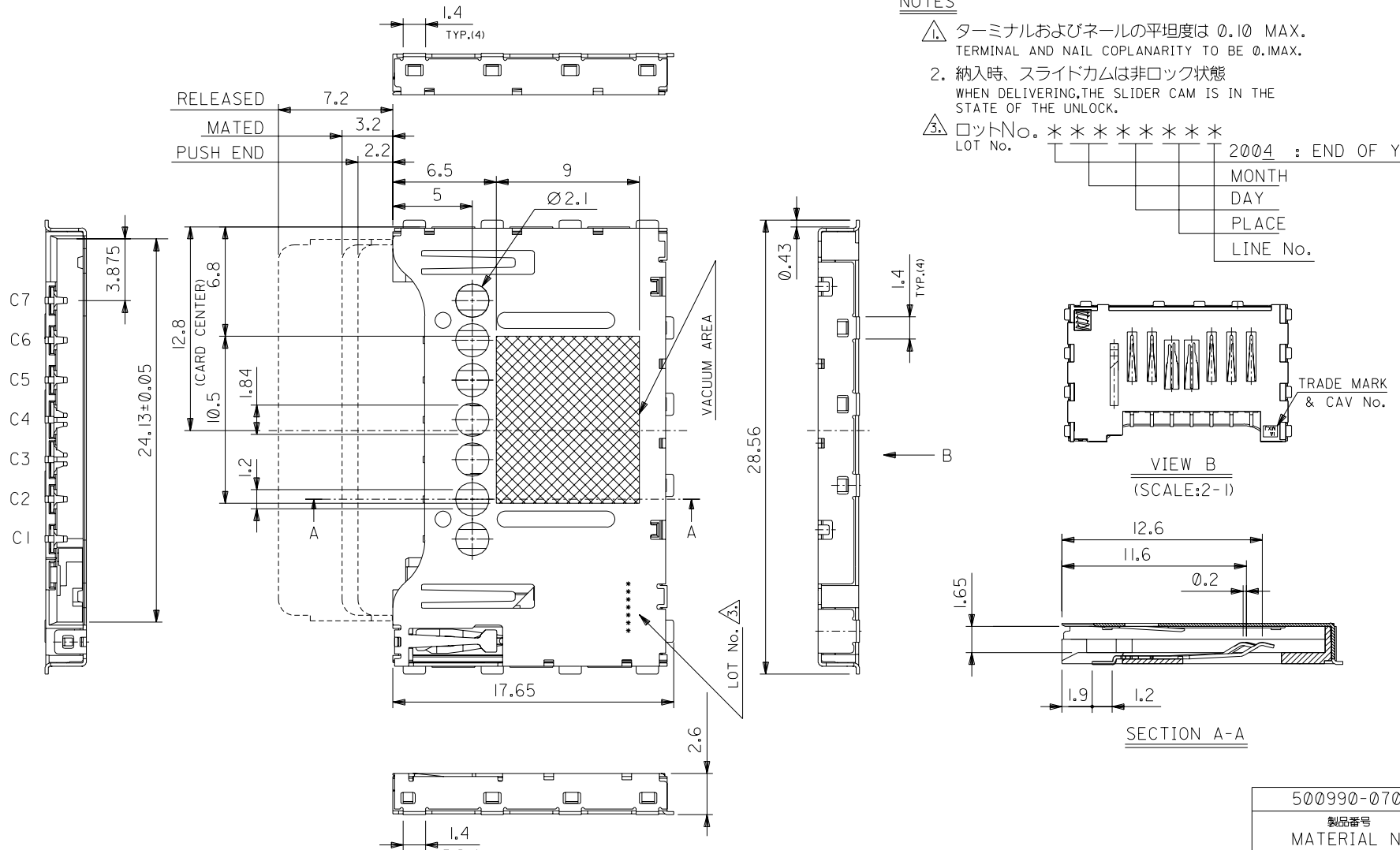
V

C

B

DO NOT SCALE DRAWING

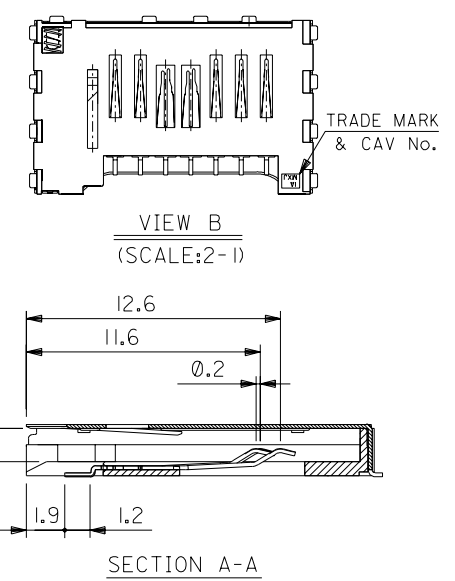
8 7 6 5 4 3 2 1



NOTES

- ① ターミナルおよびネールの平坦度は 0.10 MAX.
TERMINAL AND NAIL COPLANARITY TO BE 0.1MAX.
2. 納入時、スライドカムは非ロック状態
WHEN DELIVERING, THE SLIDER CAM IS IN THE STATE OF THE UNLOCK.
- ③ ロットNo. * * * * *
LOT No. 2004 : END OF YEAR

2004	: END OF YEAR
	MONTH
	DAY
	PLACE
	LINE No.



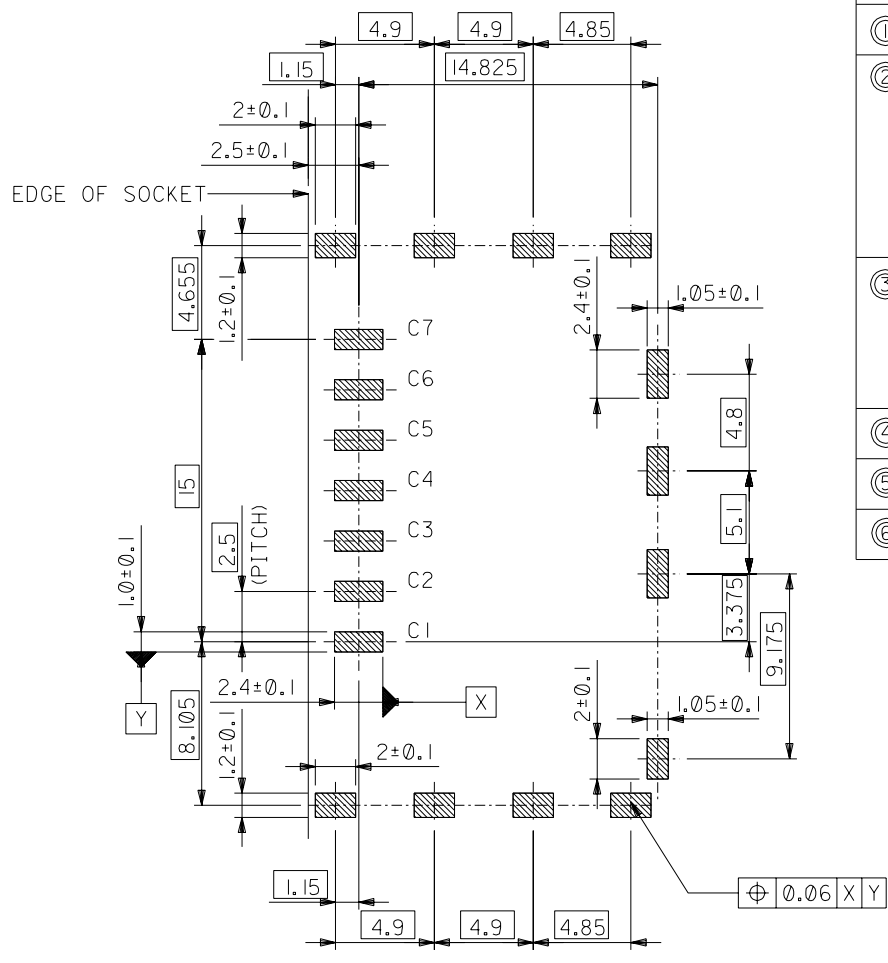
500990-0709
製品番号
MATERIAL No.

EC NO. DRWN: CHK: APPR:	EC NO. DRWN: CHK: APPR:	EC NO. DRWN: CHK: APPR:	EC NO. DRWN: CHK: APPR:	EC NO. DRWN: CHK: APPR:	EC NO. J2004-4486 DRWN: M. SHINYAMA 04/05/25 CHK: H. TAKASE APPR: Y. ITO	RELEASD 0	DESCRIPTION SEE CHART	MATERIAL 材料 SEE CHART	GENERAL TOLERANCES: (UNLESS SPECIFIED) 一般公差	SCALE 4-1	DESIGN UNITS mm INCH	THIRD ANGLE PROJECTION	DIMENSIONS: <input type="checkbox"/> mm <input type="checkbox"/> INCH <input checked="" type="checkbox"/> mm ONLY	SHT REV	REV ON CAD ONLY
							FINISH 仕上り SEE CHART		10 UNDER 未満 ±0.2	DRAWN BY & DATE M. SHINYAMA 03/12/01			TITLE: RS MMC SOCKET NORMAL TYPE HOUSING ASS'Y		
							WIRE RANGE 適用電線範囲		10 OVER 30 UNDER 以上 未満 ±0.25	CHECKED BY & DATE H. Takase 03/12/01			MOLEX MOLEX INCORPORATED		
							INS. RANGE 被覆外径		30 OVER 以上 ±0.3	APPROVED BY & DATE Y. Ito 03/12/01			MATERIAL NO. SEE TABLE	DRAWING NO. SD-500990-002	SHEET NO. 1 OF 2
								ANGLE 角度 ±3°		CAD FILENAME SD-500990-002.S01			THIS DRAWING CONTAINS INFORMATION THAT IS PROPRIETARY TO MOLEX INCORPORATED AND SHOULD NOT BE USED WITHOUT WRITTEN PERMISSION.		
															SIZE B

8 7 6 5 4 3 2 1 EN-02J(097) MXJ-54

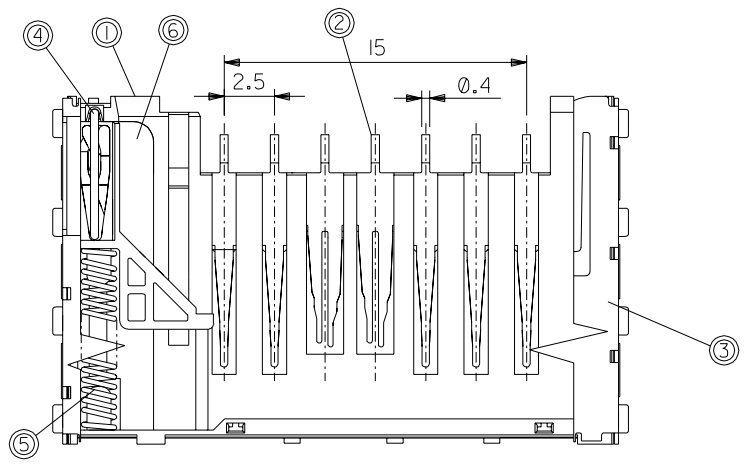
DWG. NO. SD-500990-002

8 7 6 5 4 3 2 1



推奨基板寸法
RECOMMENDED P.C. BOARD LAYOUT

番号 No.	部品 PARTS	材質/仕上げ MATERIAL/REMARKS
①	ハウジング HOUSING	LCP, UL94V-0, 色:黒 LIQUID CRYSTAL POLYMER, UL94V-0, BLACK
②	ターミナル TERMINAL	銅合金(燐青銅 C5210R-EH, $t=0.2$) COPPER ALLOY (PHOSPHOR BRONZE C5210R-EH, $t=0.2$) めっき仕様 接点部:金めっき 0.6マイクロメートル以上 PLATING CONTACT: Au PLATING, 0.6 MICRO METER MINIMUM 半田付け部:錫めっき 1~3マイクロメートル以上 SOLDER: Sn PLATING, 1~3 MICRO METER MINIMUM 下地めっき:ニッケルめっき 2マイクロメートル以上 UNDER PLATING: Ni PLATING, 2 MICRO METER MINIMUM
③	メタルシェル METAL SHELL	ステンレス鋼, $t=0.2$. STAINLESS STEEL(SUS304), $t=0.2$, SOLDERABILITY IMPROVEMENT COAT めっき仕様 下地めっき:ニッケルめっき 2マイクロメートル以上 PLATING UNDER PLATING: Ni PLATING, 2 MICRO METER MINIMUM 半田付け処理(金, パラジウムコート) SOLDERABILITY IMPROVEMENT COAT(Au & Pd COAT)
④	カムピン CAM PIN	ステンレス鋼 STAINLESS STEEL (SUS304)
⑤	スプリング COIL SPRING	ピアノ線, ニッケルめっき PIANO WIRE (SWP), NICKEL PLATING
⑥	スライドカム SLIDER CAM	LCP, UL94V-0, 色:黒 LIQUID CRYSTAL POLYMER, UL94V-0, BLACK



DO NOT SCALE DRAWING

EC NO. DRAWN: CHK'g APPR:	EC NO. DRAWN: CHK'g APPR:	EC NO. DRAWN: CHK'g APPR:	EC NO. DRAWN: CHK'g APPR:	EC NO. DRAWN: CHK'g APPR:	EC NO. DRAWN: CHK'g APPR:	DESCRIPTION MATERIAL 材料 SEE CHART	GENERAL TOLERANCES: (UNLESS SPECIFIED) 一般公差	SCALE 4-1	DESIGN UNITS <input checked="" type="checkbox"/> mm <input type="checkbox"/> INCH	THIRD ANGLE PROJECTION	DIMENSIONS: <input type="checkbox"/> mm <input type="checkbox"/> INCH <input checked="" type="checkbox"/> mm ONLY	SHT REV
						FINISH 仕上げ SEE CHART	10 UNDER 未滿	±0.2	DRAWN BY & DATE M. SHINYAMA '03/12/01	TITLE: RS MMC SOCKET NORMAL TYPE HOUSING ASS'Y -LEAD FREE-		
						WIRE RANGE 適用電線範囲	10 OVER 30 UNDER 未滿	±0.25	CHECKED BY & DATE Y. Takase '03/12/01			
						INS. RANGE 被覆外径	30 OVER 以上	±0.3	APPROVED BY & DATE Y. Ota '03/12/01	MOLEX INCORPORATED		
						REV 0	ANGLE 角度	±3°	CAD FILENAME SD-500990-002.S02	MATERIAL NO. SEE TABLE	DRAWING NO. SD-500990-002	SHEET NO. 2 OF 2
							THIS DRAWING CONTAINS INFORMATION THAT IS PROPRIETARY TO MOLEX INCORPORATED AND SHOULD NOT BE USED WITHOUT WRITTEN PERMISSION.				SIZE B	