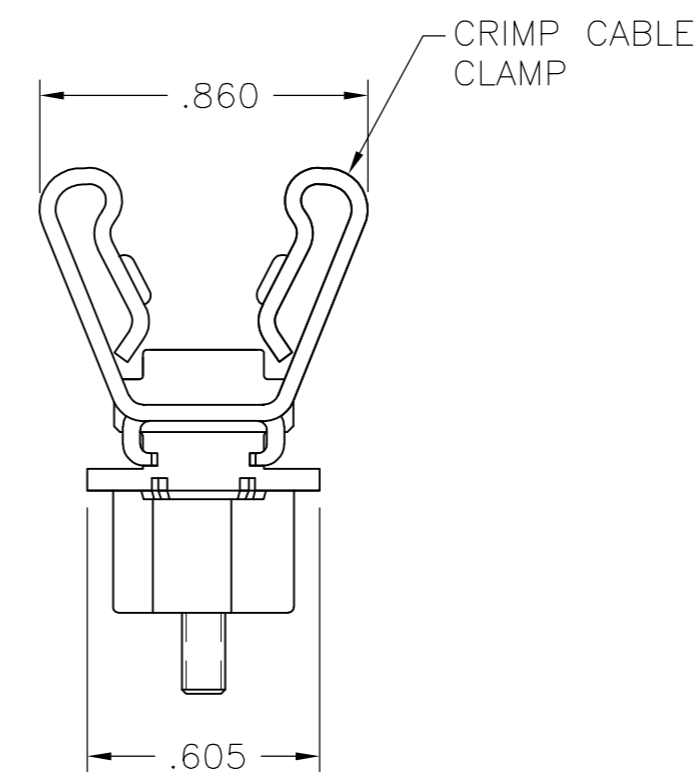
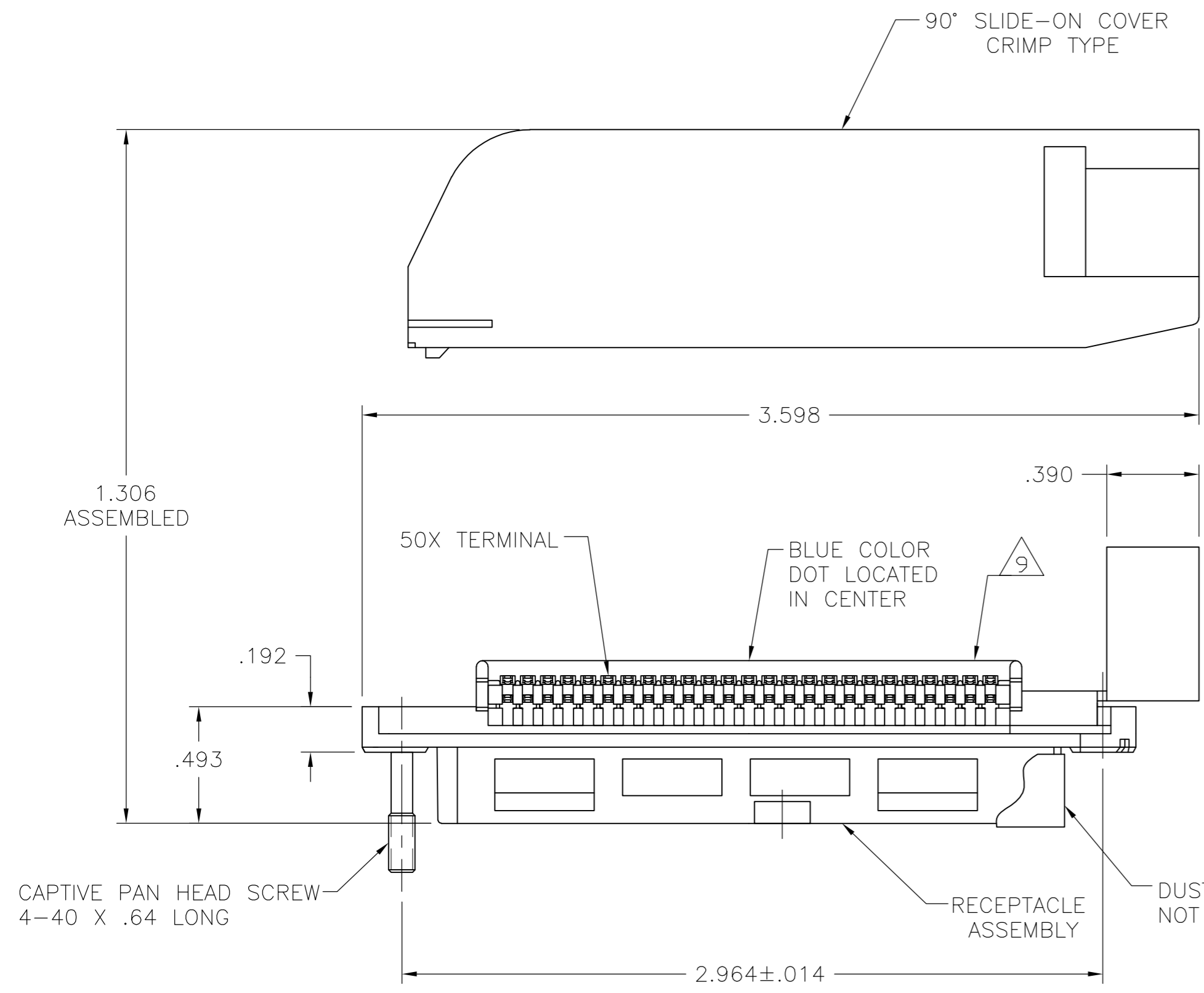
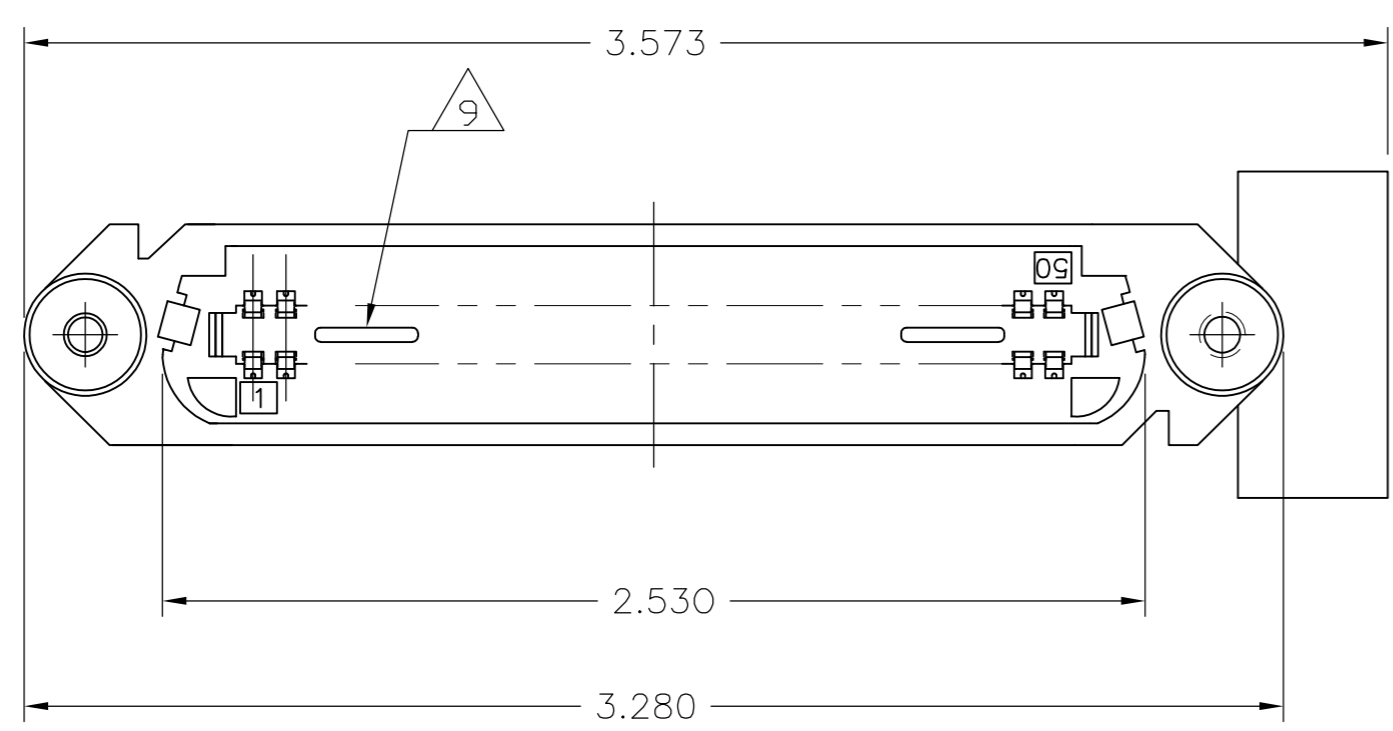


THIS DRAWING IS UNPUBLISHED. RELEASED FOR PUBLICATION  
 © COPYRIGHT BY TYCO ELECTRONICS CORPORATION. ALL RIGHTS RESERVED.

LOC	DIST	REVISIONS					
GP	00	P	LTR	DESCRIPTION	DATE	DWN	APVD
		C		REVISED PER ECO-08-007327	02OCT08	BM	WM



1. THE CONTACT SURFACES OF THE TERMINALS ARE COATED WITH LUBRICANT.
- 2 MATERIAL: HOUSING & SLIDE-ON COVER: POLYPHENYLENE. CABLE CLAMP & SCREW: ZINC PLATED STEEL. TERMINAL - HIGH STRENGTH COPPER ALLOY PLATED WITH EITHER .000030 MIN GOLD OR GOLD FLASH OVER PALLADIUM NICKEL PLATE, .000030 MIN TOTAL ON MATING SURFACE, .000050 MIN NICKEL UNDERPLATE OVER ENTIRE TERMINAL. DUST COVER: POLYETHYLENE.
3. WIRE SIZE: 24 & 26 AWG SOLID OR 24 AWG 7 STRANDS OF COPPER CONDUCTORS. MAX INSULATION DIAMETER OF .045 IS ACCEPTABLE FOR MOST APPLICATIONS.
4. CENTER-TO-CENTER SPACING OF TERMINALS IS .085 NOMINAL.
5. CABLE CLAMP & SCREW ARE ASSEMBLED TO CONNECTOR BEFORE SHIPMENT.
- 6 ALL DIMENSIONS ARE MAXIMUM UNLESS OTHERWISE SPECIFIED.
7. COVER SHIPPED UNASSEMBLED WITH CABLE CLAMP UNCRIMPED.
8. KIT SHIPPED BULK PACKAGED.
- 9 CORING MAY OR MAY NOT APPEAR AND IS AT THE DISCRETION OF AMP INCORPORATED.



THIS DRAWING IS A CONTROLLED DOCUMENT.		DWN B. MCMASTER 06JAN06	Tyco Electronics Corporation Harrisburg, PA 17105-3608	
DIMENSIONS: INCHES		CHK W. MILLHIMES 06JAN06	NAME	
TOLERANCES UNLESS OTHERWISE SPECIFIED:		APVD W. MILLHIMES 06JAN06	RECEPTACLE ASSEMBLY, 50 POSITION, B SLOT, CRIMP TYPE, SCREW & 90 DEGREE COVER, CHAMP-LOK	
0 PLC ± -	1 PLC ± -	PRODUCT SPEC	SIZE	RESTRICTED TO
2 PLC ± -	3 PLC ± -	APPLICATION SPEC	A2	-
4 PLC ± -	ANGLES ± -	WEIGHT	CAGE CODE	DRAWING NO
MATERIAL	FINISH	CUSTOMER DRAWING	00779	C=5553212
2	2	SCALE	2:1	SHEET 1 of 1
			REV	C

5553212