

Features

- Active Mixer with Conversion Gain
- No External LO Driver Necessary
- Low LO Drive Level Required
- RF and LO Ports May Be Driven Single-ended
- Single 5-V Supply Voltage
- High LO-RF Isolation
- Broadband Resistive 50- Ω Impedances on All Three Ports
- Small SSO16 Package

Applications

- Digital Communication Systems
- 2200 MHz to 2700 MHz Transceivers for Base Stations

Electrostatic sensitive device.
Observe precautions for handling.

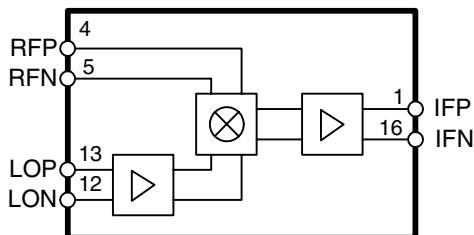


Description

The T0782 is a high-linearity active mixer which is manufactured using Atmel's advanced Silicon-Germanium technology. This mixer features a frequency range of 2200 MHz to 2700 MHz. It operates from a single 5-V supply and provides 10 dB of conversion gain while requiring only 0 dBm input to the integrated LO driver. An IF amplifier is also included.

The T0782 incorporates internal matching on each RF, IF and LO port to enhance ease of use and to reduce the external components required. The RF and LO inputs can be driven differentially or single-ended.

Figure 1. Block Diagram



2200-2700 MHz High Linearity SiGe Active Receive Mixer

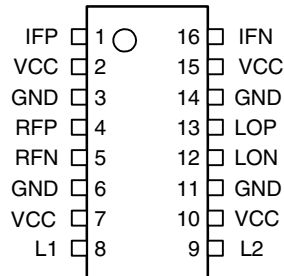
T0782

Preliminary



Pin Configuration

Figure 2. Pinning SSOP16



Pin Description

Pin	Symbol	Function
1	IFP	IF positive output
2	VCC	5-V power supply
3	GND	Ground
4	RFP	RF positive input
5	RFN	RF negative input
6	GND	Ground
7	VCC	5-V power supply
8	L1	External inductor terminal
9	L2	External inductor terminal
10	VCC	5-V power supply
11	GND	Ground
12	LON	Local oscillator, negative input
13	LOP	Local oscillator, positive input
14	GND	Ground
15	VCC	5-V power supply
16	IFN	IF negative output

Absolute Maximum Ratings

All voltages are referred to GND

Parameters	Symbol	Value	Unit
Supply voltage	V_{CC}	5 to 6.0	V
LO input	LO_P, LO_N	10	dBm
IF input	RF_P, RF_N	15	dBm
Operating temperature	T_{OP}	-40 to +85	°C
Storage temperature	T_{stg}	-40 to +150	°C

Thermal Resistance

Parameter	Symbol	Value	Unit
Junction ambient	R_{thJA}	TBD	K/W

Electrical Characteristics

Test conditions: $V_{cc} = +5\text{ V}$, $T_{amb} = +25^\circ\text{C}$

RF input: -20 dBm at 2450 MHz

LO output: 0 dBm at 2250 MHz

No.	Parameters	Test Conditions / Pins	Pin	Symbol	Min.	Typ.	Max.	Unit	Type *
AC Performance									
	Frequency range			f	2200		2700	MHz	
	IF frequency range			F_{IF}	10	200	300	MHz	
	Output IP3	RF1 = RF2 = -17 dBm/ tone		IP3		15.5		dBm	
	Output P1dB					4.5		dBm	
	Conversion gain					10.5		dB	
	SSB noise figure					15.5		dB	
	RF return loss					14		dB	
	LO return loss					14		dB	
	IF return loss					14		dB	
	LO drive				-3	0	+3	dBm	
Isolation Performance									
	Leakage (LO-RF)					-30		dBm	
	Leakage (LO-IF)					-30		dBm	
Miscellaneous									
	Supply voltage			V_{CC}	4.75	5	5.25	V	
	Supply current			I_{CC}		150		mA	

*) Type means: A = 100% tested, B = 100% correlation tested, C = Characterized on samples, D = Design parameter

Typical Device Performance

Figure 3. Conversion Gain versus RF Frequency, $V_{CC} = 5.0\text{ V}$, LO = 0 dBm , $RF_{IN} = -20\text{ dBm}$, IF = 200 MHz

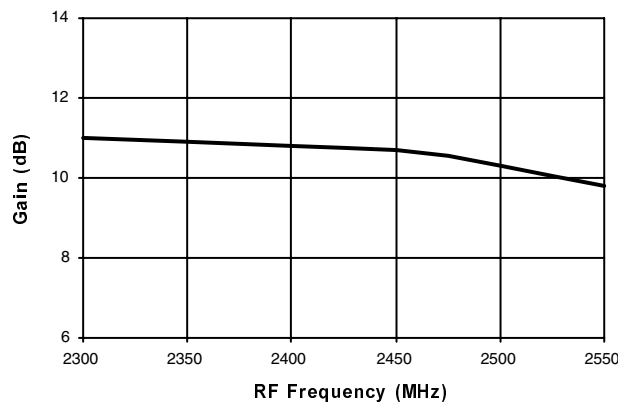


Figure 4. Return Loss versus RF Frequency, $V_{CC} = 5.0\text{ V}$

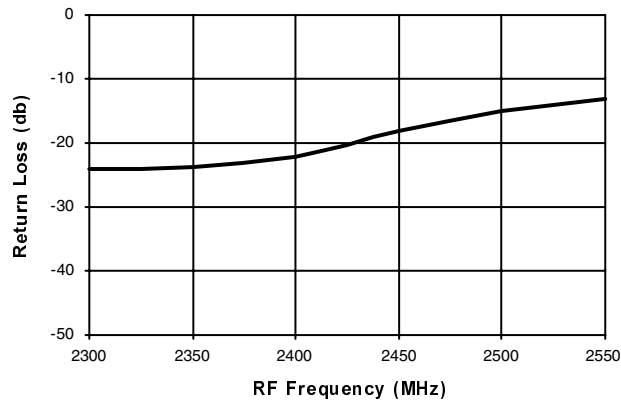


Figure 5. Return Loss at LO Input, $V_{CC} = 5.0\text{ V}$

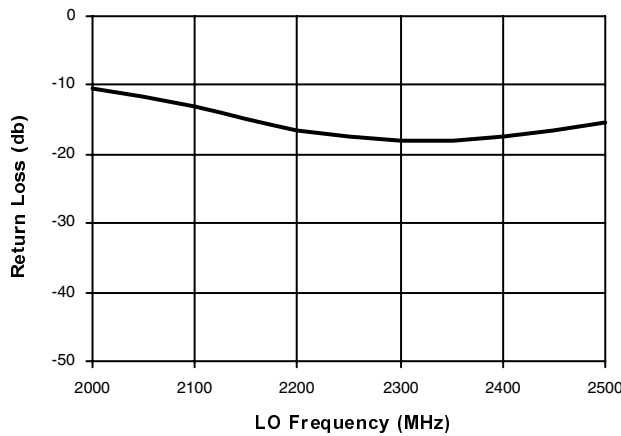


Figure 6. Return Loss versus IF Frequency, $V_{CC} = 5.0\text{ V}$

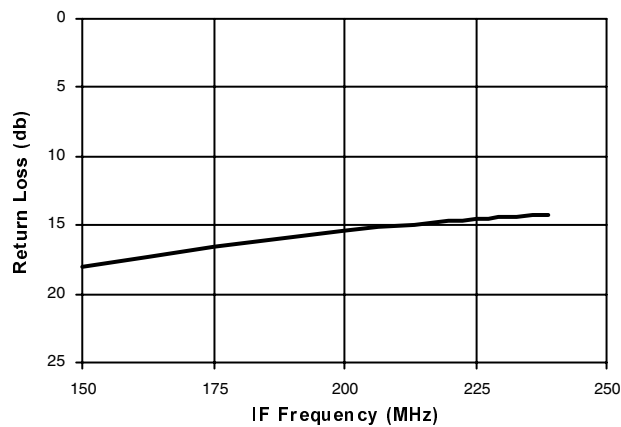
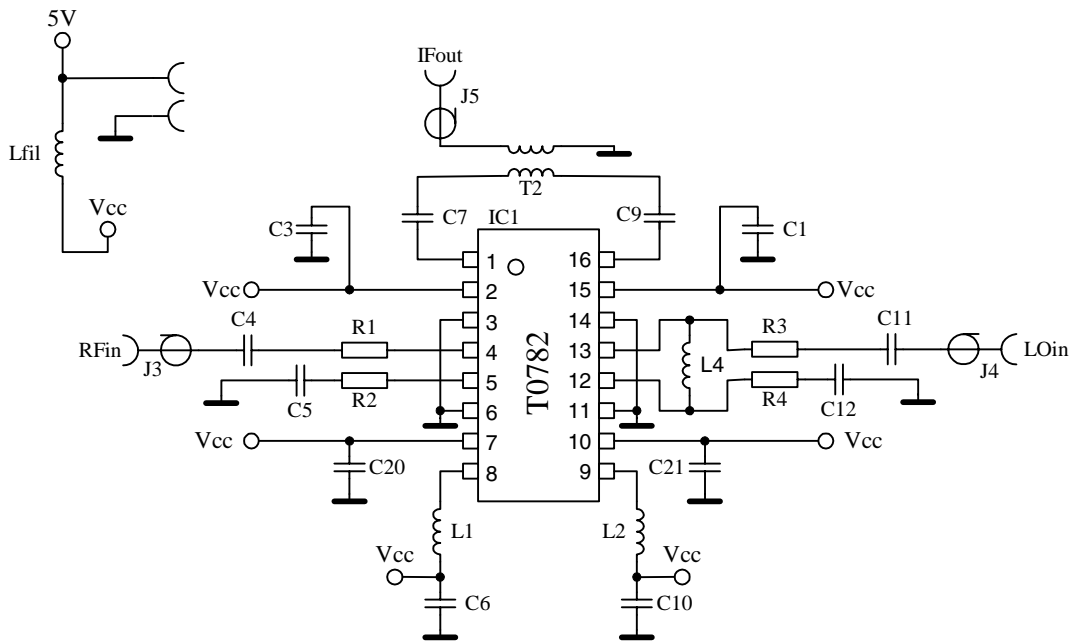


Figure 7. Demo Test Board Schematic



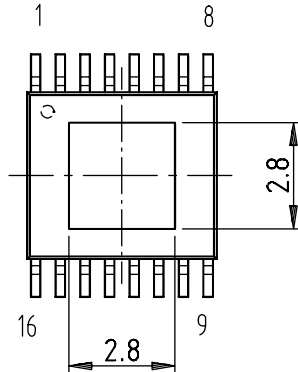
Bill of Material

Component Designator	Value	Vendor	Part Number	Description
IC1		Atmel	T0782	SiGe receiver mixer
J3, J4, J5		Johnson Components	142-0701-851	SMA connector, end launch with tab, for 0.062 inch thick board
T2	1:1	Mini-circuits	TC1-1	IF transformer
Lfil	1 μ H			Inductor, 1210 footprint, minimum 200 mA rating
L1, L2	100 nH	TOKO	LL1608-FSR10J	Inductor, 0603 footprint, high Q series
C1, C3, C20, C21	5.6 pF			Capacitor, 0603 footprint
C6, C10	100 pF			Capacitor, 0603 footprint
C7, C9	120 pF			Capacitor, 0603 footprint
C4, C5	1.2 pF			Capacitor, 0603 footprint
C11, C12	1.5 pF			Capacitor, 0603 footprint
R1, R2, R3, R4	0 Ω			Resistor, 0603 footprint
L4	27 nH			Inductor, 0603 footprint

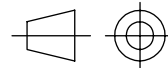
Ordering Information

Extended Type Number	Package	Remarks
T0782	SSOP16	

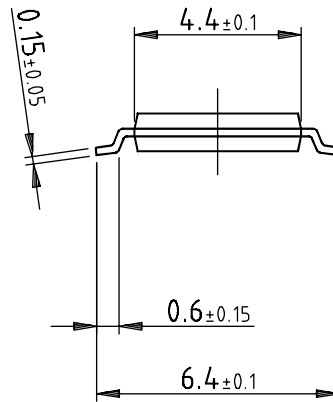
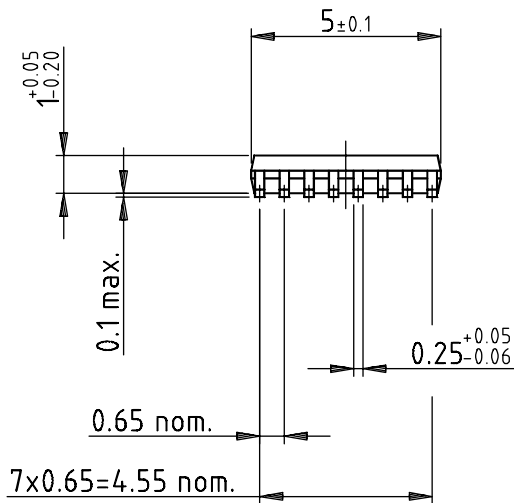
Package Information



Package: SSOP16
 (acc. JEDEC SMALL OUTLINE No. MO-153)
 Dimensions in mm



technical drawings
 according to DIN
 specifications



Drawing-No.: 6.543-5079.01-4
 Issue: 1; 10.07.01



Atmel Headquarters

Corporate Headquarters

2325 Orchard Parkway
San Jose, CA 95131
TEL 1(408) 441-0311
FAX 1(408) 487-2600

Europe

Atmel Sarl
Route des Arsenaux 41
Casa Postale 80
CH-1705 Fribourg
Switzerland
TEL (41) 26-426-5555
FAX (41) 26-426-5500

Asia

Atmel Asia, Ltd.
Room 1219
Chinachem Golden Plaza
77 Mody Road Tsimhatsui
East Kowloon
Hong Kong
TEL (852) 2721-9778
FAX (852) 2722-1369

Japan

Atmel Japan K.K.
9F, Tonetsu Shinkawa Bldg.
1-24-8 Shinkawa
Chuo-ku, Tokyo 104-0033
Japan
TEL (81) 3-3523-3551
FAX (81) 3-3523-7581

Atmel Operations

Memory

Atmel Corporate
2325 Orchard Parkway
San Jose, CA 95131
TEL 1(408) 436-4270
FAX 1(408) 436-4314

Microcontrollers

Atmel Corporate
2325 Orchard Parkway
San Jose, CA 95131
TEL 1(408) 436-4270
FAX 1(408) 436-4314

Atmel Nantes
La Chantrerie
BP 70602
44306 Nantes Cedex 3, France
TEL (33) 2-40-18-18-18
FAX (33) 2-40-18-19-60

ASIC/ASSP/Smart Cards

Atmel Rousset
Zone Industrielle
13106 Rousset Cedex, France
TEL (33) 4-42-53-60-00
FAX (33) 4-42-53-60-01

Atmel Colorado Springs
1150 East Cheyenne Mtn. Blvd.
Colorado Springs, CO 80906
TEL 1(719) 576-3300
FAX 1(719) 540-1759

Atmel Smart Card ICs
Scottish Enterprise Technology Park
Maxwell Building
East Kilbride G75 0QR, Scotland
TEL (44) 1355-803-000
FAX (44) 1355-242-743

RF/Automotive

Atmel Heilbronn
Theresienstrasse 2
Postfach 3535
74025 Heilbronn, Germany
TEL (49) 71-31-67-0
FAX (49) 71-31-67-2340

Atmel Colorado Springs
1150 East Cheyenne Mtn. Blvd.
Colorado Springs, CO 80906
TEL 1(719) 576-3300
FAX 1(719) 540-1759

Biometrics/Imaging/Hi-Rel MPU/ High Speed Converters/RF Datacom

Atmel Grenoble
Avenue de Rochepleine
BP 123
38521 Saint-Egreve Cedex, France
TEL (33) 4-76-58-30-00
FAX (33) 4-76-58-34-80

e-mail

literature@atmel.com

Web Site

<http://www.atmel.com>

© Atmel Corporation 2002.

Atmel Corporation makes no warranty for the use of its products, other than those expressly contained in the Company's standard warranty which is detailed in Atmel's Terms and Conditions located on the Company's web site. The Company assumes no responsibility for any errors which may appear in this document, reserves the right to change devices or specifications detailed herein at any time without notice, and does not make any commitment to update the information contained herein. No licenses to patents or other intellectual property of Atmel are granted by the Company in connection with the sale of Atmel products, expressly or by implication. Atmel's products are not authorized for use as critical components in life support devices or systems.

Atmel® is the registered trademark of Atmel.

Other terms and product names may be the trademarks of others.



Printed on recycled paper.