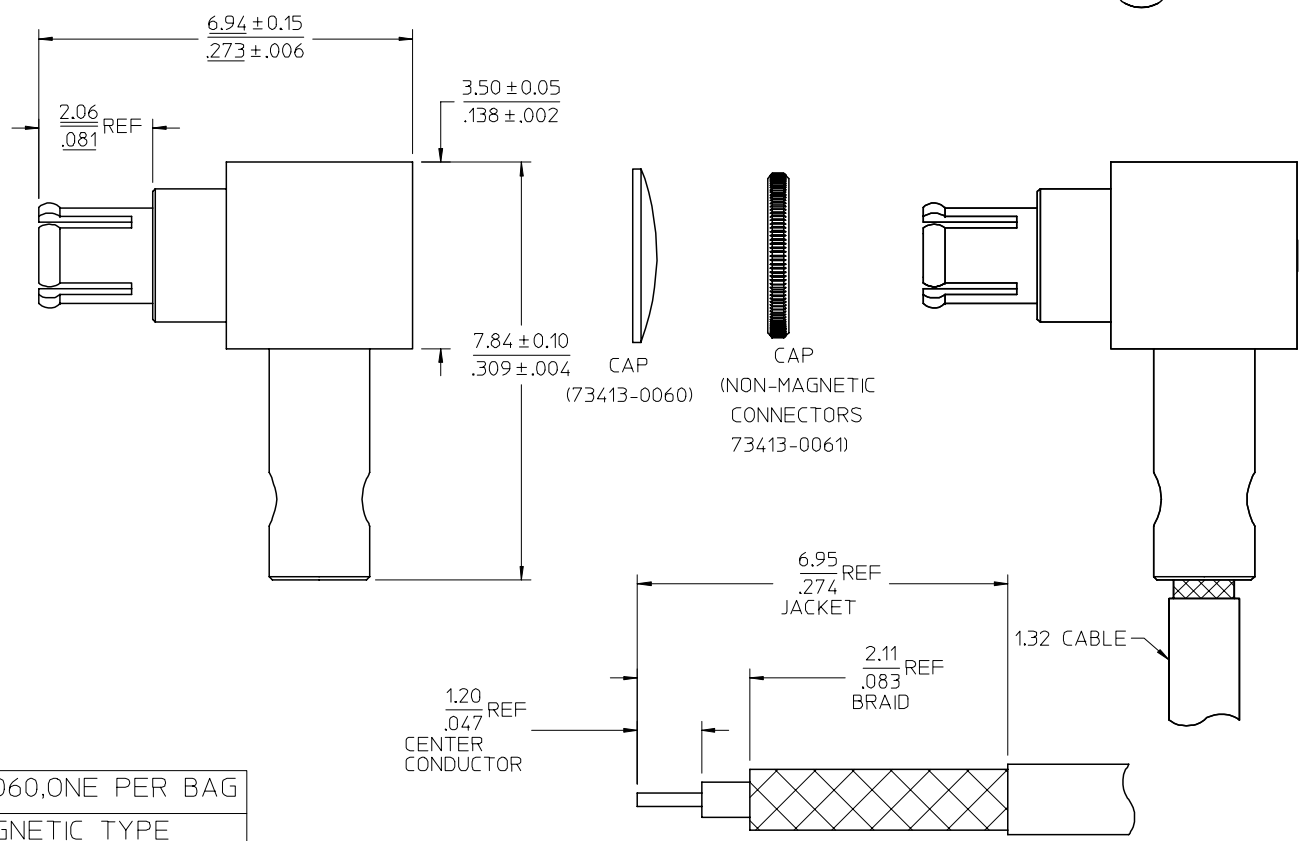
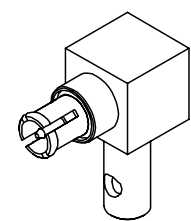


MATERIALS AND FINISHES

PART NO.73413-0060	PART NO.73413-0061
HOUSING	HOUSING
BRASS	BERYLLIUM COPPER
PLATED GOLD	PLATED TRI-METAL
CENTER CONTACT	CENTER CONTACT
BRASS	BERYLLIUM COPPER
PLATED GOLD	PLATED GOLD
CAP	CAP
BRASS	BERYLLIUM COPPER
PLATED GOLD	PLATED GOLD
OUTER CONTACT	OUTER CONTACT
BERYLLIUM COPPER	BERYLLIUM COPPER
PLATED GOLD	PLATED GOLD
INSULATOR	INSULATOR
TEFLON	TEFLON



CABLE ASSEMBLY INSTRUCTIONS:

1. STRIP CABLE
2. INSERT CABLE INTO BODY
3. SOLDER CABLE CENTER CONDUCTOR TO CENTER CONTACT
4. SOLDER CABLE TO BODY

73413-0062	73413-0060, ONE PER BAG
73413-0061	NON-MAGNETIC TYPE
73413-0060	GENERAL TYPE
PART NUMBER	DESCRIPTION

CHG: ADDED P/N 73413-0062 EC NO: URF 2007-0287 DRAWN: FLAHERTY 2007/02/08 CHKD: SHAH 2007/02/08 APPR: JIMENER 2007/02/08 A4	QUALITY SYMBOLS =0 =0	GENERAL TOLERANCES (UNLESS SPECIFIED)		DIMENSION STYLE MM/IN		SCALE	DESIGN UNITS METRIC	THIRD ANGLE PROJECTION	
		4 PLACES ± --- ± --- 3 PLACES ± --- ± --- 2 PLACES ± --- ± --- 1 PLACE ± --- ± --- ANGULAR ± 2 °	mm INCH JOHN 2005/03/30 CHECKED BY DATE KERRIE 2005/03/30 APPROVED BY DATE MISEN 2005/03/30	TITLE SSMCX PLUG, R/A, 50 OHM FOR 1.32 CABLE SSMCX-PC/RA		MATERIAL NO. SEE TABLE		DOCUMENT NO. SD-73413-006	
DRAFT WHERE APPLICABLE MUST REMAIN WITHIN DIMENSIONS				SIZE C		THIS DRAWING CONTAINS INFORMATION THAT IS PROPRIETARY TO MOLEX INCORPORATED AND SHOULD NOT BE USED WITHOUT WRITTEN PERMISSION			