

TABLE 1: FINISHES

ORDERING PART NUMBER	PORT 1 & 2 TERMINAL	FITTING NAIL
78758-0001	CONTACT: 0.76µM MIN. GOLD OVER 1.27µM MIN. NICKEL UNDERPLATE SOLDERTAIL: 2.54µM MIN. TIN OVER 1.27µM MIN. NICKEL UNDERPLATE OTHER AREA: 1.27µM MIN. NICKEL UNDERPLATE	2.54µM MIN. TIN OVER 1.27µM MIN. NICKEL
78758-0002	CONTACT: 0.38µM MIN. GOLD OVER 1.27µM MIN. NICKEL UNDERPLATE SOLDERTAIL: 2.54µM MIN. TIN OVER 1.27µM MIN. NICKEL UNDERPLATE OTHER AREA: 1.27µM MIN. NICKEL UNDERPLATE	2.54µM MIN. TIN OVER 1.27µM MIN. NICKEL

NOTES :

1. MATERIAL: SEE TABLE 2
2. FINISHES: SEE TABLE 1
3. PRODUCT SPECIFICATION: PS-78758-001
4. PACKAGING SPECIFICATION: PK-78758-001
5. MATES WITH: MOLEX SAS OR SAS/PCIE RECEPTACLES
6. PRODUCT IS COMPLIANT TO ROHS DIRECTIVE WITH THE FOLLOWING BANNED SUBSTANCES - LEAD, MERCURY, CADMIUM, HEXAVALENT CHROMIUM, POLYBROMINATED DYPHENILS & POLYBROMINATED DIPHENYLS ETHERS.
7. NON-FUNCTIONAL CORING MAY VARY
8. MOLEX LOGO, CAVITY ID AND DATE CODE TO BE LOCATED APPROXIMATELY AS SHOWN.
9. PRODUCT IS COMPLIANT TO SFF-8639 SPECIFICATIONS.

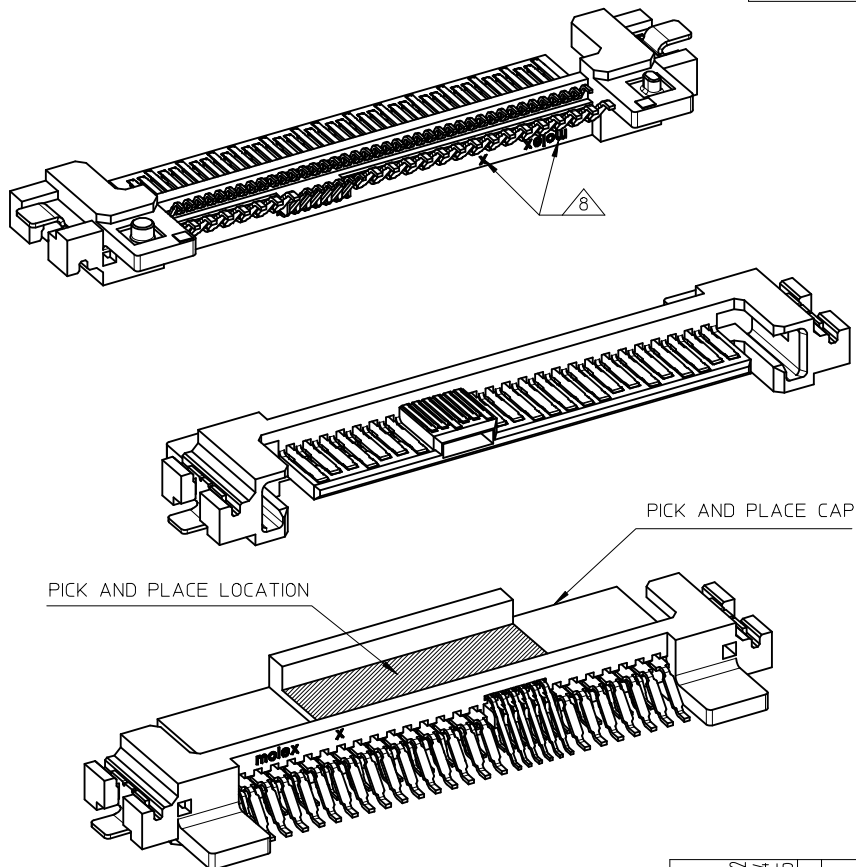
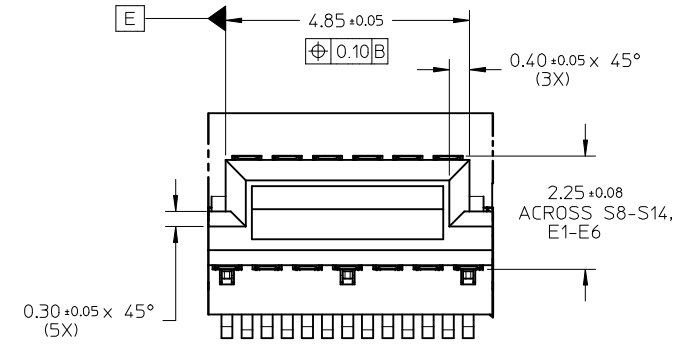
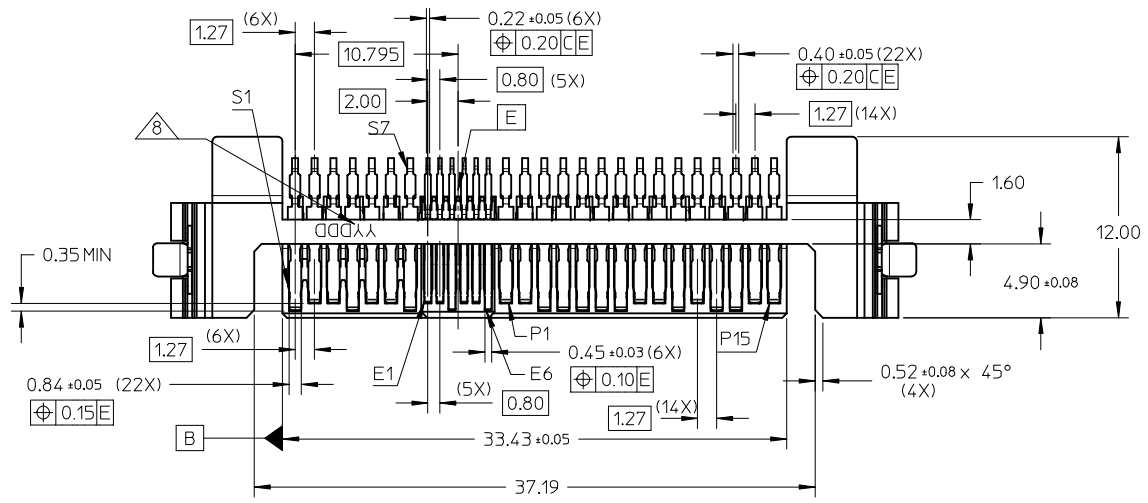


TABLE 2 : PARTS MATERIAL

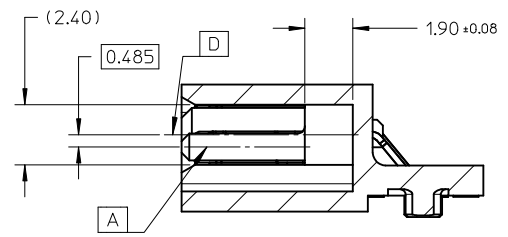
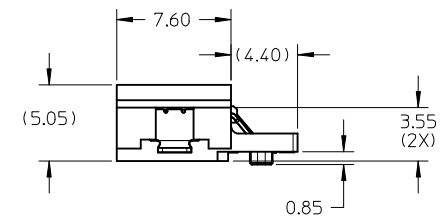
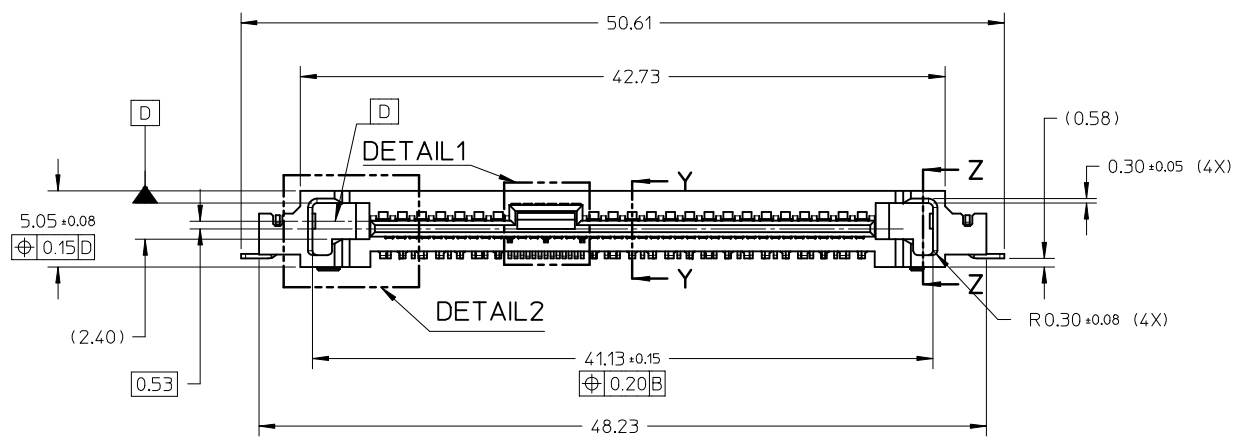
NO	PART NAME	QTY	MATERIAL
1	HOUSING	1	LCP, GLASS FILLED, UL94-V, COLOR: BLACK
2	1.27MM PITCH TERMINAL	22	COPPER ALLOY
3	0.8MM PITCH TERMINAL	46	COPPER ALLOY
4	FITTING NAIL	2	COPPER ALLOY
5	GROUND BLADE	1	COPPER ALLOY
6	PICK AND PLACE CAP	1	LCP, GLASS FILLED, UL94-V, COLOR: BLACK

THIS DESIGN IS BASED ON DESIGN OBJECTIVES AND IS STRICTLY TENTATIVE. IT MAY CHANGE BASED ON RESULTS OF ADDITIONAL DESIGN REVIEWS & VERIFICATIONS.

REMOVE NOTE 10. EC NO: S2015-0034 2014/08/12 DRW:SKANG 2014/08/14 CHKD:CWANGZS 2014/08/15 APPR:SHONG	QUALITY SYMBOLS $F_A=0$ $F_C=0$ $F_P=0$	GENERAL TOLERANCES (UNLESS SPECIFIED) mm INCH 4 PLACES ± --- ± --- 3 PLACES ± --- ± --- 2 PLACES ± 0.20 ± --- 1 PLACE ± --- ± --- 0 PLACE ± ± ---	DIMENSION STYLE MM ONLY DRAWN BY CGOH DATE 2012/09/07 CHECKED BY GMENARLY DATE 2012/10/17 APPROVED BY BOKOK DATE 2012/10/17	SCALE NTS TITLE SAS/PCIE RIGHT ANGLE PLUG SMT FOR SSD <b>molex</b>	DESIGN UNITS METRIC THIRD ANGLE PROJECTION	MATERIAL NO. SEE TBALE	DOCUMENT NO. SD-78758-001	SHEET NO. 1 OF 4
	DRAFT WHERE APPLICABLE MUST REMAIN WITHIN DIMENSIONS	ANGULAR ± 3 °	THIS DRAWING CONTAINS INFORMATION THAT IS PROPRIETARY TO MOLEX INCORPORATED AND SHOULD NOT BE USED WITHOUT WRITTEN PERMISSION					
	SIZE A3							
	REV 4							

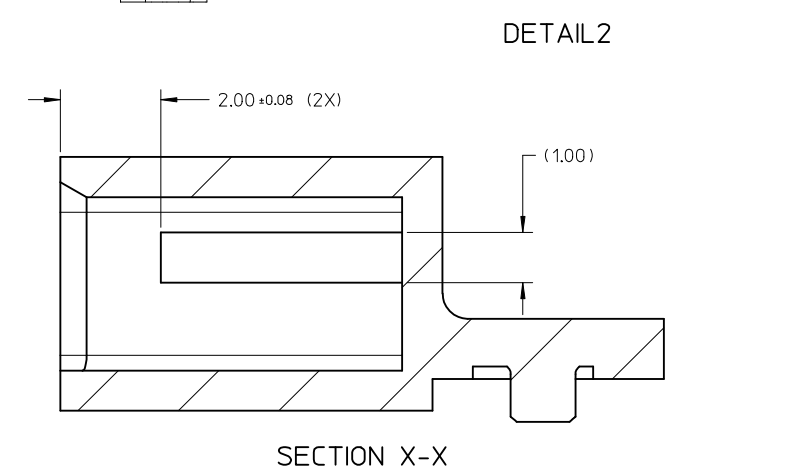
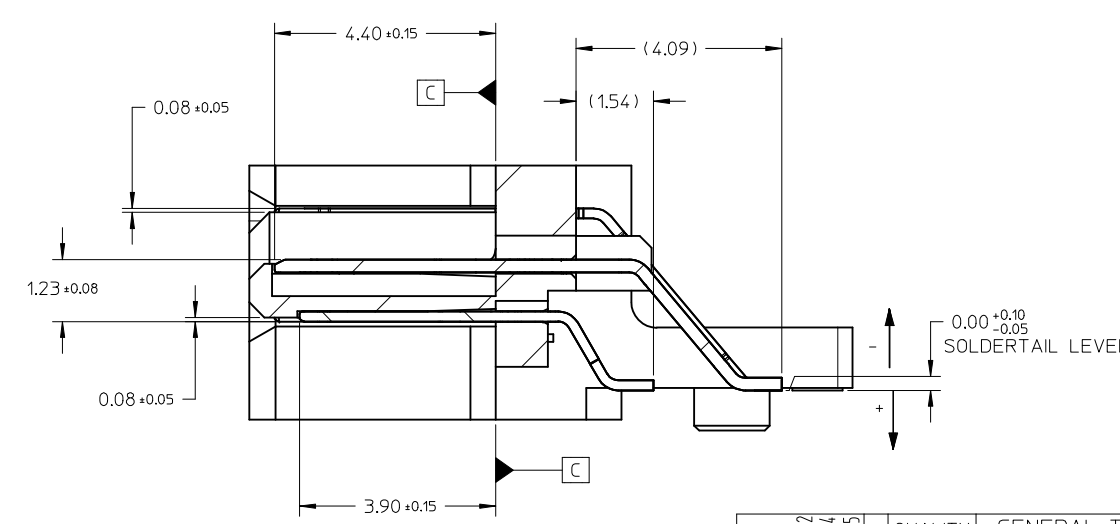
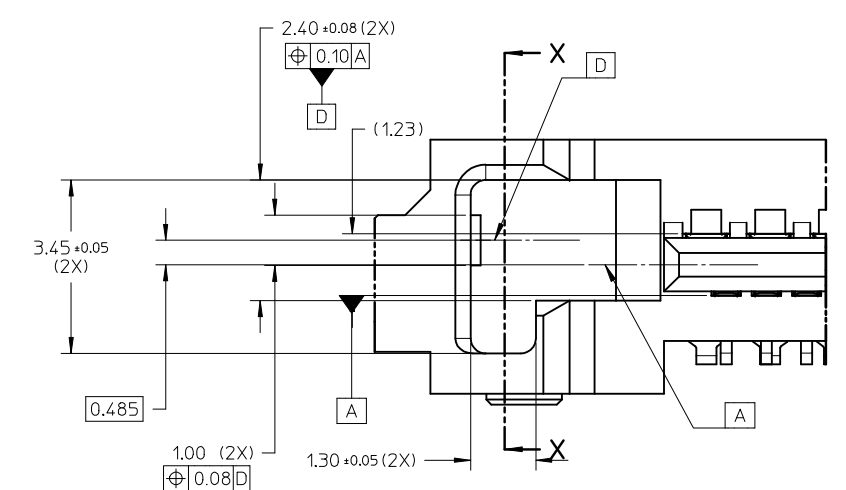
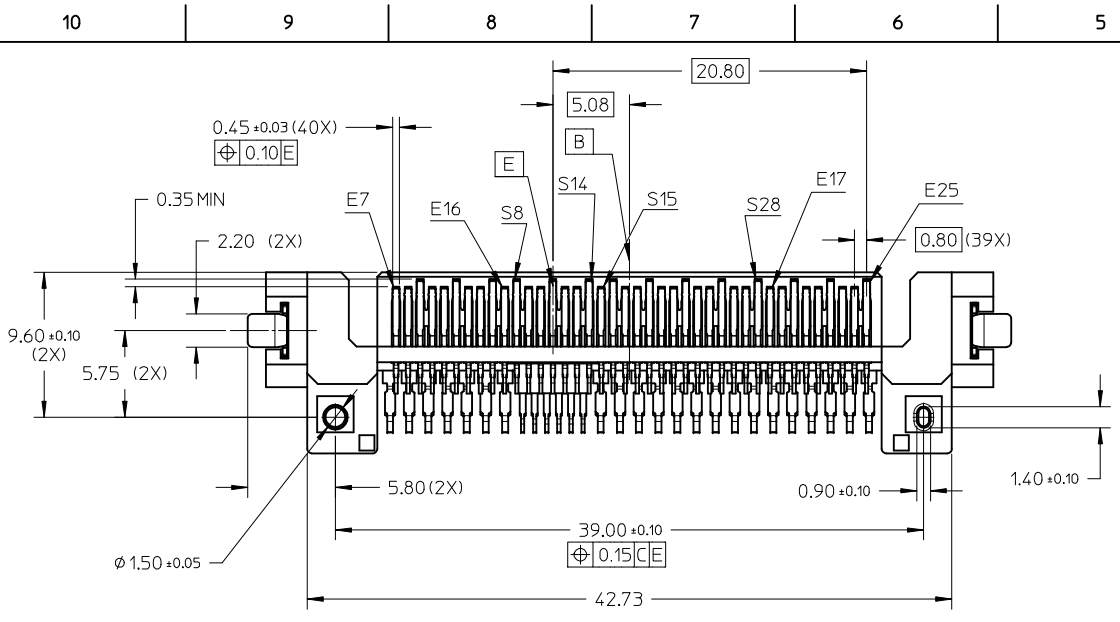


DETAIL1



SECTION Z-Z

SEE SHEET 1 EC NO: S2015-0034 DRWN:SKANG 2014/08/12 CHKD:WANGZS 2014/08/14 APPR:SHONG 2014/08/15	QUALITY SYMBOLS ▽ <sub>A</sub> =0 ▽ <sub>C</sub> =0 ▽ <sub>P</sub> =0	GENERAL TOLERANCES (UNLESS SPECIFIED)		DIMENSION STYLE MM ONLY		SCALE NTS	DESIGN UNITS METRIC	THIRD ANGLE PROJECTION		
			mm	INCH	DRAWN BY CGOH	DATE 2012/09/07	TITLE SAS/PCIE RIGHT ANGLE PLUG SMT FOR SSD			
		4 PLACES	± ---	± ---	CHECKED BY GMENARLY	DATE 2012/10/17	<b>molex</b>			
		3 PLACES	± ---	± ---	APPROVED BY BOKOK	DATE 2012/10/17				
	ANGULAR ± 3 °		MATERIAL NO. SEE TBALE		DOCUMENT NO. SD-78758-001		SHEET NO. 2 OF 4			
	DRAFT WHERE APPLICABLE MUST REMAIN WITHIN DIMENSIONS		THIS DRAWING CONTAINS INFORMATION THAT IS PROPRIETARY TO MOLEX INCORPORATED AND SHOULD NOT BE USED WITHOUT WRITTEN PERMISSION							

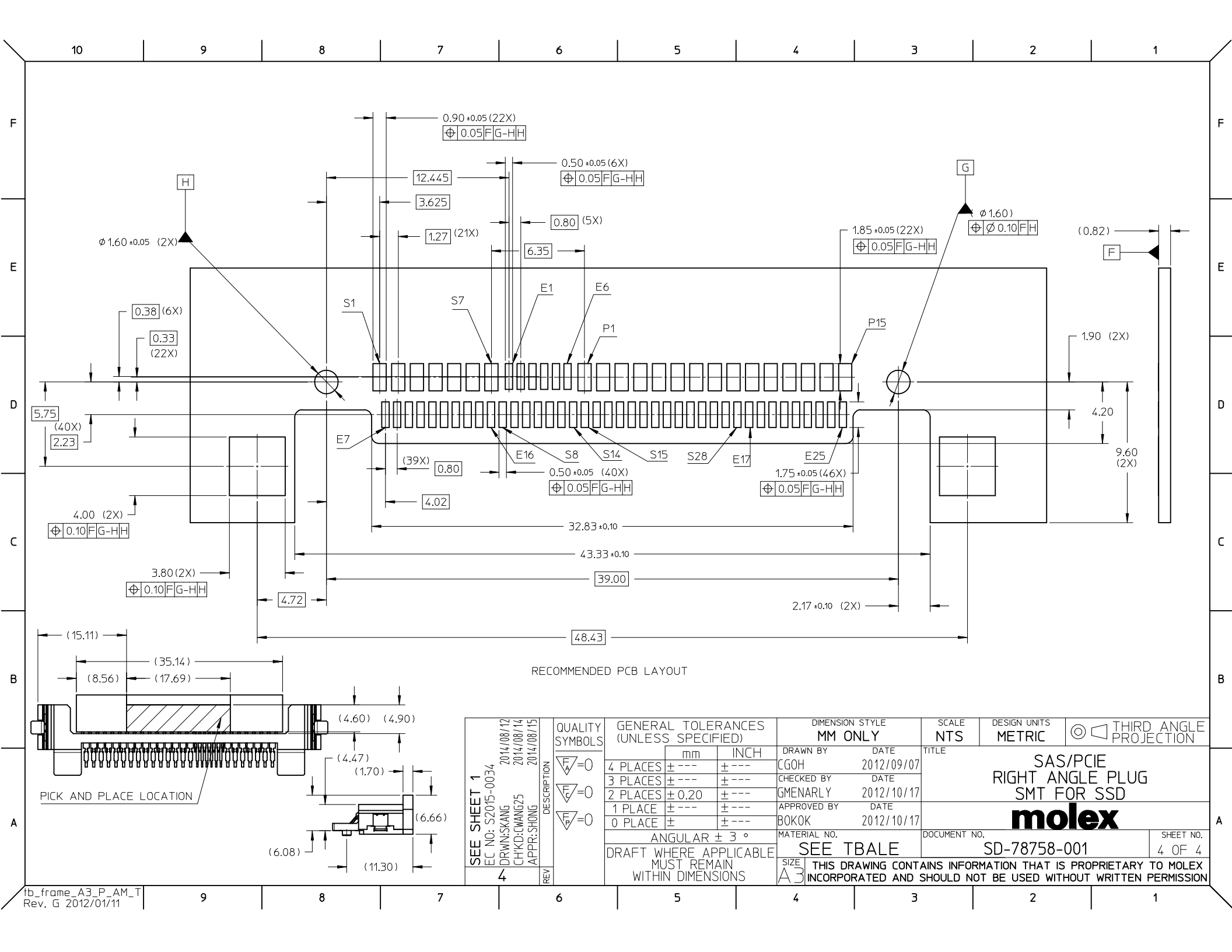


SECTION Y-Y

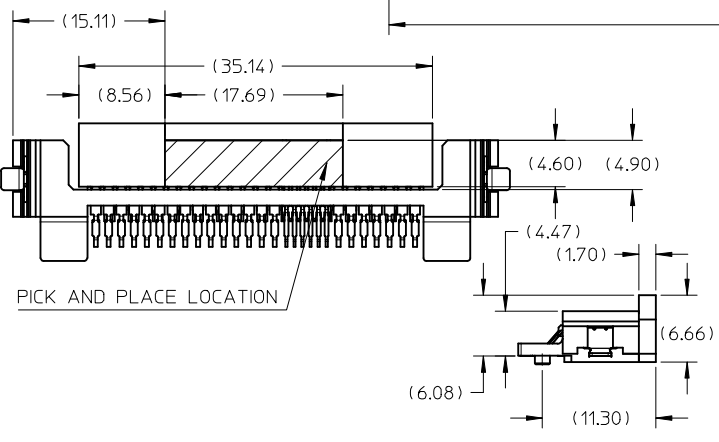
SECTION X-X

DETAIL 2

SEE SHEET 1 EC NO: S2015-0034 DRWN:SKANG 2014/08/12 CH'KD:GWANG25 2014/08/14 APPR:SHONG 2014/08/15	REV DESCRIPTION 4	QUALITY SYMBOLS	GENERAL TOLERANCES (UNLESS SPECIFIED)		DIMENSION STYLE		SCALE	DESIGN UNITS	THIRD ANGLE PROJECTION	
		$\nabla = 0$ $\nabla = 0$ $\nabla = 0$	4 PLACES ± --- ± --- 3 PLACES ± --- ± --- 2 PLACES ± 0.20 ± --- 1 PLACE ± --- ± --- 0 PLACE ± --- ± ---	MM ONLY	NTS	METRIC	DRAWN BY DATE		TITLE	
		ANGULAR ± 3° DRAFT WHERE APPLICABLE MUST REMAIN WITHIN DIMENSIONS	SEE TBALE	CGOH 2012/09/07 GMENARLY 2012/10/17 BOKOK 2012/10/17	SAS/PCIE RIGHT ANGLE PLUG SMT FOR SSD <b>molex</b>					
		MATERIAL NO. DOCUMENT NO. SHEET NO.	SEE TBALE SD-78758-001 3 OF 4	THIS DRAWING CONTAINS INFORMATION THAT IS PROPRIETARY TO MOLEX INCORPORATED AND SHOULD NOT BE USED WITHOUT WRITTEN PERMISSION						



RECOMMENDED PCB LAYOUT



SEE SHEET 1  
 EC NO: S2015-0034  
 DRWNS:KANG 2014/08/12  
 CHKD:GWANG25 2014/08/14  
 APPR:SHONG 2014/08/15

REV	DESCRIPTION
4	

QUALITY SYMBOLS	
$\nabla_F = 0$	
$\nabla_E = 0$	
$\nabla_D = 0$	

GENERAL TOLERANCES (UNLESS SPECIFIED)		
	mm	INCH
4 PLACES	± ---	± ---
3 PLACES	± ---	± ---
2 PLACES	± 0.20	± ---
1 PLACE	± ---	± ---
0 PLACE	± ---	± ---

DIMENSION STYLE	
MM ONLY	
DRAWN BY	DATE
CGOH	2012/09/07
CHECKED BY	DATE
GMENARLY	2012/10/17
APPROVED BY	DATE
BOKOK	2012/10/17

SCALE		DESIGN UNITS		THIRD ANGLE PROJECTION	
NTS		METRIC			
SAS/PCIE RIGHT ANGLE PLUG SMT FOR SSD					
				MATERIAL NO. SD-78758-001 DOCUMENT NO.	
SEE TBAL				SHEET NO. 4 OF 4	