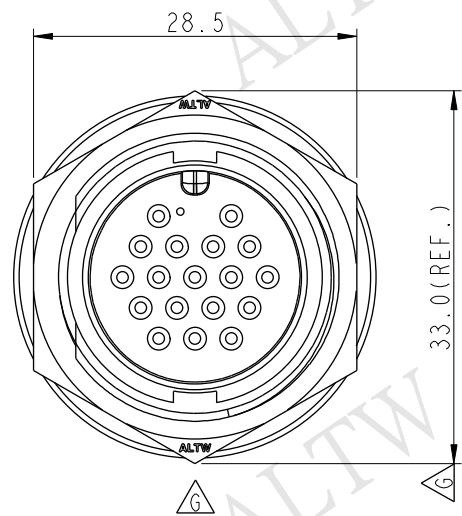
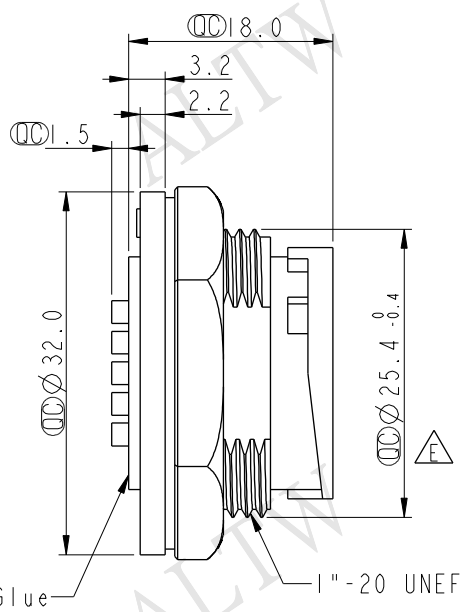
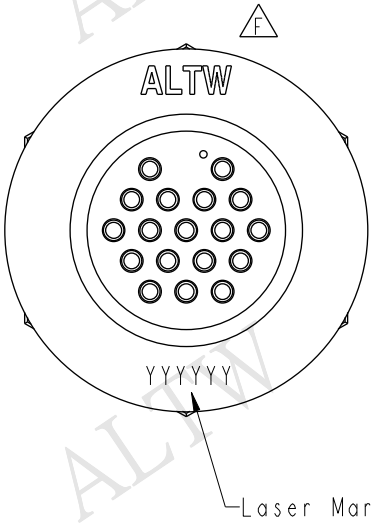


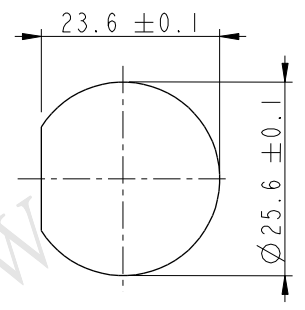
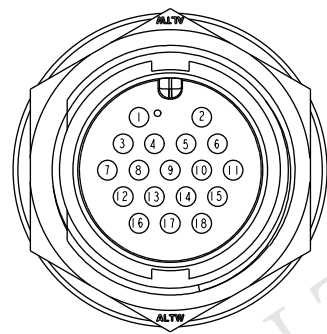
REV.	ECN NO.	DATE	SIGN	DESCRIPTION
E	LEN-8A0203	2008/09/16	Shin	Change Note
F	LEN1510081	2014/12/29	Sam	Update Logo
G	LEN1660022	2016/05/25	Vicky	Update Nut View & Dime

ALTW
CONFIDENTIAL
2016-05-25
R&D DEPT.

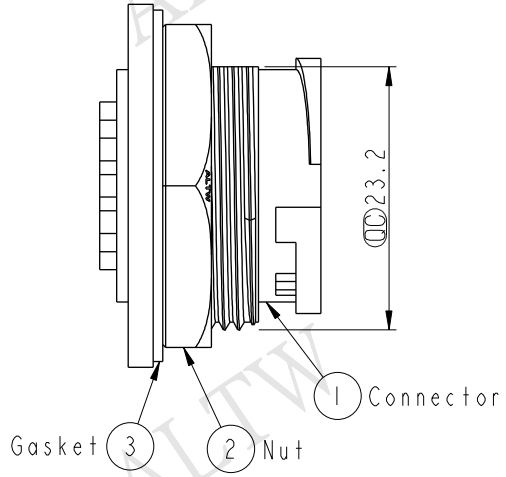
ALTW
DCC. DEPT.
CONFIDENTIAL
2016.06.01
ISSUED



With Liquid Glue



Recommended Panel Cut-Out



- Note:
- * \varnothing Important Dimension To Check
 - * Waterproof Rate: IP67
 - * Connector: Nylon+GF, Black.
 - * Male Pin: Copper Alloy, Gold Plated
 - * Gasket: EPDM, Black.
 - * Nut: Nylon+GF, Black.
 - * Use Waterproof Cap or Dust Cap
Panel Thickness Max: 3.0mm
 - * Use without Waterproof Cap or Dust Cap
Panel Thickness Max: 4.0mm
 - * Laser Mark: 工單號碼 (6碼)
字型 Simplex; 字高 2mm.

UNIT: mm	
TOLERANCE	
.X	±0.25
.XX	±0.1
.XXX	±0.05
ANGLES	±1°

TITLE Large Panel Lock 18Pin M Conn M Pin			
SCALE 3:2	SIZE A4	SHEET 1 OF 1	
REV. G	WC-REV. A.1	\varnothing : Inspection item	

Amphenol LTW
安費諾亮泰企業股份有限公司

ITEM NO. DD-18PMMS-LC7001	DRAWN BY Vicky	DATE 2016-05-25
DWG NO. DD-18PMMS-LC7001	CHECKED BY Rita	DATE 2016-05-25
CUSTOMER ALTW	APPROVED BY Lisa	DATE 2016-05-25

THIS DOCUMENT IS SUBJECT TO CHANGE WITHOUT NOTICE. IT IS CONFIDENTIAL AND A PROPERTY OF Amphenol LTW. DISCLOSURE TO THIRD PARTY HAS TO BE AUTHORIZED BY Amphenol LTW.