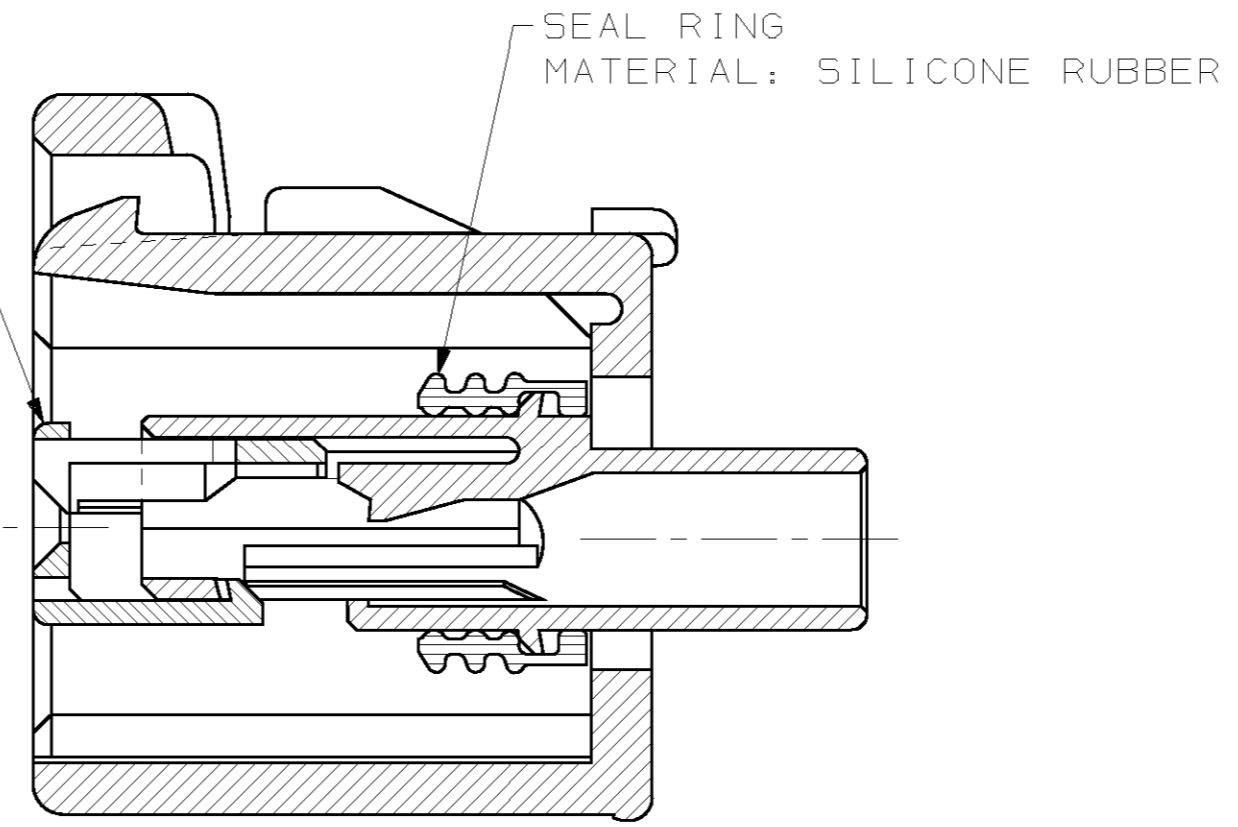
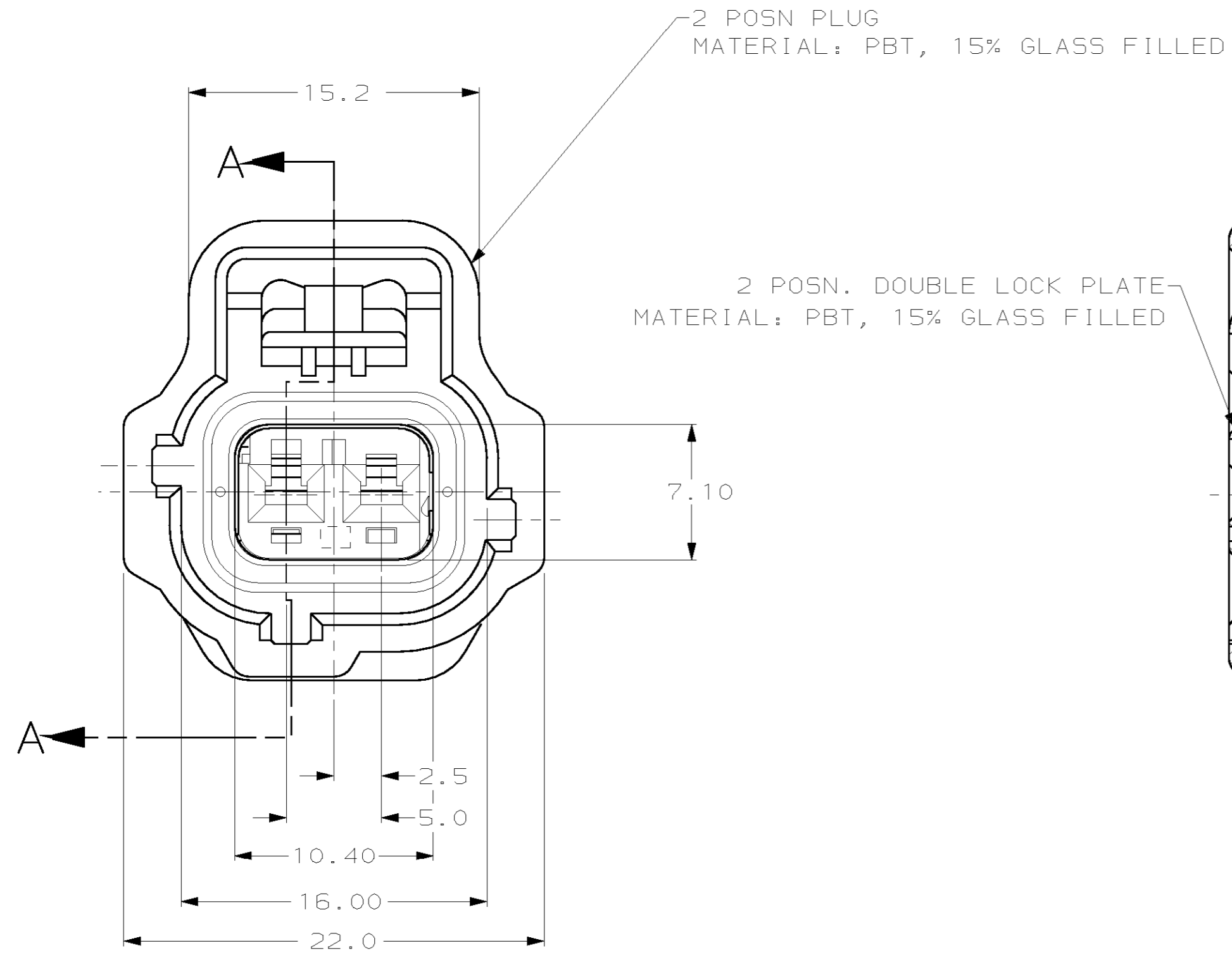
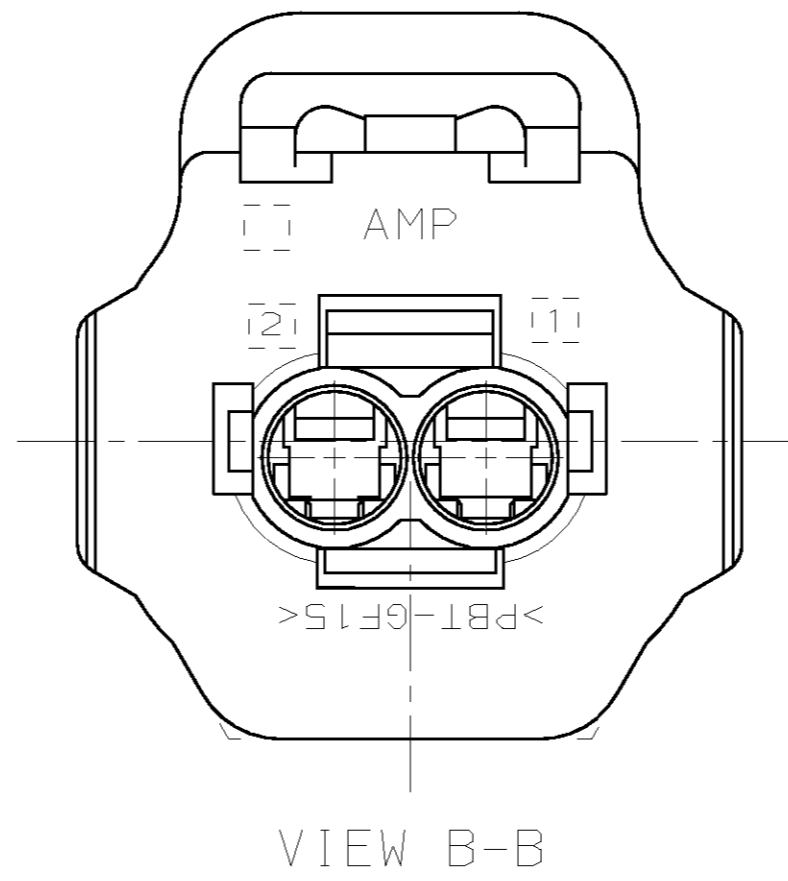
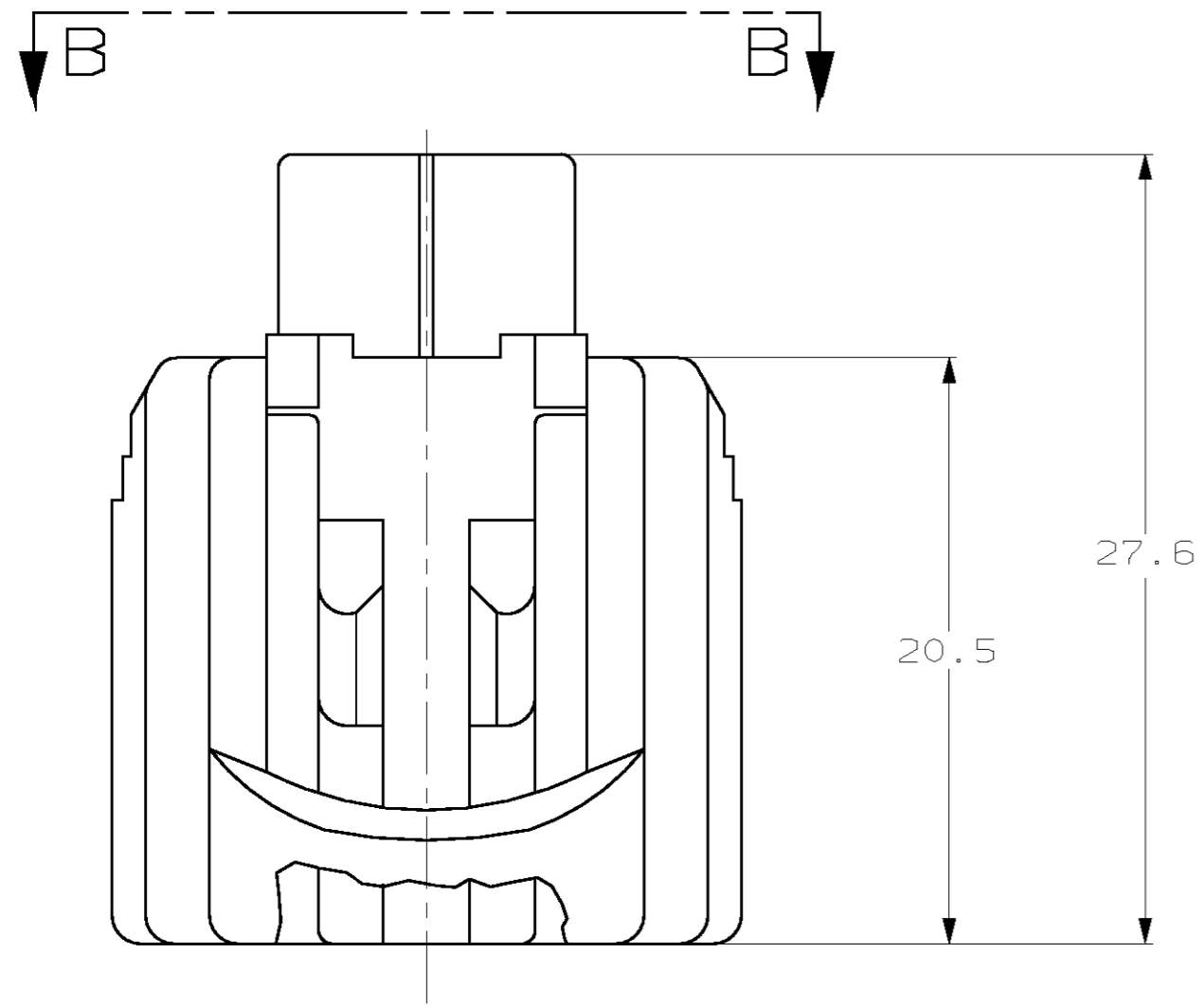


LOC	DIST	REVISIONS					
		P	LTR	DESCRIPTION	DATE	DWN	APVD
G	16			RELEASED, WAS 92-4072-2313-9	-		-
				REV PER ECN 0720-0290-94	10-14-94	KDL	JPK
				REV PER ECN 0720-0446-94	12/16/94	KW	JK
				REV PER ECN 0K50-0003-96	08/13/96	KW	JK
				REV PER EC# 0K40-0140-00	7-10-00	PC	GI



KEYING TYPE J

<small>THIS DRAWING IS A CONTROLLED DOCUMENT FOR AMP INCORPORATED. IT IS SUBJECT TO CHANGE AND THE CONTROLLING ENGINEERING ORGANIZATION SHOULD BE CONTACTED FOR THE LATEST REVISION.</small>		DWN	KD LYTLE	3/28/94
DIMENSIONS: mm		CHK	JP KUNKLE	4/19/94
		APVD	-	-
TOLERANCES UNLESS OTHERWISE SPECIFIED: 0 PLC ±- 1 PLC ±0.30 2 PLC ±0.15 3 PLC ±- 4 PLC ±- ANGLES ±1° FINISH -		PRODUCT SPEC	-	-
MATERIAL -		APPLICATION SPEC	-	-
		WEIGHT	-	-
		CUSTOMER DRAWING	-	-

BLACK	184016-1
PLUG COLOR	PART NO
AMP AMP Incorporated Harrisburg, PA 17105-3608	
1 X 2 PLG ASY KEY J-C3	
SIZE	CAGE CODE
A2	00779
DRAWING NO	C-184016
SCALE	SHEET
4:1	1 OF 1
REV	D

184016