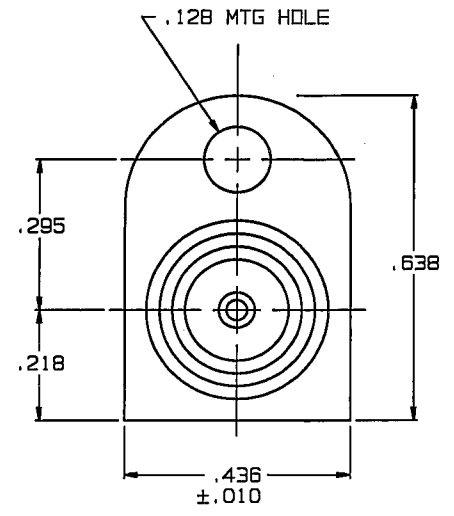
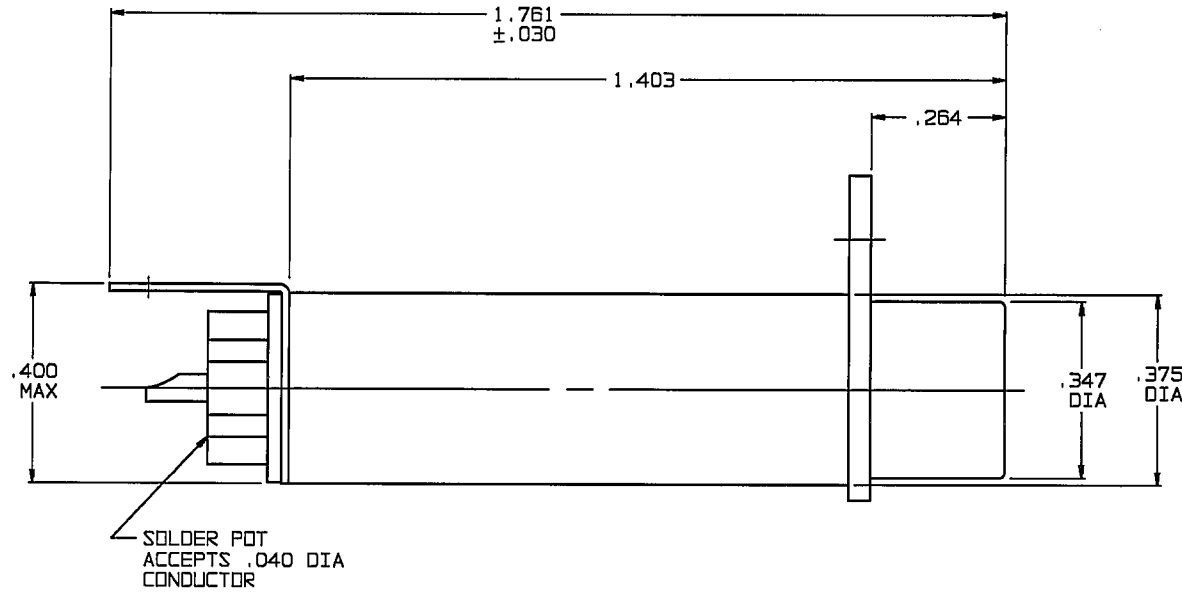


# RED INDICATES ORIGINAL

	DWG SIZE <b>B</b>	DATA CONTAINED IN THIS DOCUMENT IS PROPRIETARY TO TROMPETER ELECTRONICS INC. AND SHALL NOT BE DISCLOSED, COPIED OR USED FOR PROCUREMENT OR MANUFACTURE WITHOUT EXPRESS WRITTEN PERMISSION.	REVISIONS	1-0335	SH 1			
			REV	ED	DESCRIPTION	OWN	APPROVED	DATE
			H	11847	SH 2, ADDED NOTE <span style="border: 1px solid black; padding: 0 2px;">2</span> ; NOTE <span style="border: 1px solid black; padding: 0 2px;">1</span> WAS "25 INCH-LB" TORQUE	DKC	<i>BW</i> <i>FEE</i>	3/19/97

INCH	MM
.005	0.13
.010	0.25
.030	0.76
.040	1.02
.128	3.25
.218	5.54
.264	6.71
.295	7.49
.296	7.52
.347	8.81
.375	9.53
.400	10.16
.436	11.07
.638	16.21
1.403	35.64
1.761	44.73



4. 75 OHM COAXIAL AT & T MINIATURE (.296 SIZE) SOLDER POT PATCH RECEPTACLE
3. INTERFACE: TFS-7
2. FINISH: TFS-1A (NICKEL)
1. ALL DIM ARE IN INCHES

QTY	DESCRIPTION	PART NUMBER	ITEM
	<b>TROMPETER ELECTRONICS, INC.</b>	J11D	
TOL UNLESS SPECIFIED .XX ± .XXX ± .005 .XXXX ± ANGLES ±		MATERIAL	CODE IDENT
OWN	DKC	3-10-97	DRAWING NO.
CHK	<i>BW</i>	<i>3-11-97</i>	1-0335
ENGR			REV
APPR	<i>FEE</i>	<i>3/17/97</i>	H
NEXT ASSY	SCALE 4/1	DATE 10/5/67	SHEET 1 OF 2