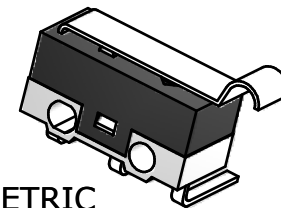
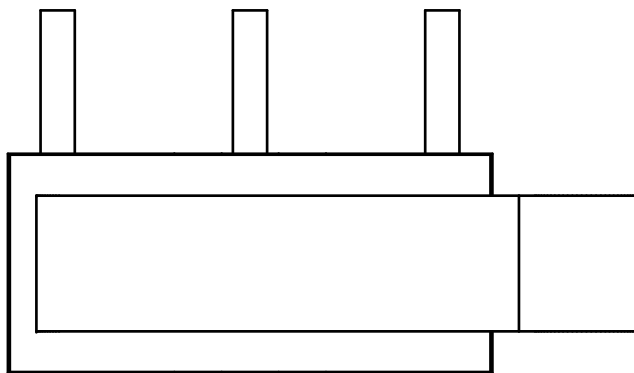
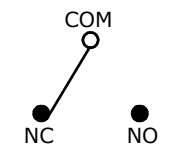


P.C. MOUNTING



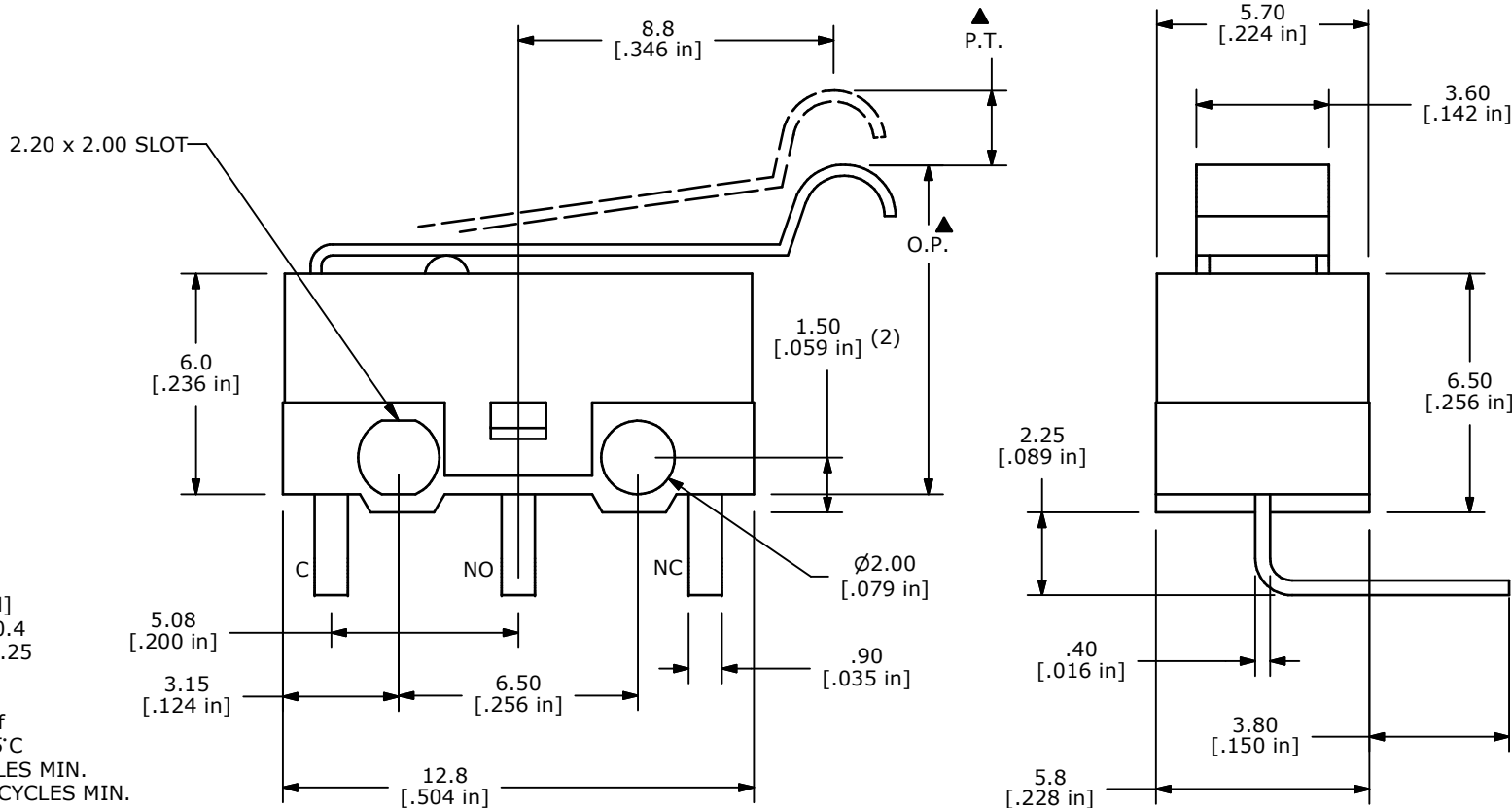
ISOMETRIC
SCALE 2 : 1



CIRCUIT: SPDT

O.P. (MM)	P.T. (MM)
10.8±0.8	2.00 MAX.

O.P. = OPERATING POINT
P.T. = PRE-TRAVEL



- NOTES:
1. ALL DIMENSIONS IN MM [INCH]
 2. GENERAL TOLERANCE: X.X±0.4
X.XX±0.25
 - ▲ 3. RATING: 0.1A @ 5 VDC
0.1A @ 125VAC UL
 - ▲ 4. OPERATING FORCE: 35 ± 10 gf
 5. OPERATING TEMP: -25°C TO 75°C
 6. ELECTRICAL LIFE: 10,000 CYCLES MIN.
 7. MECHANICAL LIFE: 1,000,000 CYCLES MIN.
 8. INSULATION RESISTANCE: 100 MEGA-OHMS MIN.
 9. DIELECTRIC STRENGTH: 1,500VAC - 1 MINUTE
 10. ▲ DENOTES CRITICAL PARAMETER.
 11. PACKAGED IN TRAYS, 120 PIECES PER TRAY.
 12. 2002/95/EC (ROHS) COMPLIANT



TITLE SS075Q102F035V2A				
SCALE	DATE	DR	DWG	REV
4:1	11/25/2008	BLR	Q971024	A

A	18331	RELEASE FOR PRODUCTION	11/25/08	BLR
REV	PCR NO	DESCRIPTION	DATE	BY

THE INFORMATION CONTAINED IN THIS DOCUMENT IS PROPRIETARY TO E-SWITCH AND IS NOT TO BE COPIED OR TRANSFERRED