

THIS DRAWING IS UNPUBLISHED.

RELEASED FOR PUBLICATION OCT , 2003.

© COPYRIGHT 2003 By -

ALL RIGHTS RESERVED.

LOC	DIST	REVISIONS			
P	LTR	DESCRIPTION	DATE	DWN	APVD
E	B	C	REVISED PER ECO-14-000651	03FEB2014	AP SB

1 FOR LOCAL DATA REFER TO YOUR LOCAL TE CONNECTIVITY SALES OFFICE.

2 ALL DIMENSIONS ARE NOMINAL FOR REFERENCE ONLY UNLESS OTHERWISE STATED.

3 MATERIAL :  
HOUSING : THERMOPLASTIC, UL94V-0  
BLACK COLOR  
CONTACTS : BRASS  
SHELL : STEEL  
BOARDLOCK : BRASS  
SCREW : BRASS

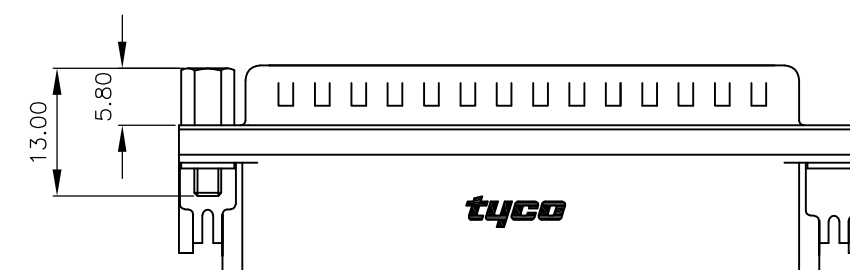
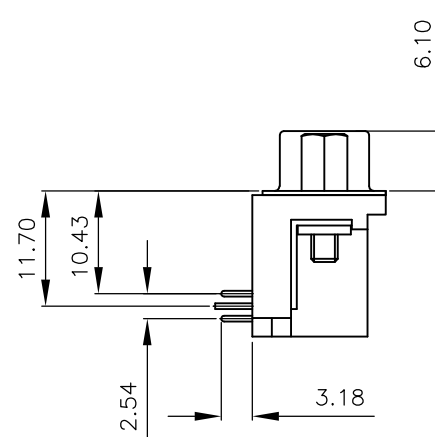
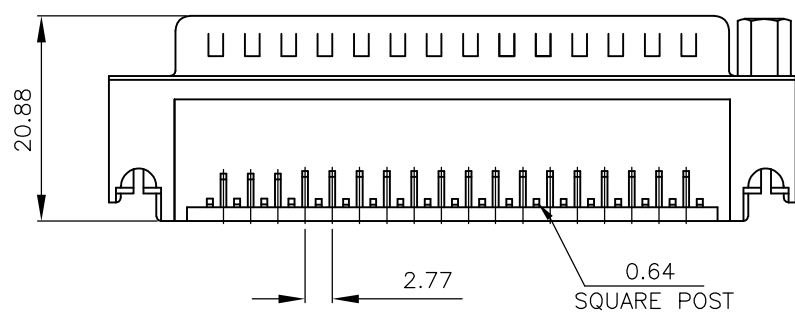
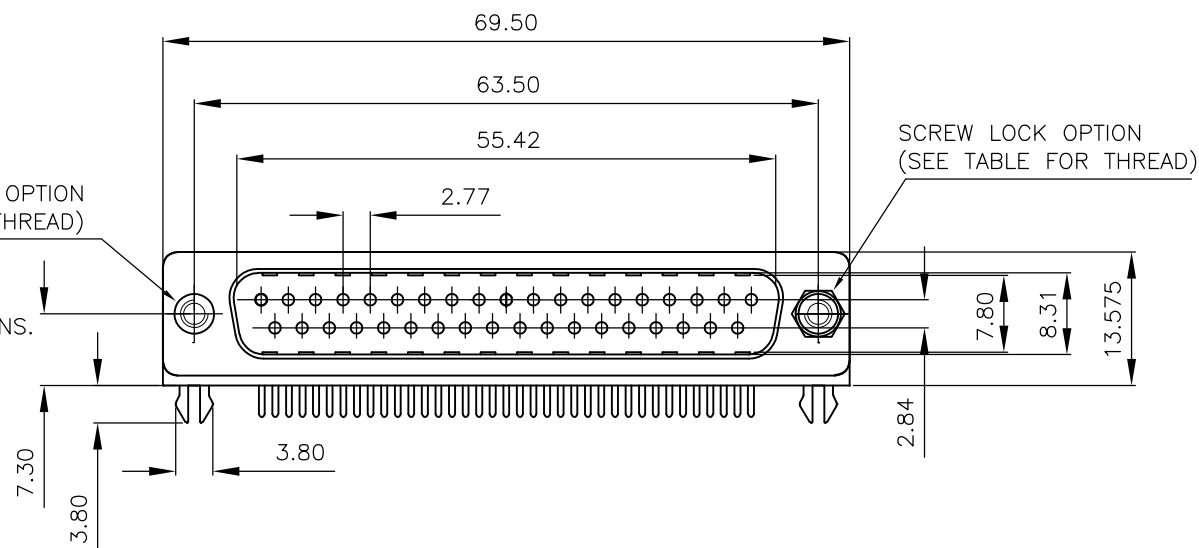
4 FINISH :  
CONTACT : 0.38µm MIN.GOLD PLATED ON CONTACT AREA  
2.54µm MIN. TIN PLATED ON SOLDERTAILS  
1.27µm MIN. NICKEL UNDERPLATED OVERALL  
SHELL : 2.54 µm MIN NICKEL PLATED.  
BOARD LOCK : 1.52µm MIN. TIN PLATED  
SCREW : 1.27µm MIN. NICKEL PLATED.

5 CHARACTERISTICS  
CURRENT RATING : 5A  
INSULATION RESISTANCE : 1000MOHMS MIN, 500VDC FOR 2MINS.  
TEMPERATURE RATING : -55DEGC ~ +105DEGC  
VOLTAGE RATING : 250VDC

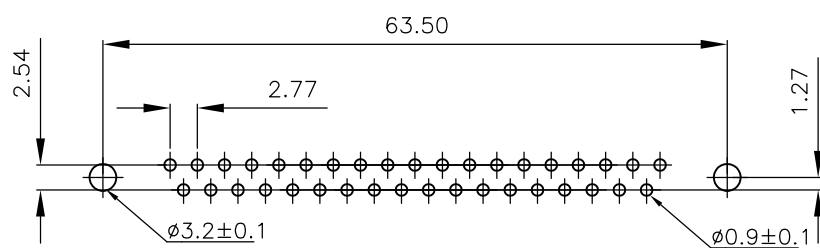
6 OBSOLETE PARTS: OBSOLETE CIS STREAMLINING PER D.RENAUD/D.SINISI.

INSERT OPTION  
(SEE TABLE FOR THREAD)

SCREW LOCK OPTION  
(SEE TABLE FOR THREAD)



P.C.B. LAYOUT



6 OBSOLETE	37 WAY D PLUG WITH BOARD LOCKS & 2 x M3 SCREW LOCKS, 0.38µm GOLD, RIGHT ANGLE	4-1634583-2
	37 WAY D PLUG WITH BOARD LOCKS & 2 x 4-40 SCREW LOCKS, 0.38µm GOLD, RIGHT ANGLE	3-1634583-2
6 OBSOLETE	37 WAY D PLUG WITH BOARD LOCKS & 2 x M3 INSERTS, 0.38µm GOLD, RIGHT ANGLE	2-1634583-2
	37 WAY D PLUG WITH BOARD LOCKS & 2 x 4-40 INSERTS, 0.38µm GOLD, RIGHT ANGLE	1-1634583-2
	DESCRIPTION	PART NO.

THIS DRAWING IS A CONTROLLED DOCUMENT.		DWN J.SANDWELL 15SEP2003	<b>STE</b> TE Connectivity	
DIMENSIONS: mm		CHK S.EBBUTT 15SEP2003		
TOLERANCES UNLESS OTHERWISE SPECIFIED:		APVD F.WHEELER-KING 15SEP2003	NAME 37 WAY D-SUB PLUG WITH BOARD LOCK	
0 PLC ± -		PRODUCT SPEC	SIZE	
1 PLC ± -		APPLICATION SPEC	CAGE CODE	
2 PLC ± -		WEIGHT	DRAWING NO	
3 PLC ± -		CUSTOMER DRAWING	RESTRICTED TO	
4 PLC ± -			SCALE NTS	
ANGLES ± -			SHEET 1 OF 2	
FINISH -			REV C	
MATERIAL SEE NOTE			A3 00779 C-1634583	

THIS DRAWING IS UNPUBLISHED.

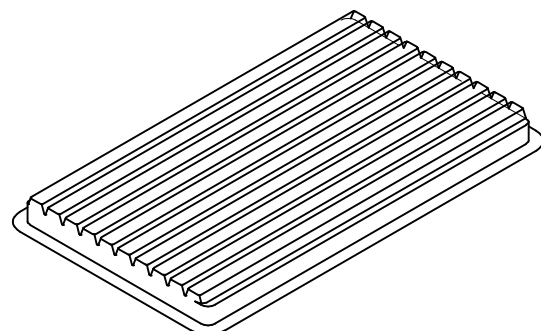
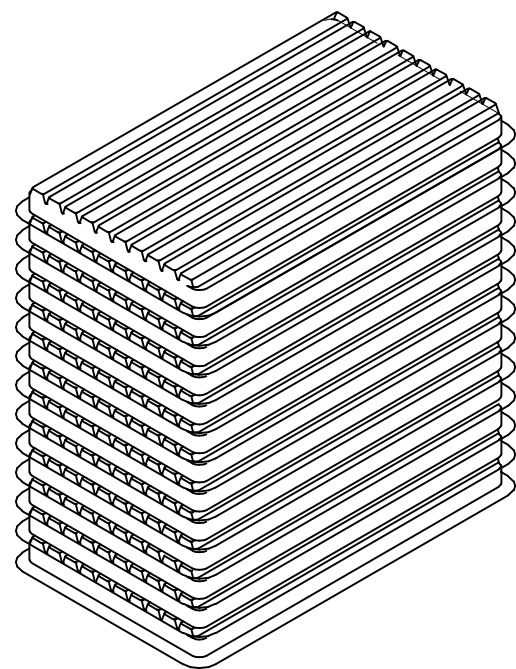
RELEASED FOR PUBLICATION

OCT , 2003.

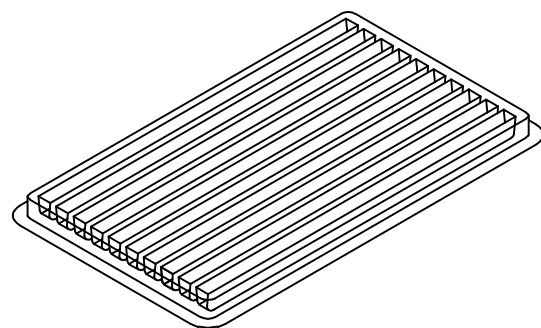
© COPYRIGHT 2003 By -

ALL RIGHTS RESERVED.

LOC	DIST	REVISIONS			
P	LTR	DESCRIPTION	DATE	DWN	APVD
	-	SEE SHEET 1	-	-	-



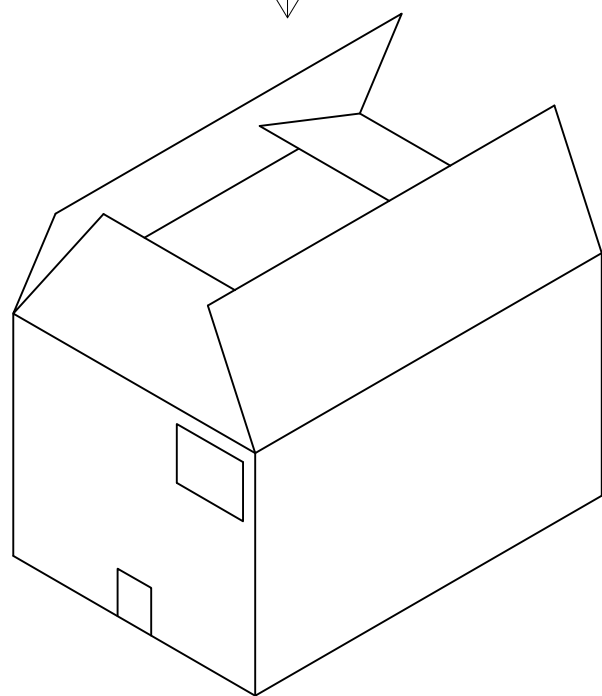
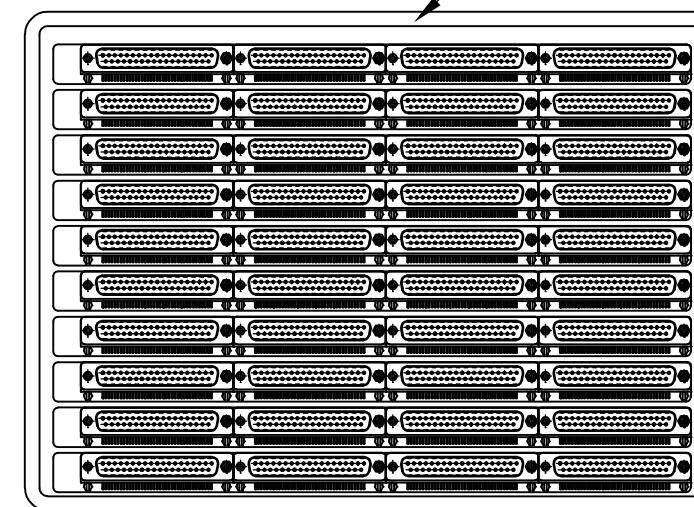
COVER




TRAY

- 1 DIMENSION:  
TRAY:L=310,W=220,H=23  
SHIPPING BOX:L=335,W=230,H=320
- 2 QUANTITY:  
40 PCS/TRAY  
13 TRAY/SHIPPING BOX

Tray Layout



THIS DRAWING IS A CONTROLLED DOCUMENT.		DWN J.SANDWELL 15SEP2003	 TE Connectivity														
DIMENSIONS: mm		CHK S.EBBUTT 15SEP2003															
TOLERANCES UNLESS OTHERWISE SPECIFIED:		APVD F.WHEELER-KING 15SEP2003	NAME 37 WAY D-SUB PLUG WITH BOARD LOCK														
<table border="1"> <tr><td>0 PLC</td><td>± -</td></tr> <tr><td>1 PLC</td><td>± -</td></tr> <tr><td>2 PLC</td><td>± -</td></tr> <tr><td>3 PLC</td><td>± -</td></tr> <tr><td>4 PLC</td><td>± -</td></tr> <tr><td>ANGLES</td><td>± -</td></tr> </table>		0 PLC	± -	1 PLC	± -	2 PLC	± -	3 PLC	± -	4 PLC	± -	ANGLES	± -	PRODUCT SPEC -	-		
0 PLC	± -																
1 PLC	± -																
2 PLC	± -																
3 PLC	± -																
4 PLC	± -																
ANGLES	± -																
MATERIAL SEE NOTE		FINISH -	APPLICATION SPEC -	SIZE A3	CAGE CODE 00779												
		WEIGHT -	DRAWING NO C-1634583	RESTRICTED TO -													
CUSTOMER DRAWING			SCALE NTS	SHEET 2 OF 2	REV C												