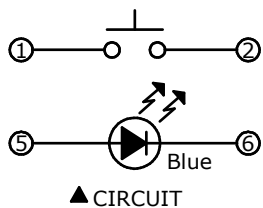
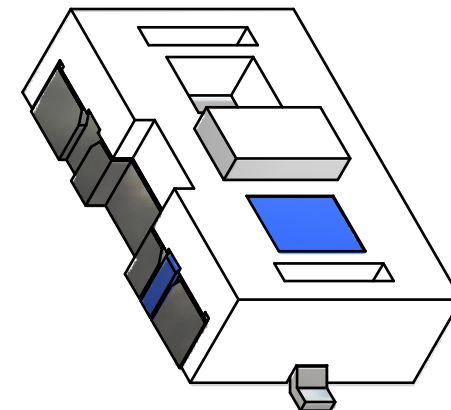
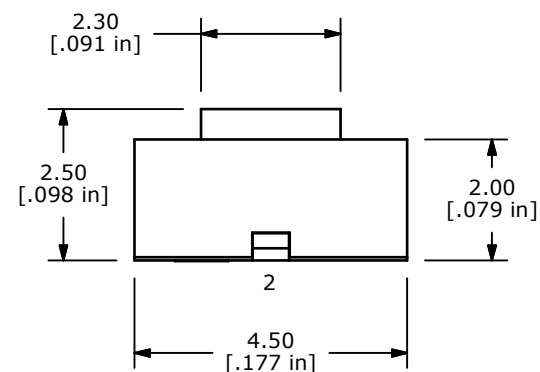
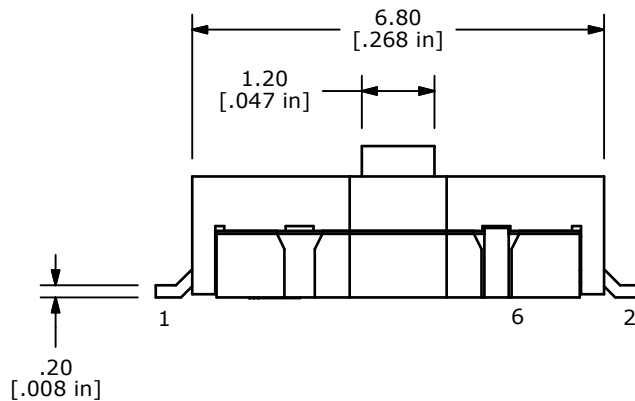
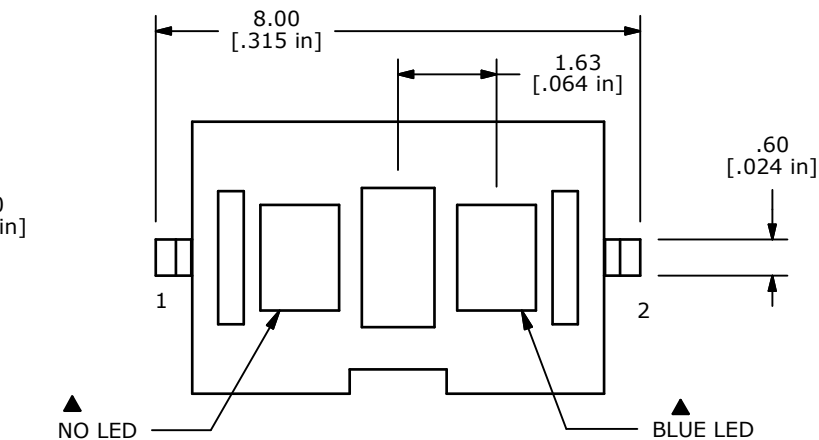


PC MOUNTING

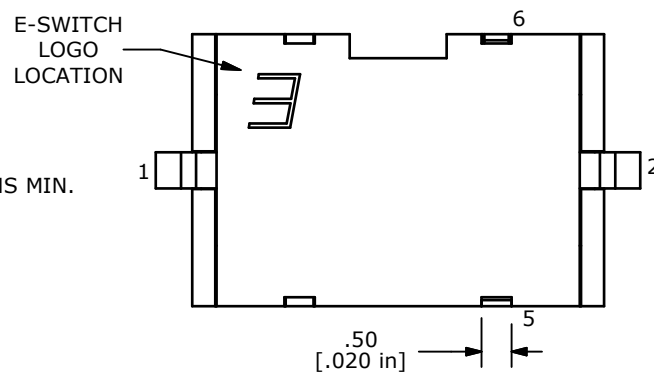


▲ CIRCUIT



NOTES:

1. ALL DIMENSIONS IN MM [INCH]
2. GENERAL TOLERANCE: X.X=± 0.4
X.XX=± 0.25
3. RATING: 12VDC, 50mA MAX.
4. CONTACT RESISTANCE: 500 Milli OHMS MAX.
5. INSULATION RESISTANCE: 100VDC, 100 Mega OHMS MIN.
6. TRAVEL: 0.25 mm
- ▲ 7. OPERATING FORCE: 160 +75/-30gf
8. OPERATING TEMPERATURE: -20°C TO 70°C
9. OPERATING LIFE: 30,000 CYCLES MIN.
10. PACKAGING: TAPE & REEL, 3000 PIECES PER REEL
11. ▲ DENOTES CRITICAL PARAMETER
12. 2002/95/EC (ROHS) COMPLIANT



LED Specifications	Units	Blue
Forward Current	mA	15
Forward Voltage	V	3.5-3.8
Luminous Intensity @20mA	mcd	45



TITLE TL3200AF160NBQ

A	19219	RELEASED FOR PRODUCTION	7/26/10	BLR
REV	PCR NO	DESCRIPTION	DATE	BY

SCALE	8:1	DATE	7/26/2010	DR	BLR	DWG	B200112	REV	A
-------	-----	------	-----------	----	-----	-----	---------	-----	---

THE INFORMATION CONTAINED IN THIS DOCUMENT IS PROPRIETARY TO E-SWITCH AND IS NOT TO BE COPIED OR TRANSFERRED