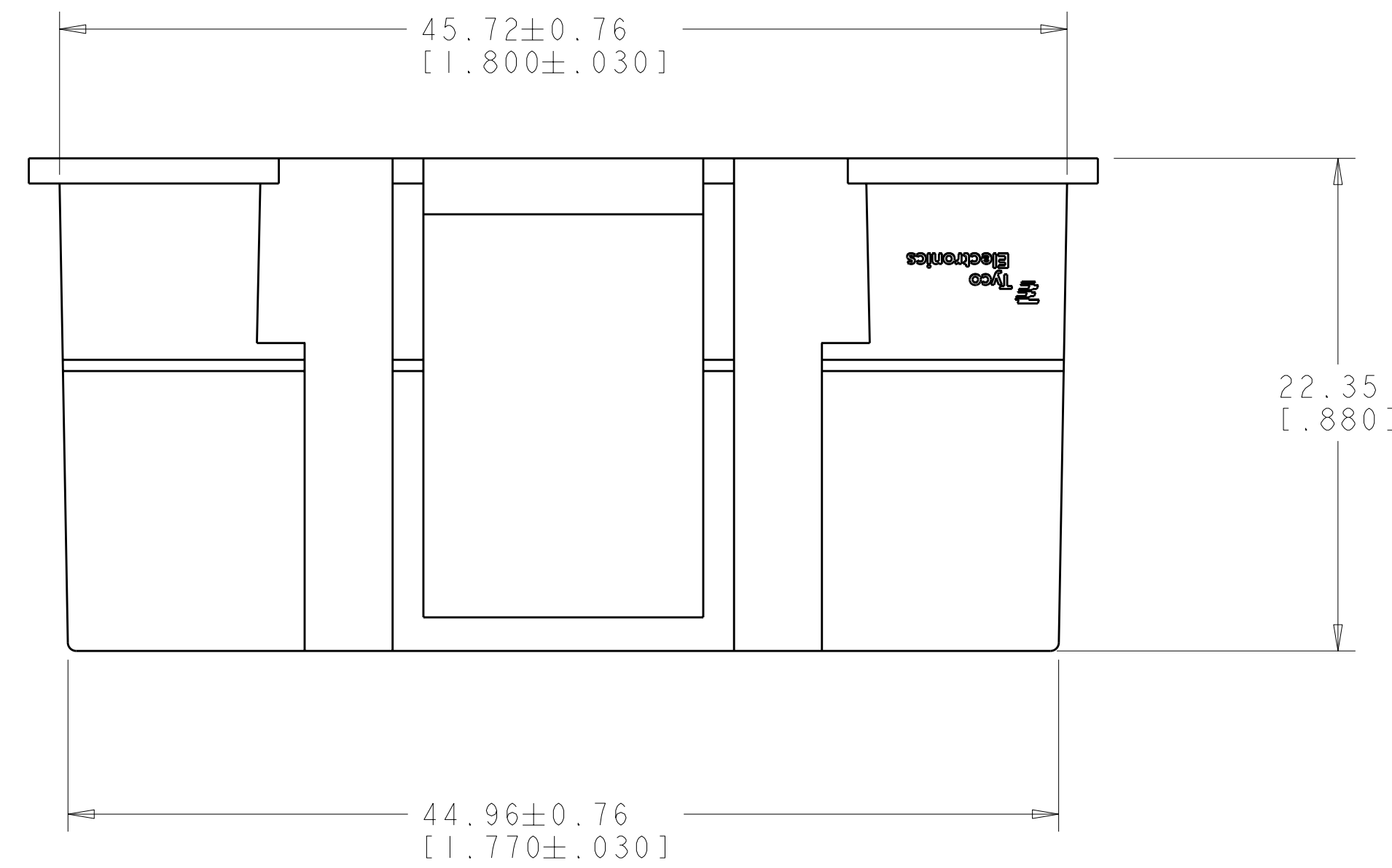
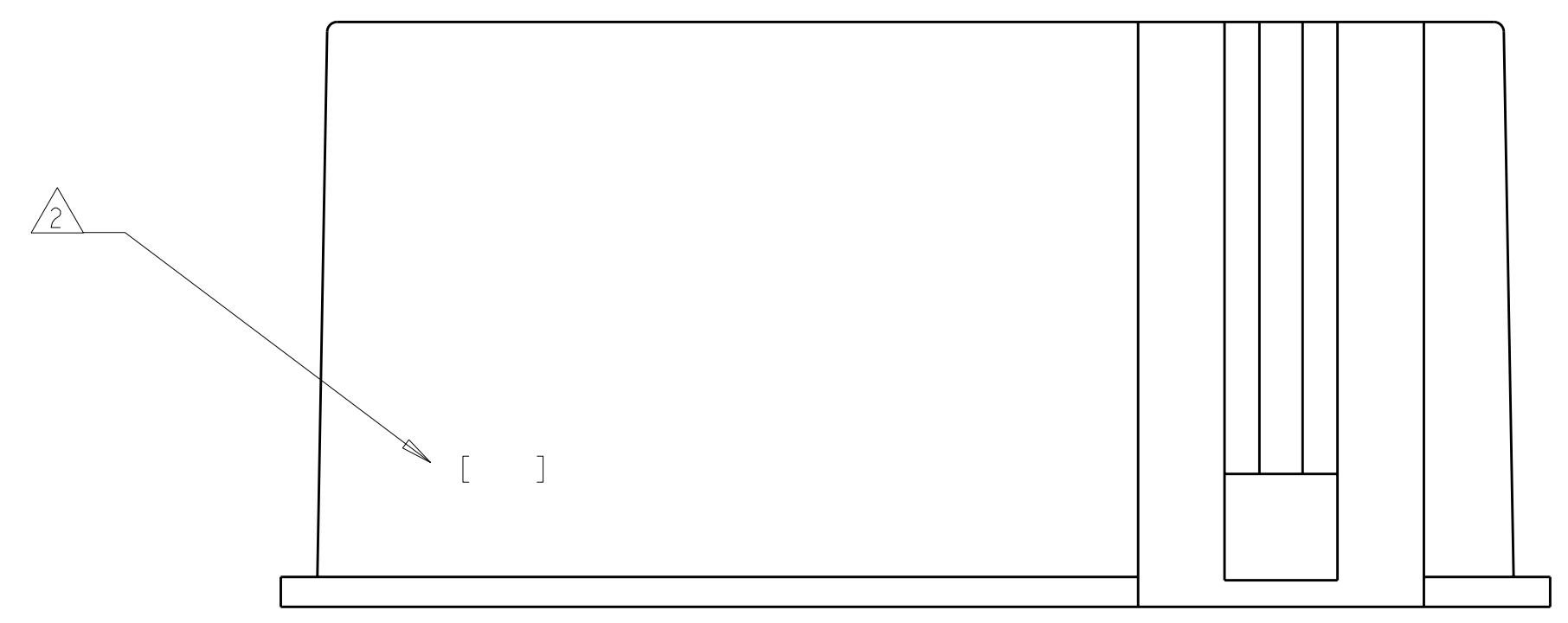
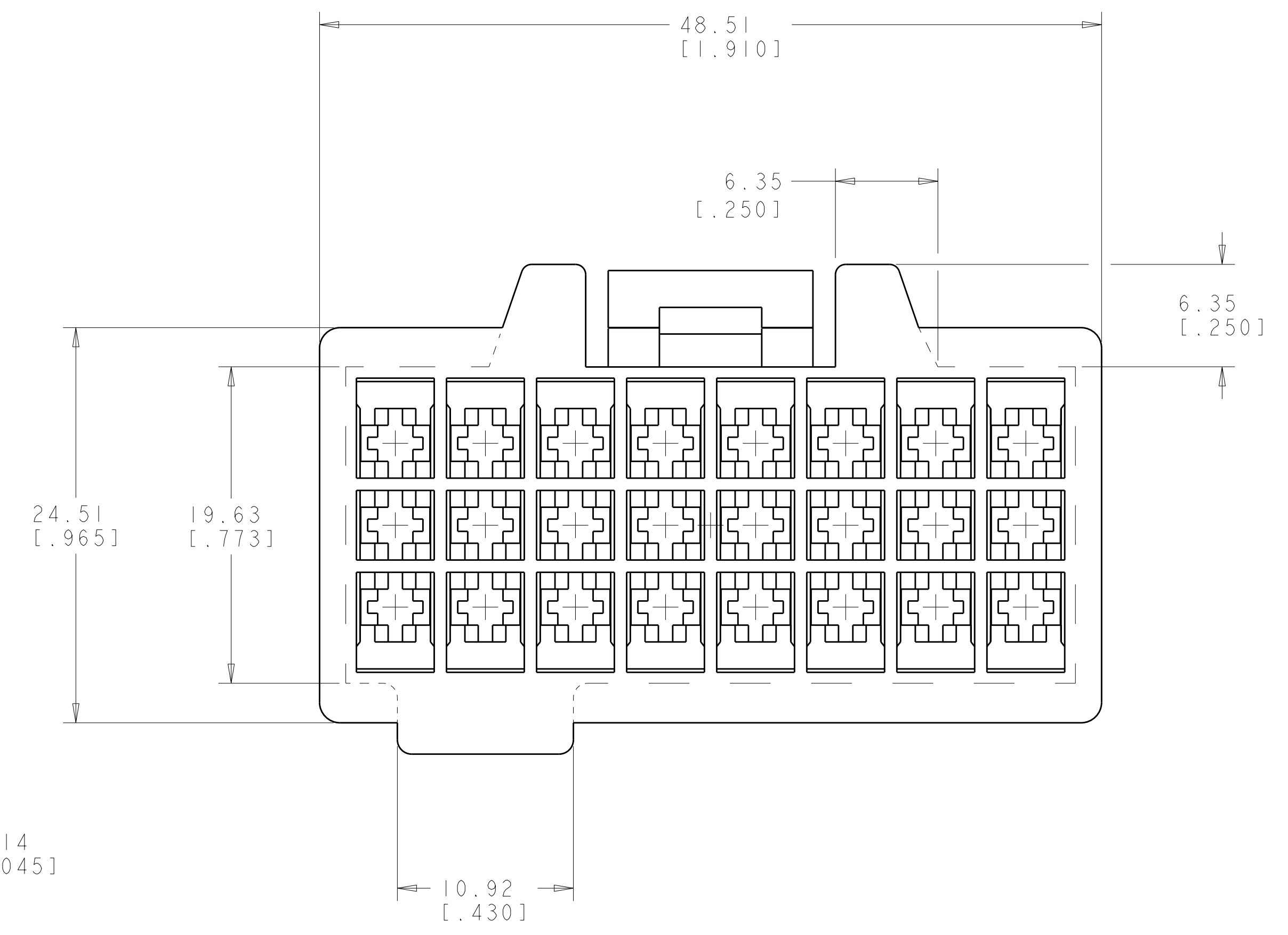
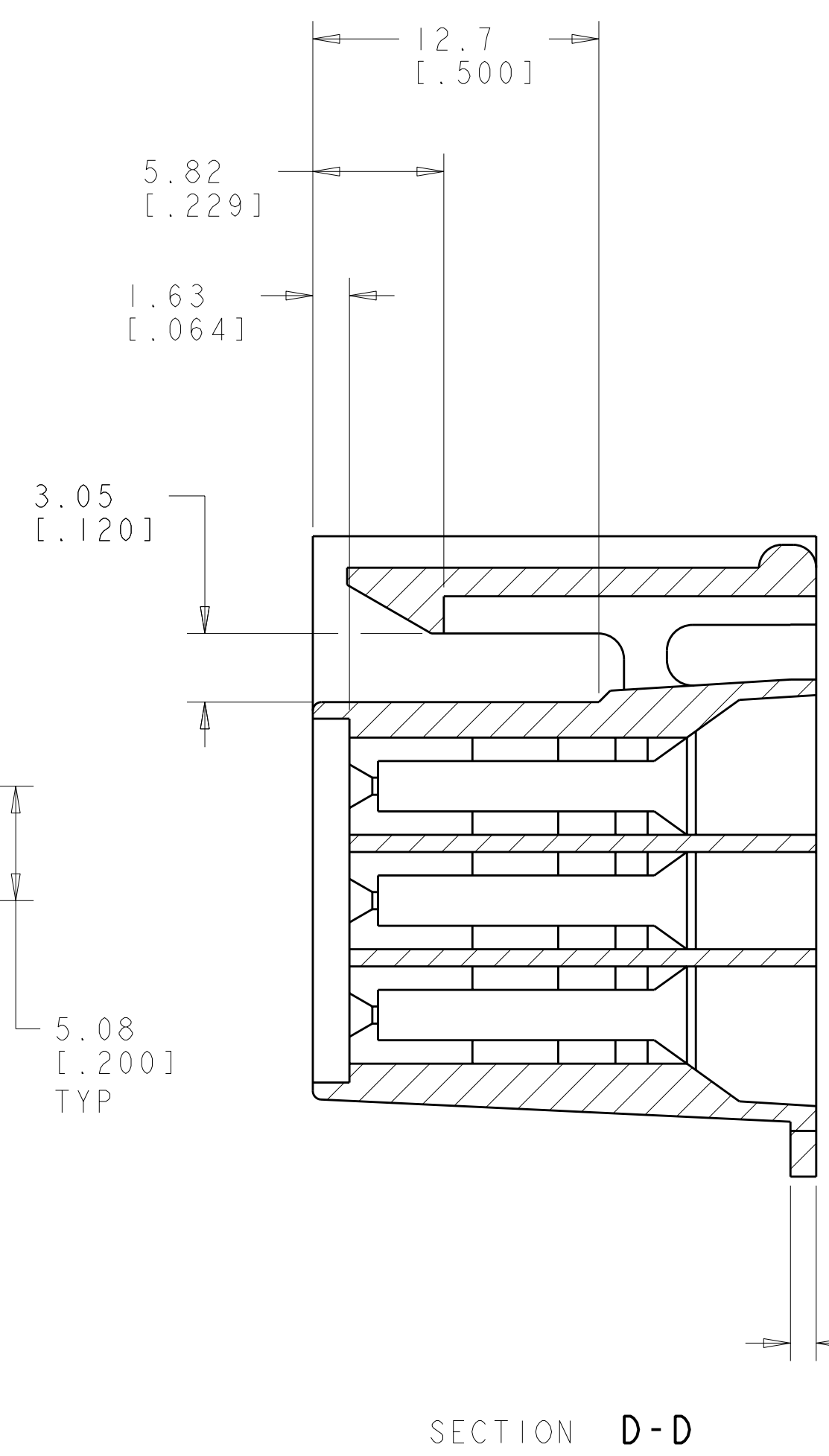
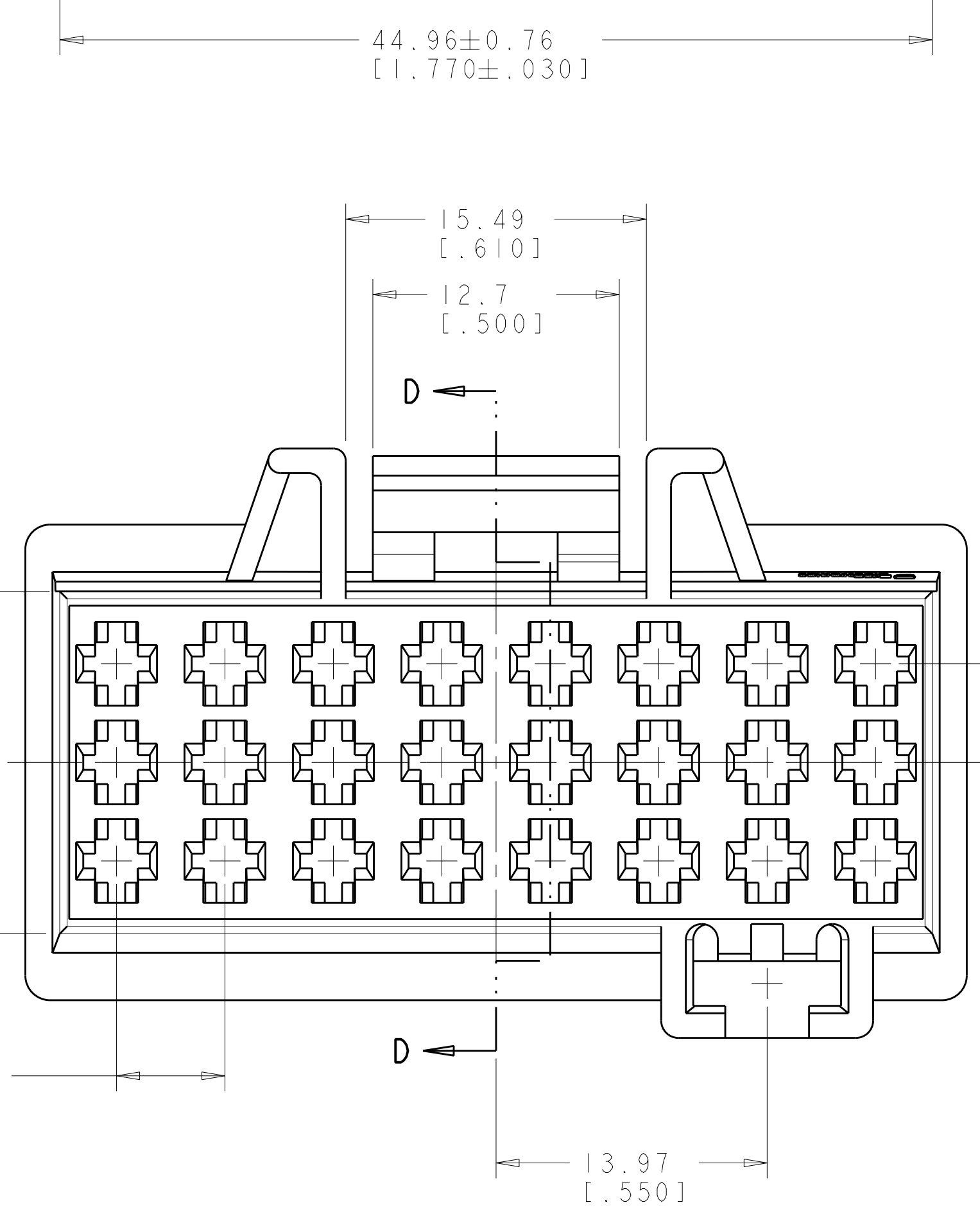


LOC		DIST		REVISIONS			
AF	50	REV	DATE	BY	CHK	APPV	
D		REVIS	13AUG09	JR		MS	
D1		REV PER ECO-09-018906	14AUG2009	RG		MS	



- 1 HOUSING ACCEPTS (24) 3.18[.125] RECEPTACLE CONTACT, PART NUMBER: 1217039-1.
- 2 DFE SYMBOL, (SEE TABLE), LOCATED APPROXIMATELY AS SHOWN.
- 3 PRE-PRODUCTION - F.A.S.R. REQUIRED.
- 4 PRELIMINARY - NOT FOR PRODUCTION.



>PA<	BLACK	NYLON, V2	4	521999-2
>PA<	BLACK	NYLON 66/6 UL94 VO	3	521999-1
DFE SYMBOL	COLOR	MATERIAL	PART NUMBER	
DIMENSIONS: mm [INCHES] TOLERANCES UNLESS OTHERWISE SPECIFIED: 9 PLC ± 1 PLC ±0.25 (1.010) 5 PLC ± 4 PLC ± ANGLES ± MATERIAL SEE TABLE FINISH SEE TABLE				
DWN RAGHAVENDRA 05APR2007 CHK J. KNOLL 06APR2007 APVD J. KNOLL 06APR2007		Tyco Electronics Harrisburg, PA 17105-3608		
PRODUCT SPEC APPLICATION SPEC		NAME HOUSING, 24 POSN. SIDE LATCHED, TIMER CONN. SIZE CAGE CODE DRAWING NO. RESTRICTED TO A1100779C=521999		
CUSTOMER DRAWING		SCALE 4:1	SHEET 1	REV D1