

**NOTES:**

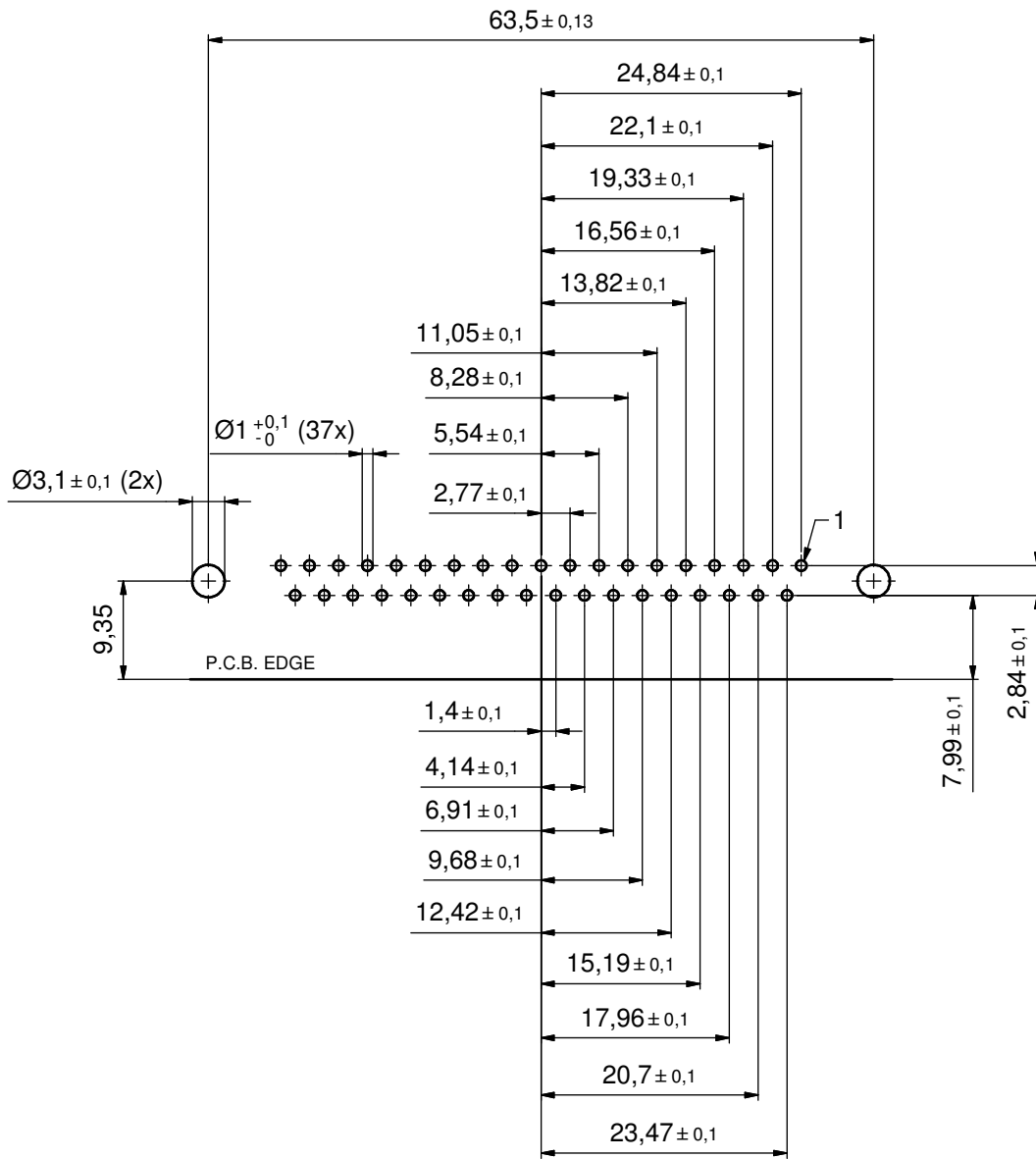
1. METAL SHELLS: STEEL; min. 315µm TIN over 40-80µm NICKEL
2. INSULATORS: PBT GF UL 94 V-0, BLACK
3. SIGNAL CONTACTS: COPPER ALLOY; PLATING (SEE PART NO.):
  - PLEASE ADD A for GOLD FLASH over NICKEL (PREFERRED TYPE)
  - PLEASE ADD B for 20µm HARD GOLD over min. 50µm NICKEL
  - PLEASE ADD C for 30µm HARD GOLD over min. 50µm NICKEL
4. METAL BRACKETS: ZINC DIE CAST; 300µm COPPER/40-120µm NICKEL/120-200µm TIN
5. THREADED INSERTS: COPPER ALLOY; min. 200µm TIN over 80µm NICKEL
6. FIXING-PLATE: PBT GF UL 94 V-0, BLACK
7. P.C.B. HOLE DRILLINGS ON SHEET 2
8. MAXIMUM TORQUE VALUE FOR THREAD: 6 in.LB
9. CONNECTOR IS PART MARKED: 164□11549X CONEC ABC (see note 3)

Directive 2002/95/EC RoHS compliant

THIS DRAWING MAY NOT BE COPIED OR REPRODUCED IN ANY WAY, AND MAY NOT BE PASSED ON TO A THIRD PARTY WITHOUT WRITTEN PERMISSION. OWNERSHIP AND COPYRIGHT OF CONEC GmbH DO NOT ALTER CAD DRAWING BY HAND	tolerance		dim. in mm		scale:	2:1 (5:1)	
					material:	SEE NOTES	
			date	name	title:		
			drawn	05.07.13	D-SUB FEMALE 90°		
			appd.	08.07.13	37pos. SOLDER PIN ANGLED 0.318inch with threaded insert, metal bracket, fixing-plate		
		norm			dwg no:	DIN-A3	
		d-old	16K1A653		sh: 1/2		
4 x b	A4827	05.07.2013	K.H.				part no: <b>(b) 16K1A3277</b>
a	Original						part no: <b>(b) 164□11549X</b> (see note 3)

# P.C.B. HOLE DRILLINGS

( P.C.B. TOP SIDE )



THIS DRAWING MAY NOT BE COPIED OR REPRODUCED IN ANY WAY, AND MAY NOT BE PASSED ON TO A THIRD PARTY WITHOUT WRITTEN PERMISSION. OWNERSHIP AND COPYRIGHT OF CONEC GmbH DO NOT ALTER CAD DRAWING BY HAND				tolerance		scale: 2:1
				dim. in mm		material: SEE SHEET 1
	drawn	05.07.13	Henneboel	title:		
	appd.	05.07.13	Fischer	P.C.B. HOLE DRILLINGS		
	norm			D-SUB FEMALE 37pos. 0.318inch		
d-old	16KIIUA		with threaded insert, metal bracket, fixing-plate			
a	Original			dwg no:		DIN-A3
rev.	description	date	name	16K1A3277		sh: 2/2
				part no: SEE SHEET 1		

