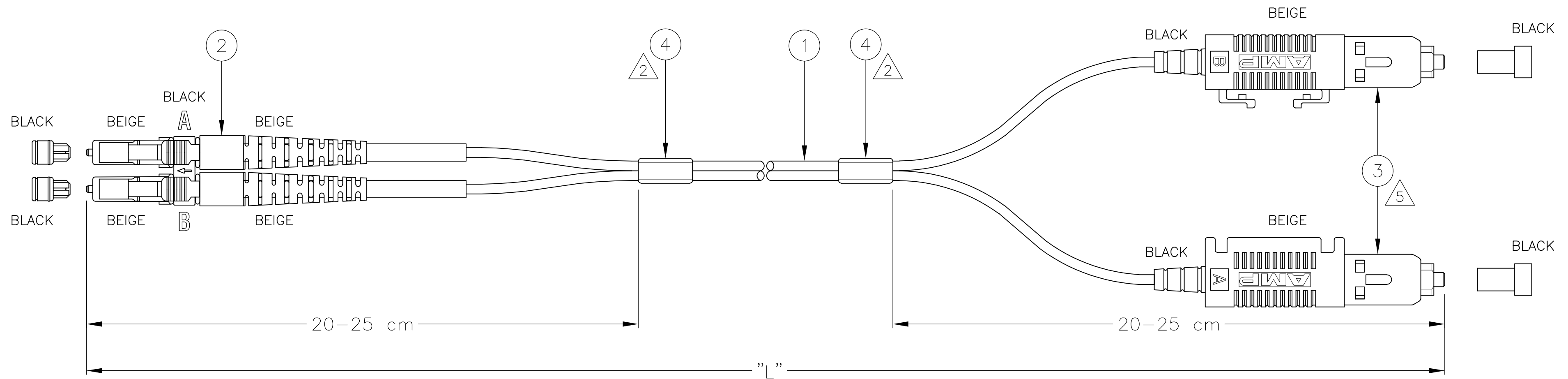


THIS DRAWING IS UNPUBLISHED. RELEASED FOR PUBLICATION
 © COPYRIGHT BY TYCO ELECTRONICS CORPORATION. ALL INTERNATIONAL RIGHTS RESERVED.

LOC	DIST	REVISIONS					
H	-	P	LTR	DESCRIPTION	DATE	DWN	APVD
		G		ECR-09-013985	07JUL2009	RC	AH



LC CONN. SIDE MARK	SC CONN. MARK
A	B
B	A

NOTES:

- 1 ATTENUATION ≤ 0.3 dB, MEASURED AT 1300 nm ACC. TO I.E.C. 61300-3-4 METHOD B
- 2 BLANK LABEL
- 3 FILLED OUT TEST RESULT SHEET SUPPLIED WITH EACH INDIVIDUALLY PACKED ASSEMBLY
- 4 CABLE INFORMATION:
 - CORE DIAMETER: 50/125 μm
 - OUTER JACKET DIAMETER: 1.8x3.6 mm
 - OUTER JACKET COLOUR: ORANGE
 - OUTER JACKET MATERIAL: LSZH
- 5 SC DUPLEX CONNECTORS ARE LEFT UNASSEMBLED AS SHOWN
INDIVIDUAL LENGTH DIFFERENCE < 5 mm
- 6 ADDITIONAL ATTENUATION FOR LONG LEADS
ACC. TO CUSTOMER DRAWING 1920435
- 7 DELIVERED ON A REEL IN A BOX

STANDARD LENGTHS ACCORDING TO CUSTOMER DRAWING 1206850	
PART NUMBER	"L" (meter)
X-6536509-Y	XY.0
8-6536509-1	100.0 -0/+5

2	BLANK LABEL	4
1	SC DUPLEX CONNECTOR, MULTI MODE, BEIGE	3
1	LC DUPLEX CONNECTOR, MULTI MODE, BEIGE	2
L	FOCAB 1.8MZ 50/125, ORANGE LSZH	1
Qty	Description	Item
THIS DRAWING IS A CONTROLLED DOCUMENT.		
DIMENSIONS: mm 		TOLERANCES UNLESS OTHERWISE SPECIFIED: 0 PLC ± - 1 PLC ± - 2 PLC ± - 3 PLC ± - 4 PLC ± - ANGLES ± - FINISH -
MATERIAL - WEIGHT - CUSTOMER DRAWING		DWN R. COOLEN 01AUG2007 CHK A. HENGELMOLEN 10AUG2007 APVD A. HENGELMOLEN 10AUG2007 NAME Tyco Electronics Corporation 's-Hertogenbosch, Nederland FOMM50 LEAD 1.8MZ LC/PC - SC/PC DUPLEX SIZE A2 CAGE CODE 00779 C=6536509 DRAWING NO. RESTRICTED TO SCALE NTS SHEET 1 of 1 REV G