

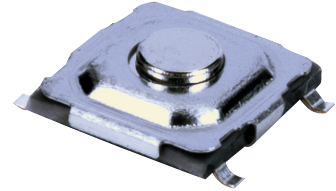
## SERIES 95C 5mm Square

### FEATURES

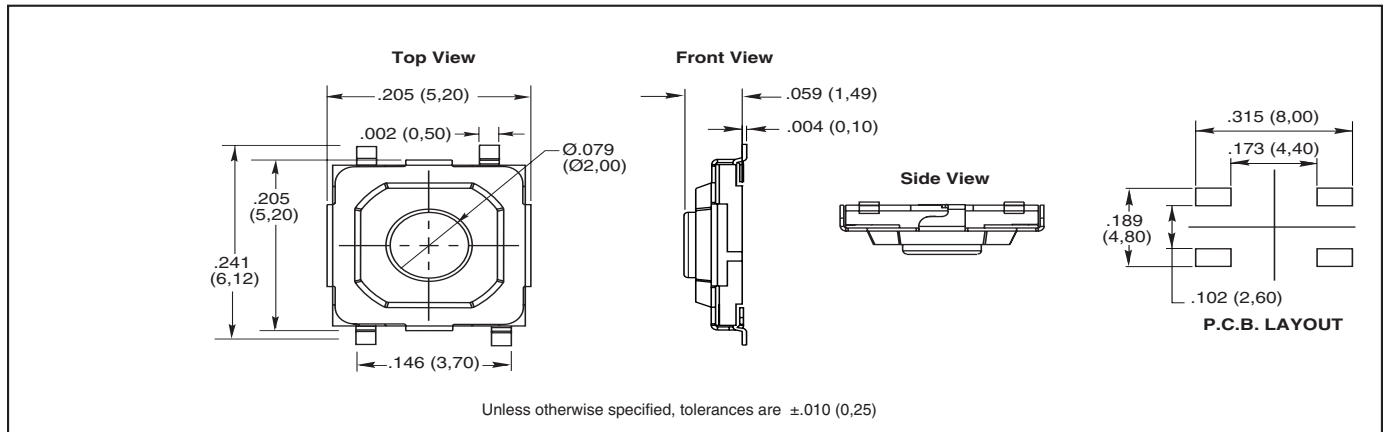
- Excellent Tactile Feedback
- Compatible with SMT Assembly Including Infrared and Vapor Phase
- Ultraminiature and Lightweight Structure Suitable for High Density Mounting

### APPLICATIONS

Used in applications such as consumer electronics, audio equipment, PCs, VCRs, cable boxes, modems, communications equipment, controls, security and alarm equipment, and test and measurement equipment.



### DIMENSIONS in inches (and millimeters)



### SPECIFICATIONS

#### Materials

**Base:** UL94V-0 LCP thermoplastic

**Cover:** Nickel silver

**Actuator:** Brass with nickel-plating

**Terminal:** Brass with silver-plating

**Contact:** Stainless steel with silver-plating

#### Electrical

**Rating:** 50mA, 12 Vdc

**Life:** 160g: 1,000,000 cycles;

260g: 200,000 cycles

**Actuator Travel:** .010" + .008" / - .004"

**Contact Resistance:** 100 mΩ max.

**Insulation Resistance:** 100 MΩ min. at 500Vdc

**Dielectric Strength:** No dielectric breakdown after 250V for one minute.

**Contact Arrangement:** single pole, single throw

#### Environmental

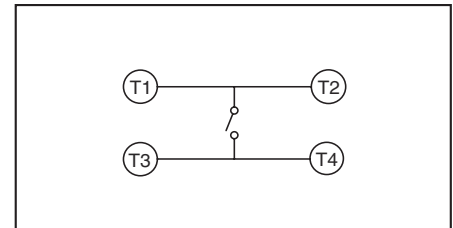
**Operating Temp. Range:** -25 to 70°C

**Storage Temp. Range:** -30 to 80°C

**Mechanical Shock:** MIL-STD-202F, Method 213B, Test Condition A. Gravity: 50G (peak value), 11 msec. Direction and times: 6 sides and 3 times in each direction.

**Vibration:** MIL-STD-202F, Method 201A. Passed 6 hours (2 hours in each) of three perpendicular planes at a cycle of 10-55-10Hz/minute.

### CIRCUITRY



#### Soldering Process

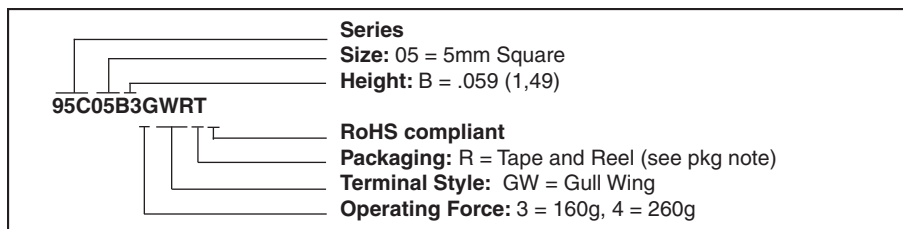
**Hand Soldering:** Use a soldering iron of 30 watts, controlled at 350°C for 5 seconds maximum while applying solder.

**Reflow Soldering:** Peak temperature 260°C (500°F).

#### Packaging

Tape and Reel: 4000 pcs/reel.

### ORDERING INFORMATION



Available from your local Grayhill Component Distributor.

For prices and discounts, contact a local Sales Office, an authorized local distributor, or Grayhill.