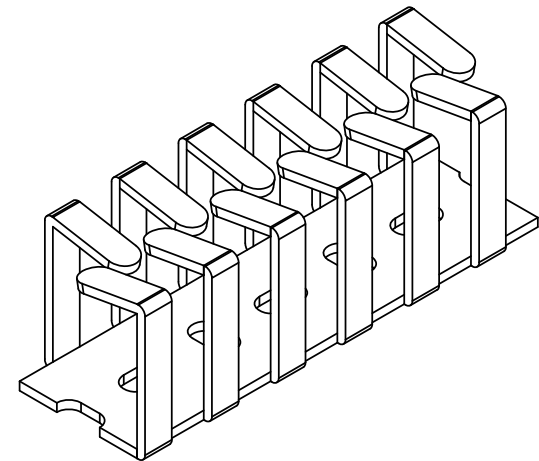
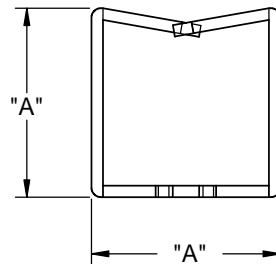


PART NO.	EXT. DIM. "A"	MOUNTING METHOD	INT. SECTION IN ² [MM ²]
*RX1313-0	.49 [12.5]	SCREW	.171 [110.0]
*RX1313-4		ADHESIVE	
RX1616-0	.63 [16.0]	SCREW	287 [185.0]
RX1616-4		ADHESIVE	
RX2020-0	.79 [20.0]	SCREW	.496 [320.0]
RX2020-4		ADHESIVE	
RX2525-0	.98 [25.0]	SCREW	.775 [500.0]
RX2525-4		ADHESIVE	
RX3030-0	1.18 [30.0]	SCREW	1.116 [720]
RX3030-4		ADHESIVE	
RX4040-0	1.57 [40.0]	SCREW	2.046 [1320.0]
RX4040-4		ADHESIVE	
RX5050-0	1.97 [50.0]	SCREW	3.162 [2040.0]
RX5050-4		ADHESIVE	

*ONLY ON THESE TWO PARTS,
ALL HOLES HAVE THE SAME ORIENTATION



- NOTES:
1. MATERIAL: POLYPROPYLENE (RMS-177).
 2. COLOR: GRAY RAL7040.
 3. SHR CAT INSTALLATION TOOL SERIES CAN BE USED FOR QUICK HARNESS ASSEMBLY
 4. DOUBLE SIDED ADHESIVE TAPE (RMS-93).
 5. SCREW MOUNT CHANNEL IS UL LISTED



TITLE: CHANNEL, FLEXIBLE (RICHFLEX)				DWG IN IN [MM]		FINAL		PRINT TYPE	
CREATED USING SOLIDWORKS		FILE #: RX XXXX-X		DWN: SM		APP: -		PART #	
TOLERANCES UNLESS NOTED		SHEET: 1 OF 2		SHEET SIZE: A		DT: 01/04/05		CHKD: -	
.XX=±.010		RE: RICHCO, INC.		RICHCO, INC.		ENG@RICHCO-INC.COM		SEE TABLE	
.XXX=±.005				ENG (773) 539-4060				CA	
FRAC.=±1/64									
ANG.=±1°									
REV.	DESCRIPTION	ENGR.	DATE						

G	REMOVED V-0 MATERIAL, SEE CO 200625	SK	02/16/11
F	SEE CO 200072	SK	11/28/07
E	SEE ECN #903 FOR CHANGES	SM	01/04/05
-	SEE ENGINEERING FOR REV A-D	--	----
REV.	DESCRIPTION	ENGR.	DATE