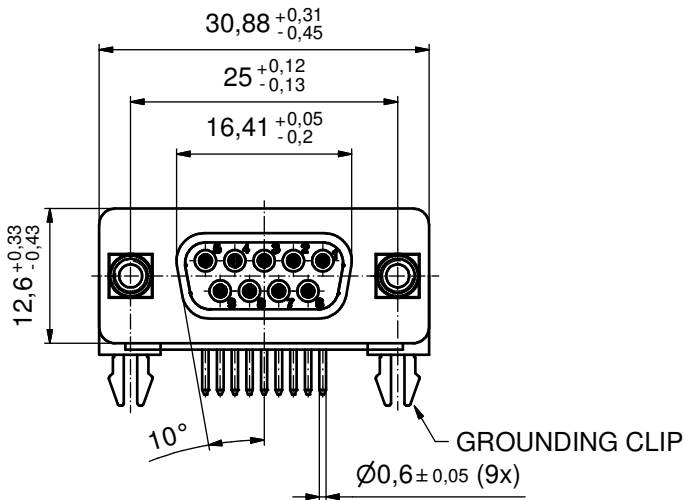
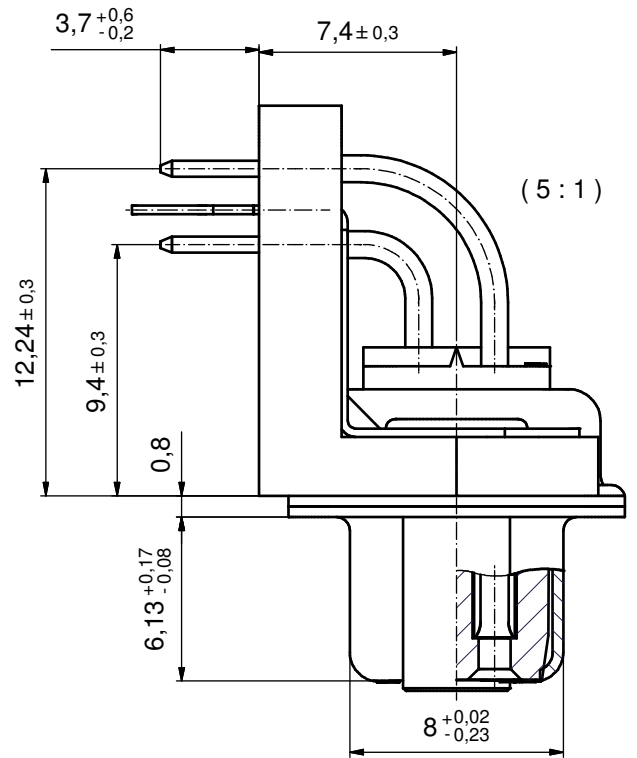
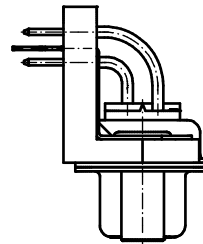
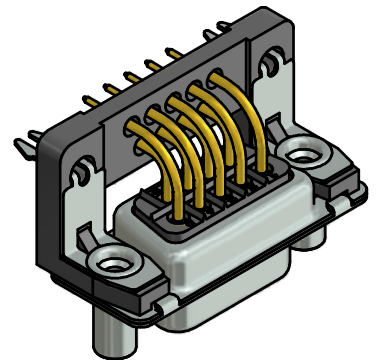
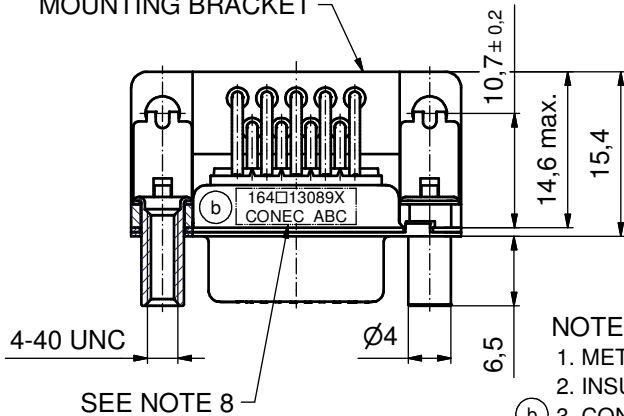


P.C.B. HOLE DRILLINGS
(P.C.B. TOP SIDE)



MOUNTING BRACKET



NOTES:

- METALSHELLS: STEEL; min. 315µm TIN over 40-80µm NICKEL
- INSULATORS: PBT GF UL 94 V-0, BLACK
- CONTACTS: COPPER ALLOY; PLATING (SEE PART NO.):
 PLEASE ADD A for GOLD FLASH over NICKEL (PREFERRED TYPE)
 PLEASE ADD B for 20µm HARD GOLD over min. 50µm NICKEL
 PLEASE ADD C for 30µm HARD GOLD over min. 50µm NICKEL
- MOUNTING BRACKET: PBT GF UL 94 V-0, BLACK
- THREADED LOCKS: COPPER ALLOY; min. 200µm TIN over 80µm NICKEL
- GROUNDING CLIPS: COPPER ALLOY; min. 200µm TIN over 80µm NICKEL
 PCB-HOLE: ø3.1±0.1; PCB THICKNESS 1.6mm
- MAXIMUM TORQUE VALUE FOR THREAD: 6 in.LB
- CONNECTOR IS PART MARKED: 164□13089X CONEC ABC (see note 3)

THIS DRAWING MAY NOT BE COPIED OR REPRODUCED IN ANY WAY, AND MAY NOT BE PASSED ON TO A THIRD PARTY WITHOUT WRITTEN PERMISSION. OWNERSHIP AND COPYRIGHT OF CONEC GmbH DO NOT ALTER CAD DRAWING BY HAND	tolerance		dim. in mm		scale:	2:1 (5:1)
					material:	SEE NOTES
	drawn	25.02.09	Lehmenkühler		title: D-SUB FEMALE 90° 9pos. SOLDER PIN ANGLED 0.370inch thread lock,mounting bracket,grounding clip	
	appd.	25.02.09	Fischer			
	norm					
d-old	16K2A1148		dwg no:		DIN-A3	
3 x b	A5273	10.07.2014	K.H.		sh: 1	
a	Original			part no:		16K1A1148
rev.	description	date	name	part no:		164□13089X (see note 3)

