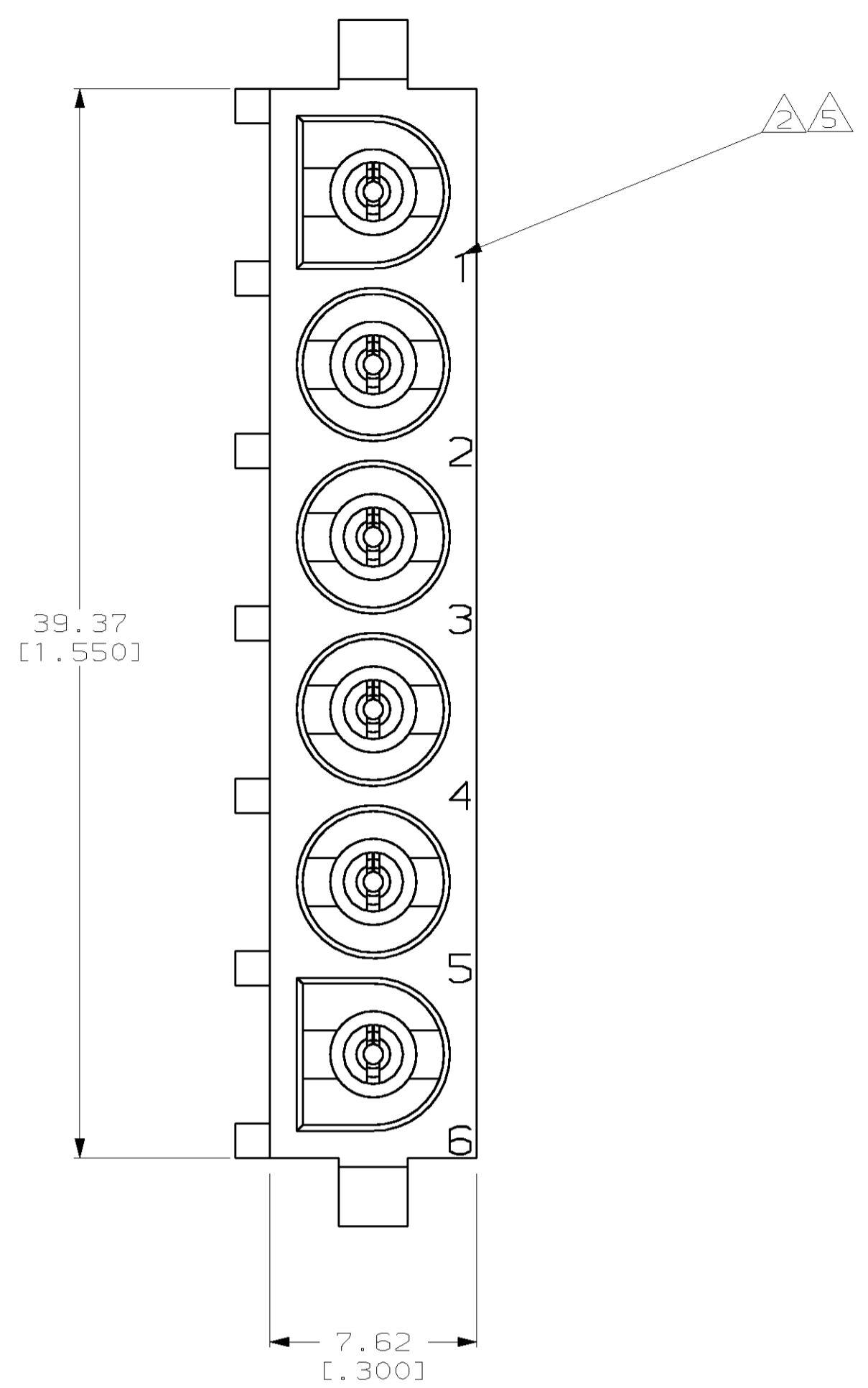
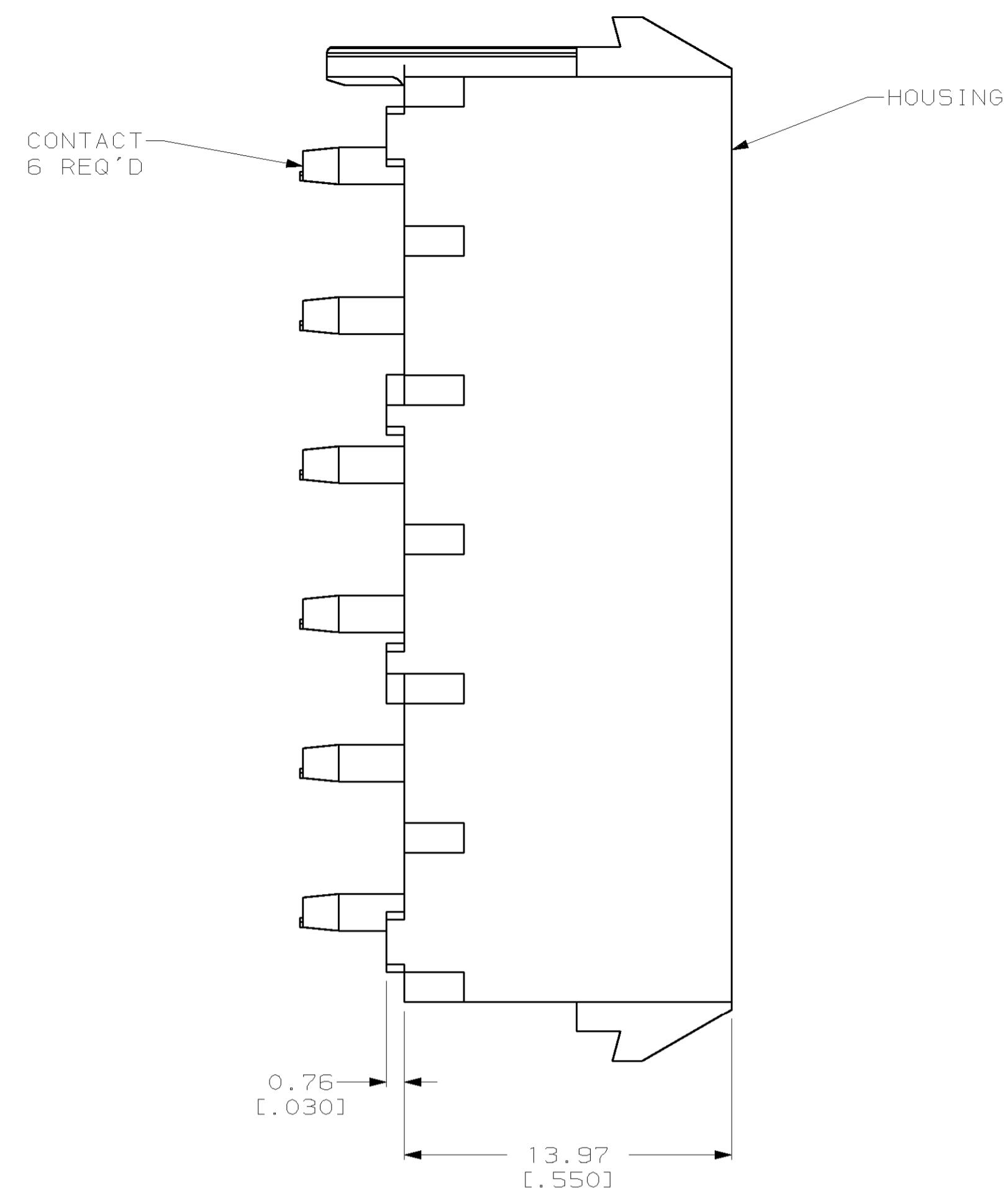
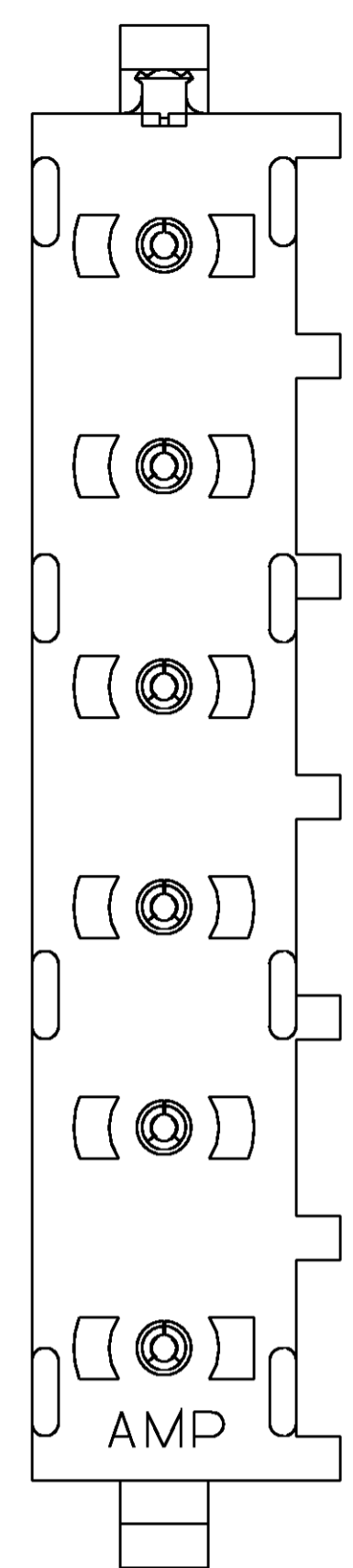
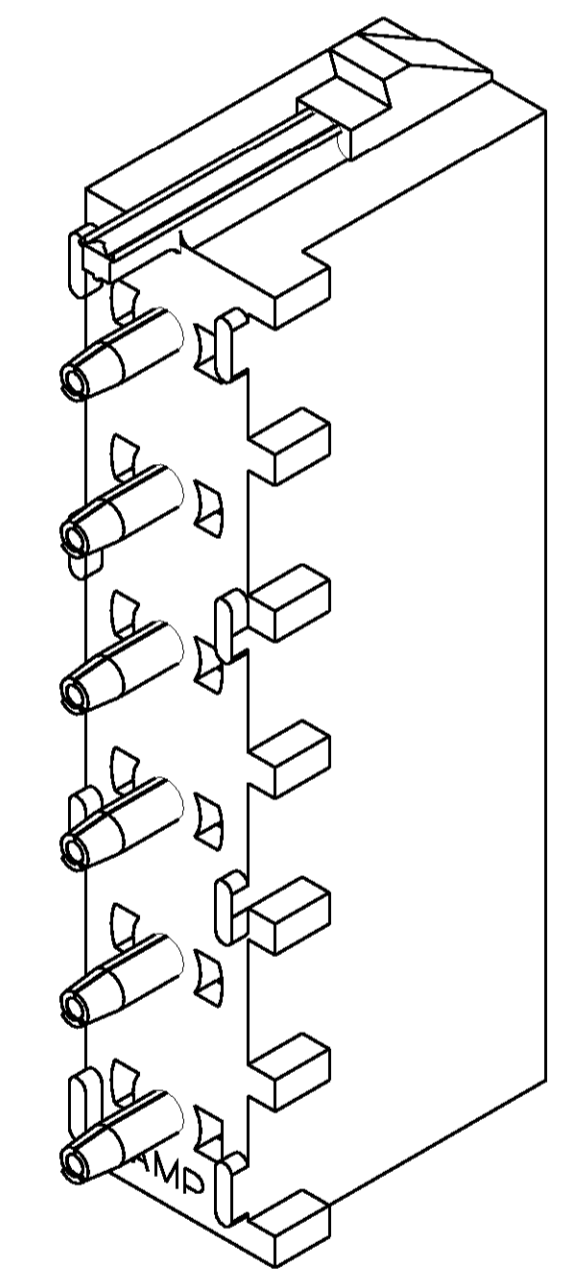


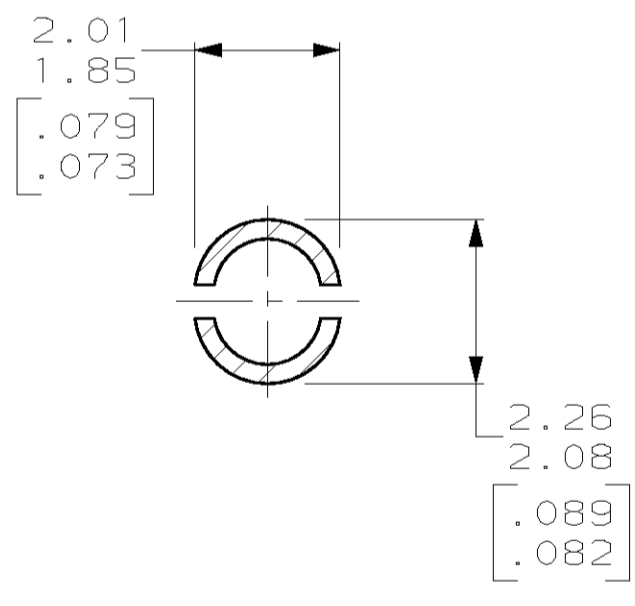
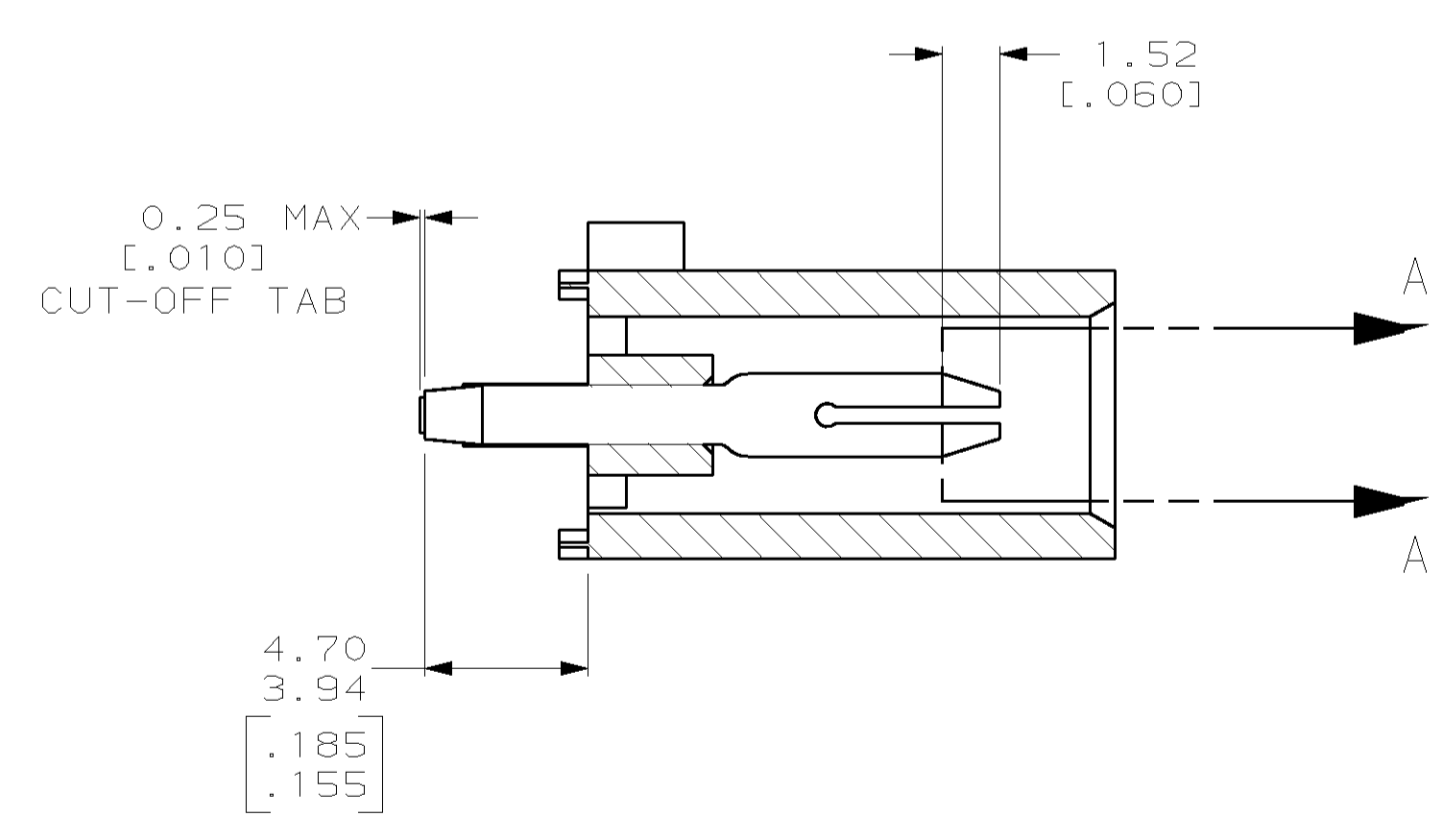
| LOC | DIST | REVISIONS | | | |
|-----|------|-----------------------------|-----------|-----|------|
| F | CHR | DESCRIPTION | DATE | ENR | APVD |
| L | | REVISED PER EC 063B-0295-00 | 23-JUN-00 | LM | KC |



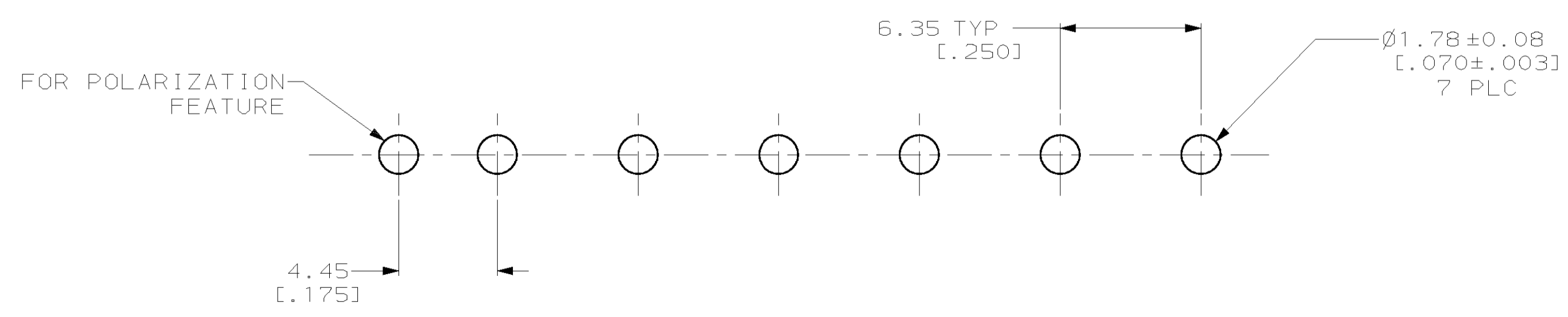
- PARTS COMPLY TO AMP SOLDERABILITY SPECIFICATION 109-11-3.
- CIRCUIT IDENTIFICATION CHARACTERS ARE ADJACENT TO THE INDICATED CAVITIES, BUT LOCATION AND ORIENTATION MAY DIFFER FROM PRINT.
- DIMENSIONS IN BRACKETS ARE IN INCHES.
- IDENTIFICATION WILL APPEAR AT CIRCUIT NO. 1, OTHERS OPTIONAL.



3-DIMENSIONAL MODEL
NTS



SECTION A-A
SCALE 10:1



RECOMMENDED MOUNTING HOLE PATTERN
FOR 1.57 [.062] THICK P.C. BOARD

| | | |
|---|---|---|
| PHOSPHOR BRONZE, PRE-TIN PIN CONTACT MATERIAL AND FINISH | NYLON, UL94V-2, NATURAL HOUSING MATERIAL | 643407-1 PART NO |
| THIS DRAWING IS A CONTROLLED DOCUMENT. | | AMP Incorporated Harrisburg, PA 17105-3608 |
| DIMENSIONS: mm (INCHES) | TOLERANCES UNLESS OTHERWISE SPECIFIED: | AMP K. COBLE AMP K. COBLE |
| 0 PLC ± | 1 PLC ± | PRODUCT SPEC |
| 2 PLC ±0.13 (.005) | 3 PLC ± | APPLICATION SPEC |
| 4 PLC ± | ANGLES 40°-30° | SIZE CAGE CODE DRAWING NO |
| MATERIAL SEE TABLE | FINISH SEE TABLE | WEIGHT - A1 00779 C-643407 |
| CUSTOMER DRAWING | | SCALE 5:1 SHEET 1 OF 1 REV L |

