

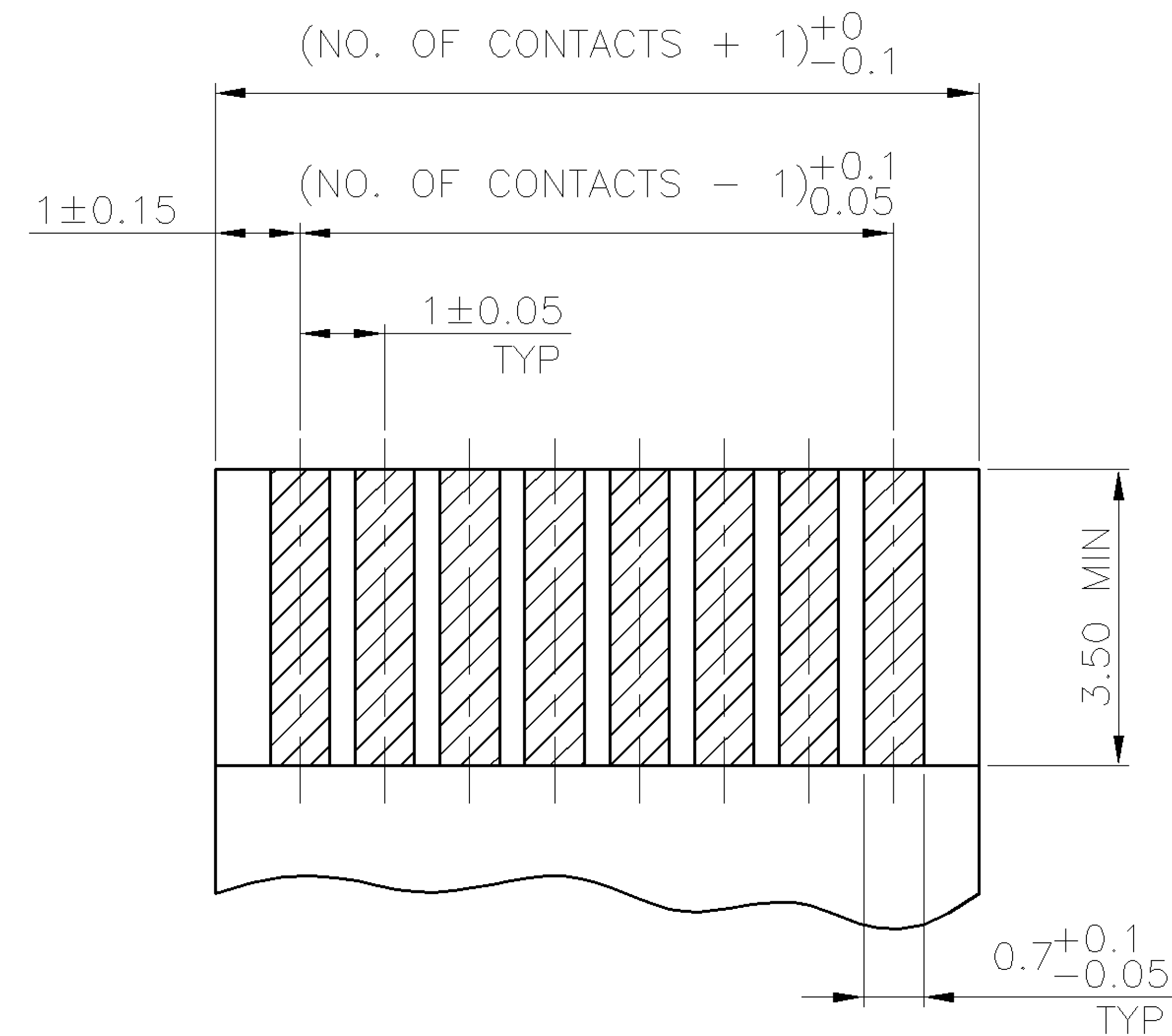
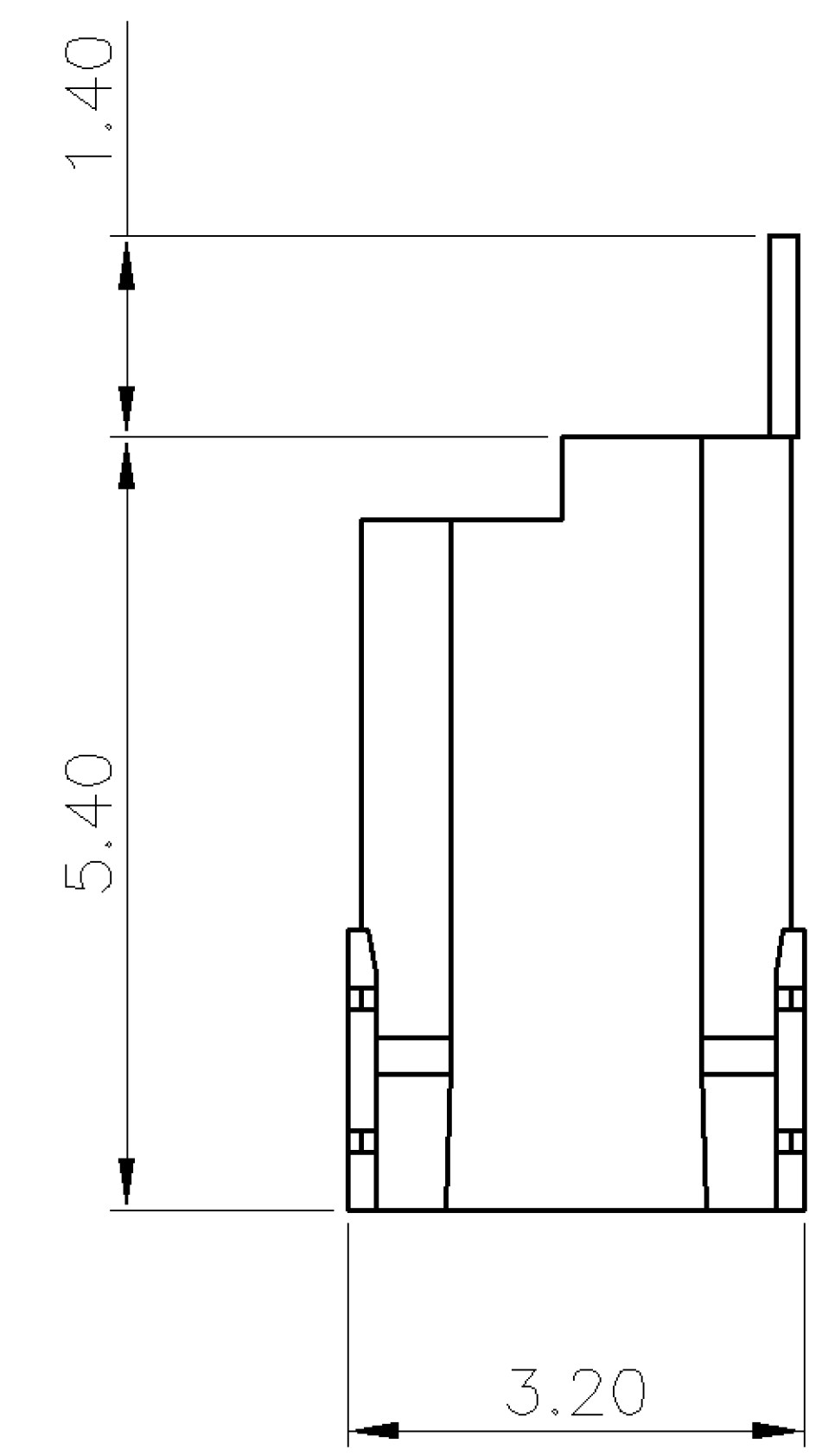
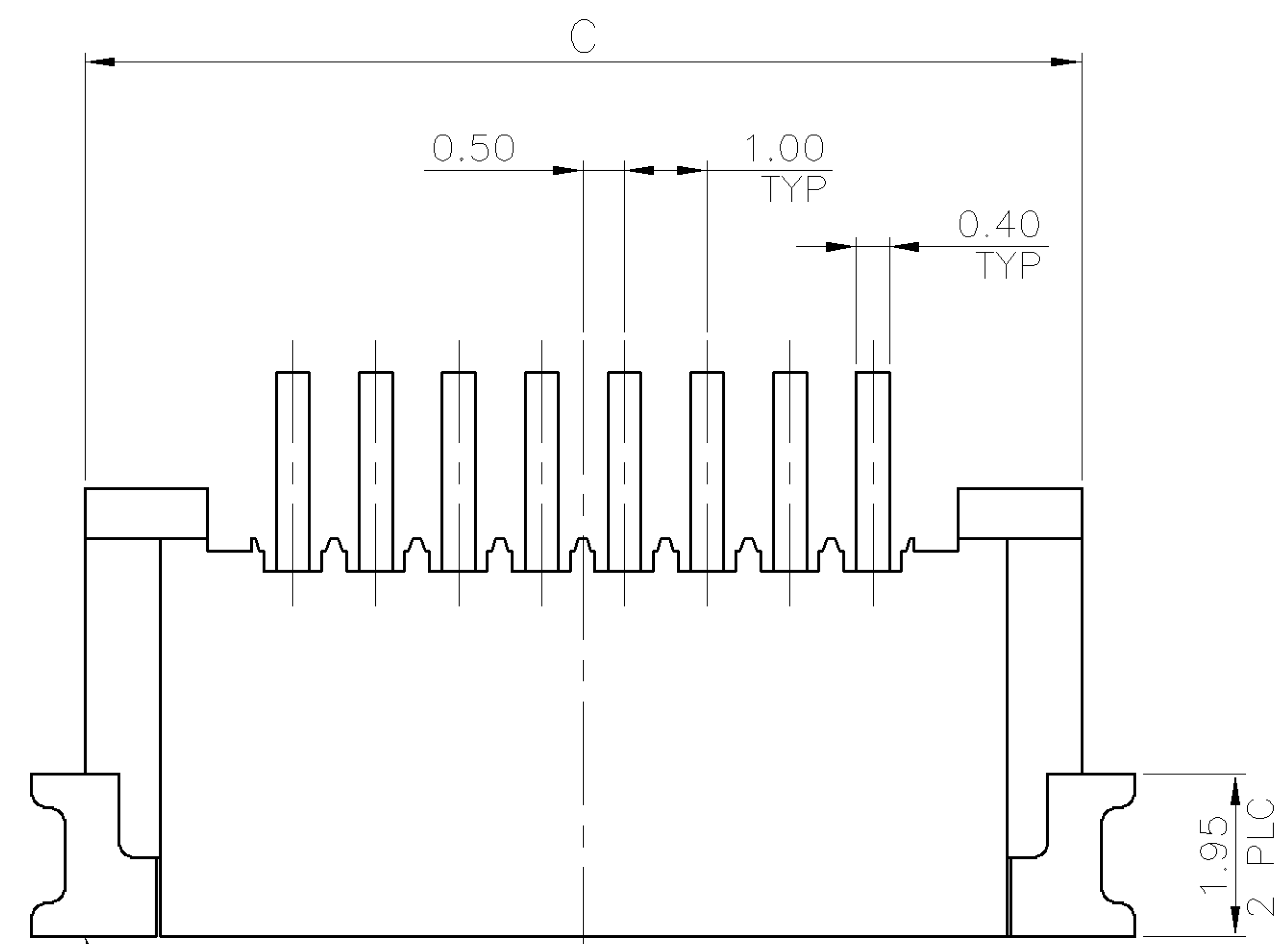
NUMBER  
C-1734798

3RD ANGLE PROJECTION

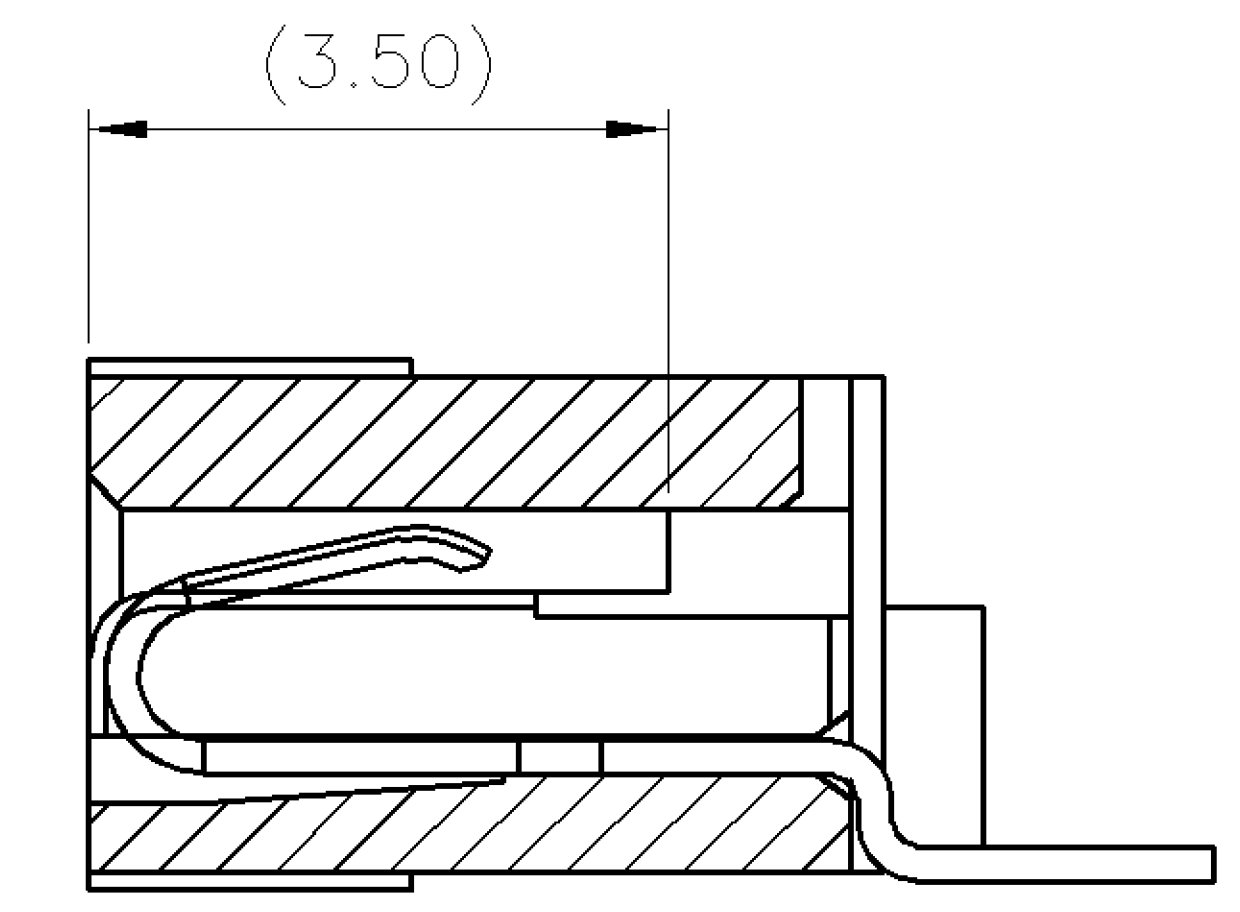
METRIC

DIMENSIONS IN MILLIMETERS. DO NOT SCALE PRINT.

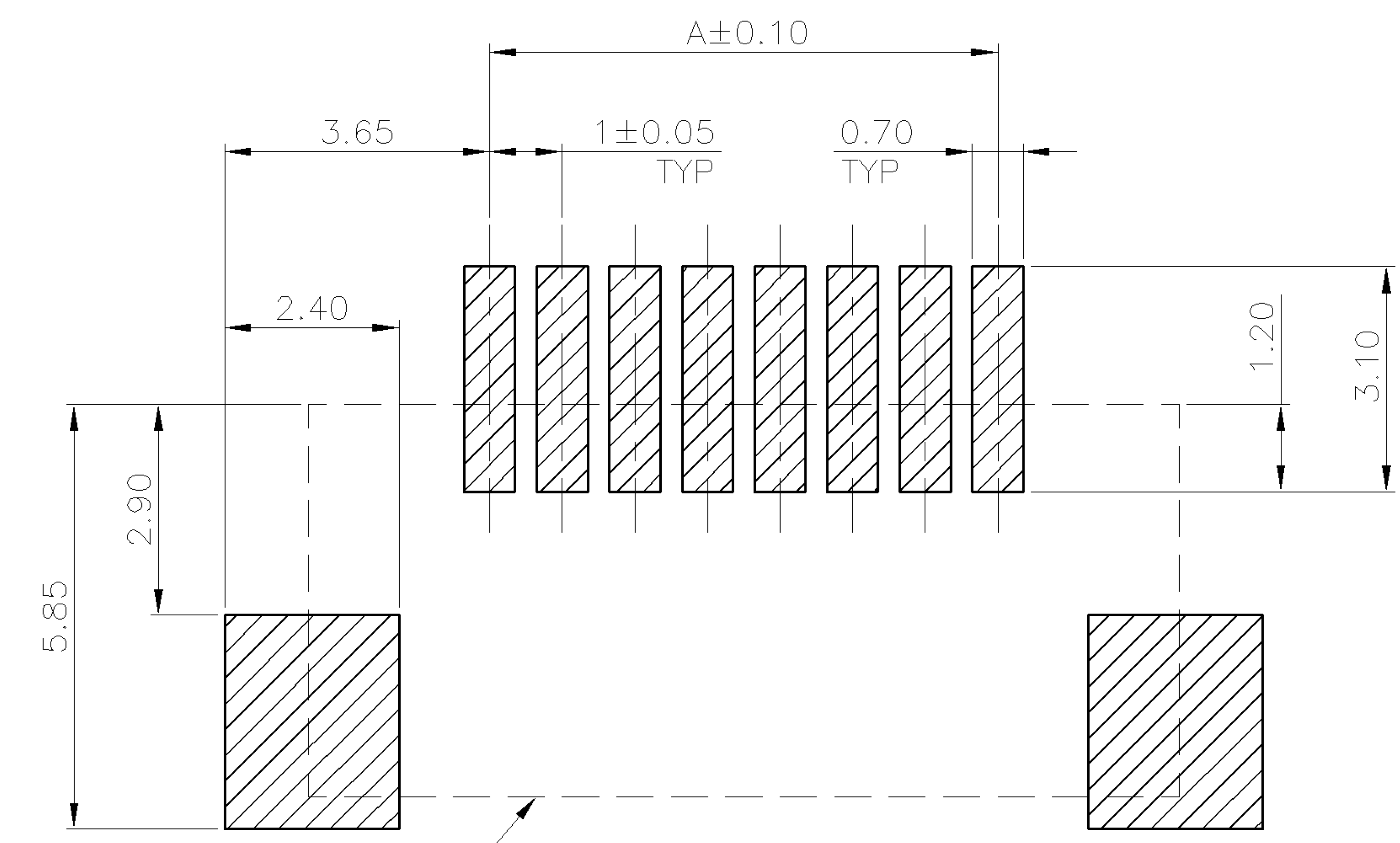
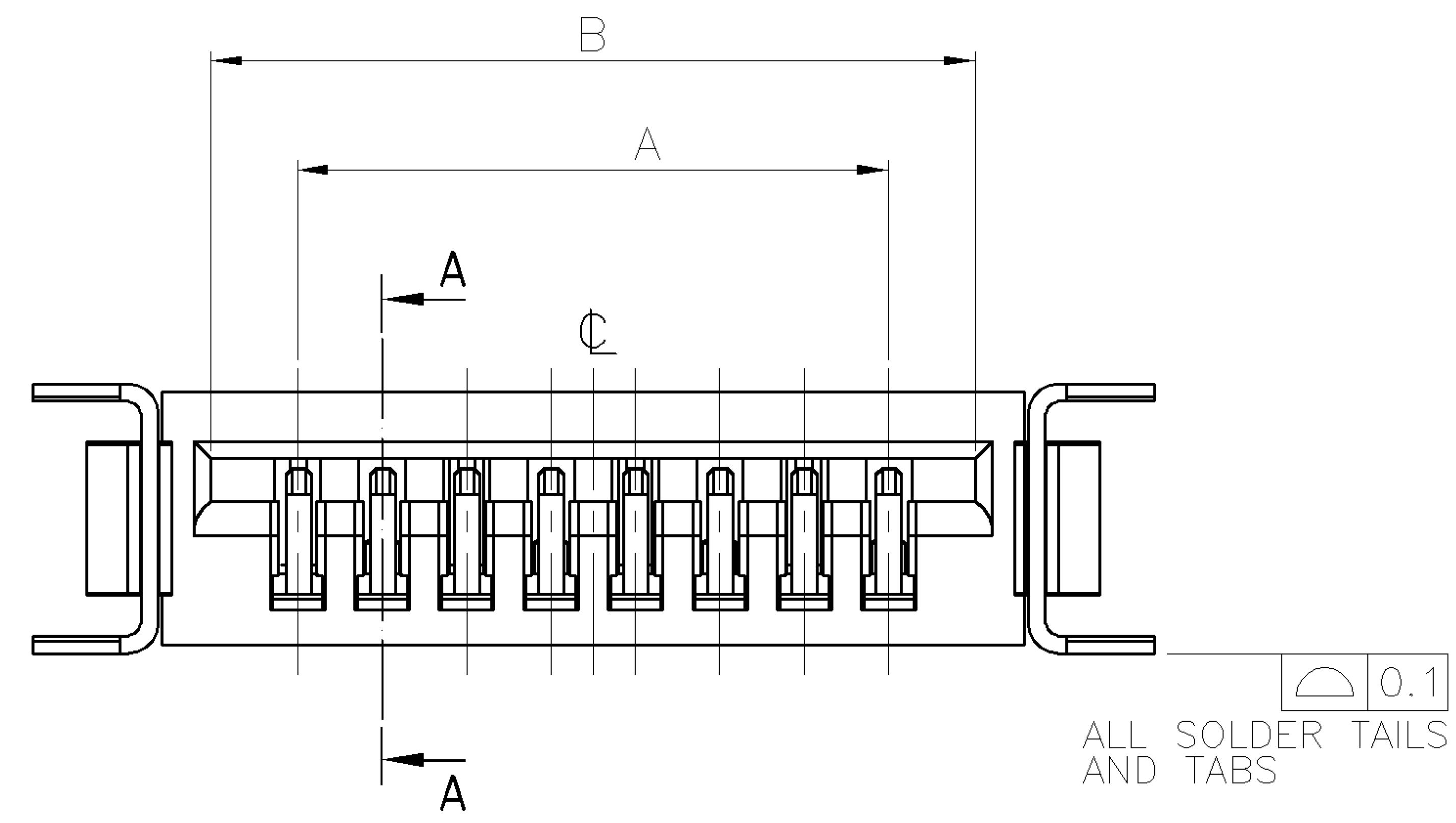
PRINT DIST  
DW



RECOMMENDED FPC LAYOUT  
(THICKNESS = 0.3 ± 0.05)



SECTION A-A



RECOMMENDED PCB LAYOUT

0.77g	34.00	31.05	29.00	30	3-1734798-0
0.76g	33.00	30.05	28.00	29	2-1734798-9
0.73g	32.00	29.05	27.00	28	2-1734798-8
0.70g	31.00	28.05	26.00	27	2-1734798-7
0.68g	30.00	27.05	25.00	26	2-1734798-6
0.65g	29.00	26.05	24.00	25	2-1734798-5
0.63g	28.00	25.05	23.00	24	2-1734798-4
0.60g	27.00	24.05	22.00	23	2-1734798-3
0.57g	26.00	23.05	21.00	22	2-1734798-2
0.55g	25.00	22.05	20.00	21	2-1734798-1
0.52g	24.00	21.05	19.00	20	2-1734798-0
0.49g	23.00	20.05	18.00	19	1-1734798-9
0.47g	22.00	19.05	17.00	18	1-1734798-8
0.44g	21.00	18.05	16.00	17	1-1734798-7
0.42g	20.00	17.05	15.00	16	1-1734798-6
0.39g	19.00	16.05	14.00	15	1-1734798-5
0.36g	18.00	15.05	13.00	14	1-1734798-4
0.34g	17.00	14.05	12.00	13	1-1734798-3
0.31g	16.00	13.05	11.00	12	1-1734798-2
0.29g	15.00	12.05	10.00	11	1-1734798-1
0.26g	14.00	11.05	9.00	10	1-1734798-0
0.23g	13.00	10.05	8.00	9	1734798-9
0.21g	12.00	9.05	7.00	8	1734798-8
0.18g	11.00	8.05	6.00	7	1734798-7
0.16g	10.00	7.05	5.00	6	1734798-6
0.13g	9.00	6.05	4.00	5	1734798-5
0.10g	8.00	5.05	3.00	4	1734798-4
WEIGHT	C	B	A	NO. OF CONTACTS	PART NUMBER

- NOTE:
- MATERIAL:  
HOUSING: THERMOPLASTIC WITH 33% GF, UL 94V-0, BLACK COLOR.  
CONTACTS: PHOSPHOR BRONZE.  
TABS: BRASS.
  - FINISH:  
CONTACTS: 120μ" MIN. MATTE-TIN OVER 50μ" MIN. NICKEL ON ENTIRE CONTACT.  
TABS: 120μ" MIN. MATTE-TIN OVER 50μ" MIN. NICKEL.
  - REFLOW SOLDER CAPABLE TO 260°C AS PER TE Connectivity SPEC. 109-201, CONDITION B.
  - NO TYCO LOGO AND DATE CODE ON THE PRODUCT.

TOLERANCES UNLESS OTHERWISE SPECIFIED: 0 PLC ±- 1 PLC ±0.15 2 PLC ±0.1 3 PLC ±- ANGLES ±-	DWN A. WU 17-NOV-2005	TE Connectivity NAME <b>FPC CONNECTOR, 1.0 PITCH, NON-ZIF, SMT, SIDE ENTRY, BOTTOM CONTACT</b>
MATERIAL SEE NOTE	CHK S. HOU 17-NOV-2005	
FINISH SEE NOTE	APVD T. KE 17-NOV-2005	LOC DW A <sub>3</sub>
	PRODUCT SPEC 108-57354	DRAWING NO C-1734798
	APPLICATION SPEC -	REV A1
	WEIGHT SEE TABLE	SHEET 1 OF 2

A1	REVISED PER ECO-11-005301	RK HMR 5APR11
LTR	REVISION RECORD	DWN CHK DATE

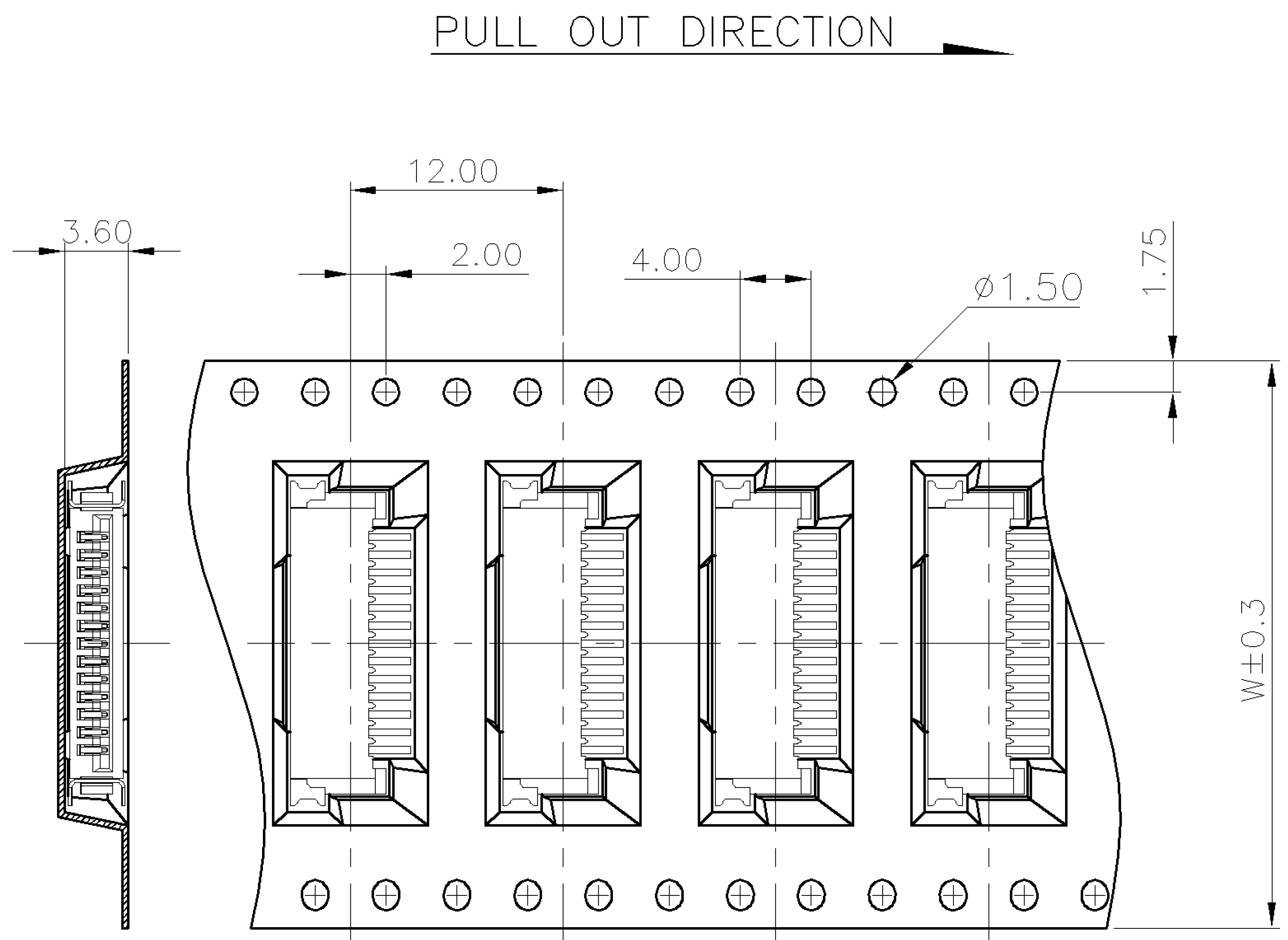
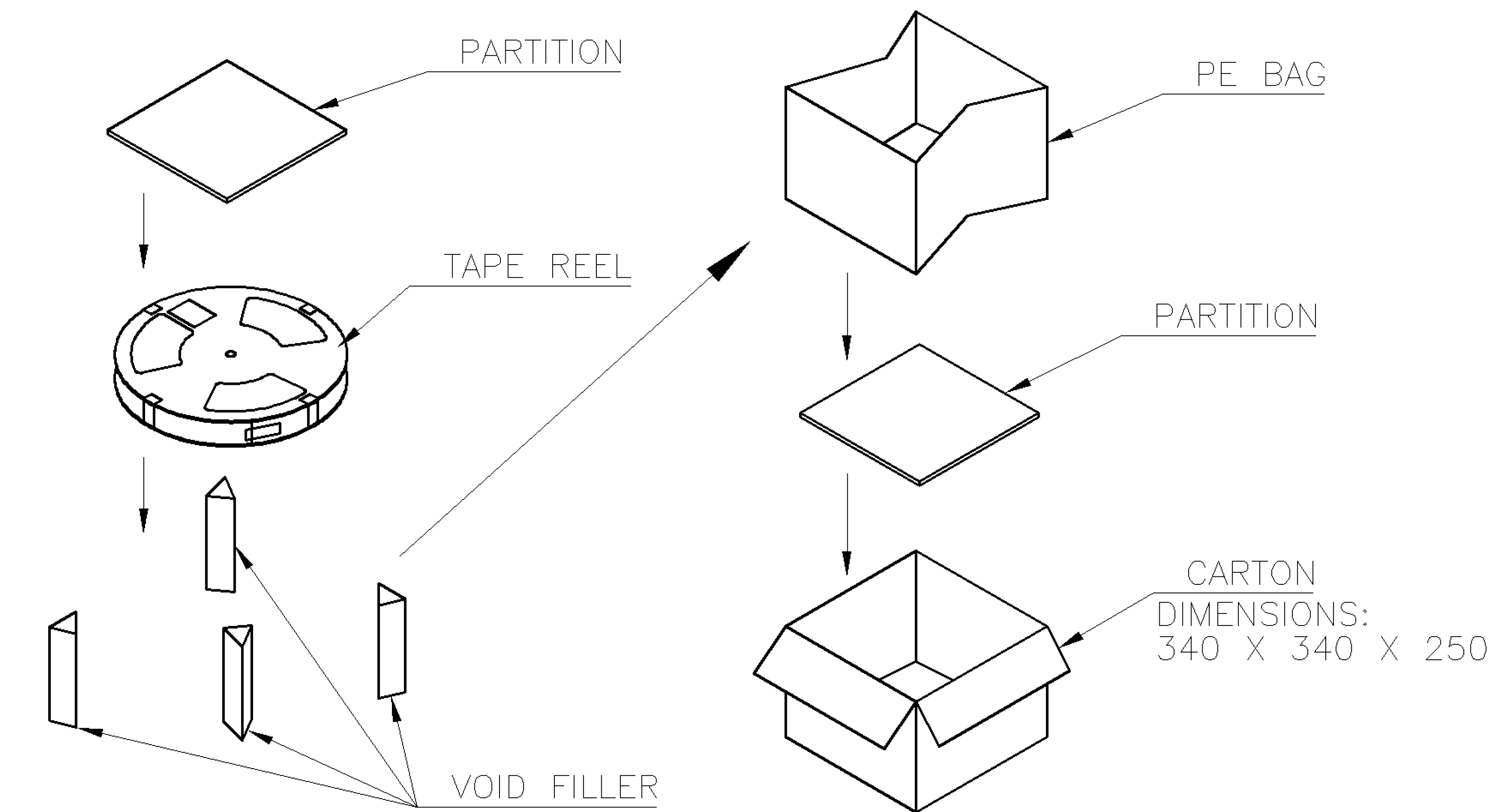
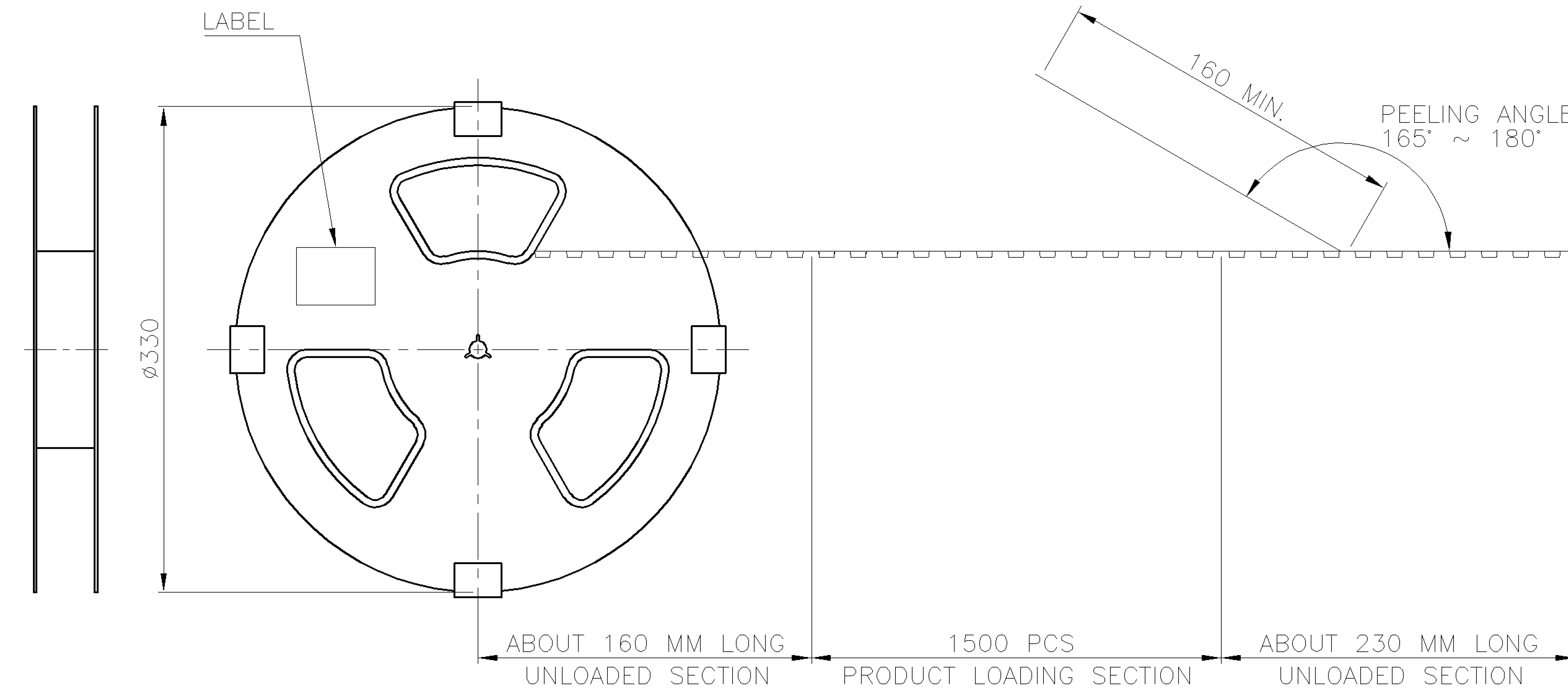
NUMBER  
C-1734798

3RD ANGLE PROJECTION

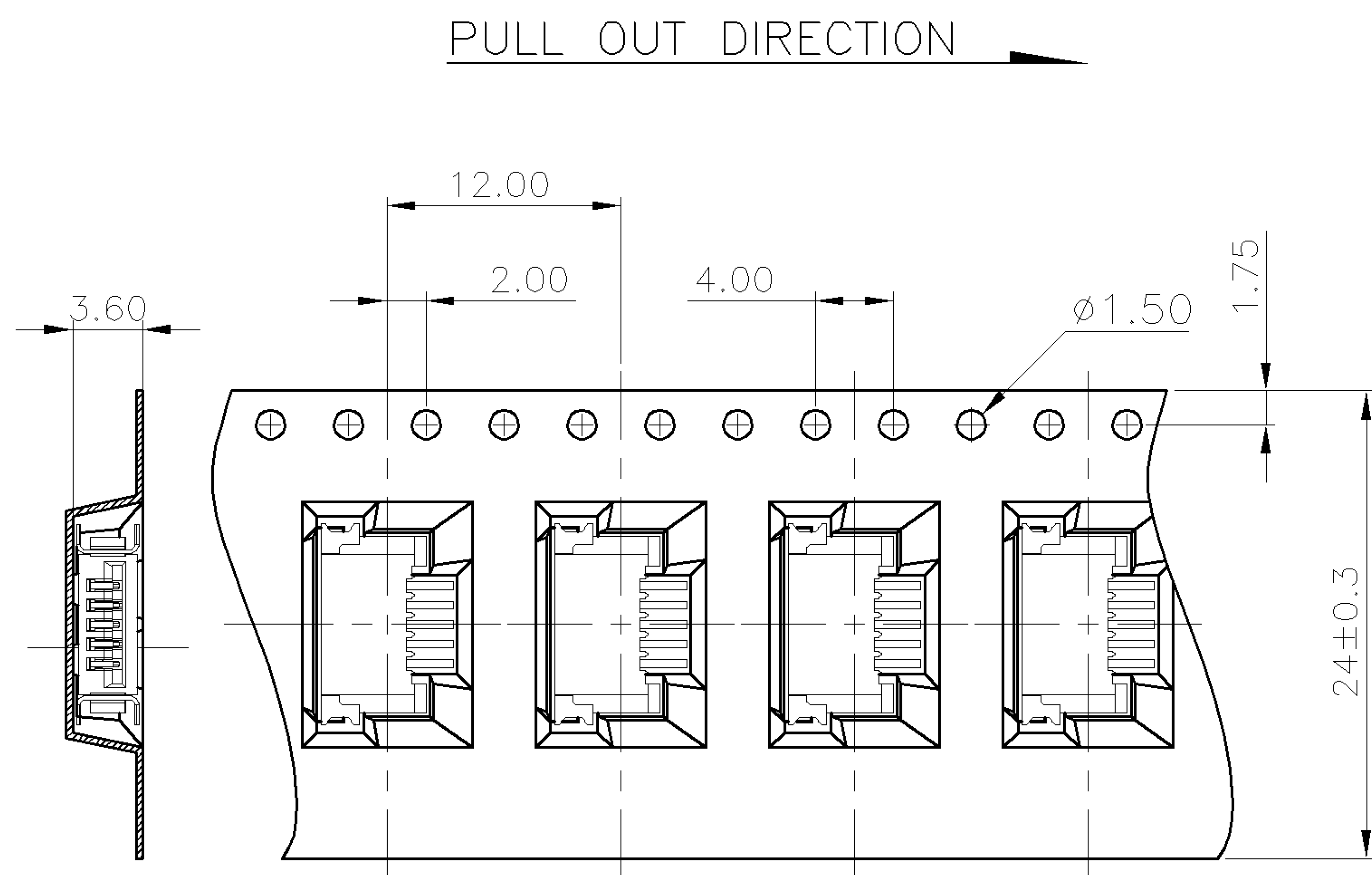
METRIC

DIMENSIONS IN MILLIMETERS. DO NOT SCALE PRINT.

PRINT  
DW



PRODUCT LOADING FOR 12 ~ 30 CONTACTS



PRODUCT LOADING FOR 4 ~ 11 CONTACTS

DIM	W	REELS/CARTON	QUANTITY (PCS)	G/W (KG)	N/W (KG)	NO. OF CONTACTS
56	3	4500	5.55	3.47	30	
			5.46	3.42	29	
			5.33	4.38	28	
44	4	6000	6.38	4.20	27	
			6.26	4.08	26	
			6.14	3.90	25	
			5.96	3.78	24	
			5.84	3.60	23	
			5.72	3.42	22	
			5.54	3.30	21	
			5.42	3.12	20	
			5.30	2.94	19	
			5.18	2.82	18	
32	6	9000	5.00	2.64	17	
			4.88	2.52	16	
			6.65	3.51	15	
			6.47	3.24	14	
			6.20	3.06	13	
24	7	10500	6.02	2.79	12	
			6.52	3.05	11	
			6.31	2.73	10	
			5.99	2.41	9	
			5.78	2.21	8	
			5.57	1.89	7	
			5.36	1.68	6	
5.17	1.37	5				
4.84	1.05	4				

TOLERANCES UNLESS OTHERWISE SPECIFIED: 0 PLC ±- 1 PLC ±- 2 PLC ±- 3 PLC ±- ANGLES ±-		DWN A. WU 17-NOV-2005	TE Connectivity <b>FPC CONNECTOR, 1.0 PITCH, NON-ZIF, SMT, SIDE ENTRY, BOTTOM CONTACT</b>			
MATERIAL -		CHK S. HOU 17-NOV-2005				
FINISH -		APVD T. KE 17-NOV-2005	LOC DW	SIZE <b>A<sub>3</sub></b>	DRAWING NO C-1734798	REV A1
LTR		REVISION RECORD	SCALE	SHEET 2 OF 2		

SEE SHEET 1.	DWN	CHK	DATE
ECO			