

PART NUMBER	REV	FIRST USED
567954-1	A	854040-3

TERMINAL NAME: RECEPTACLE Ø.055 PIN		CRIMP DATA (AMP TERMINAL)	
VISIBLE LTR	CRIMP HEIGHT	WIRE SIZE	
A	.046 ±.002 [1.17 ±0.05mm]	20	
B	.043 ±.002 [1.09 ±0.05mm]	(1) 22or (2) 24	
C	.040 ±.002 [1.02 ±0.05mm]	24	
D	NOT	USED	
CRIMP	SIZE	TYPE	RANGE
WIRE	.062 [1.57mm]	F	24-20, 2#24
INSUL	.080 [2.03mm]	F	.048-.071

QTY	REF	TERM	APPL SPEC	FEED	APPL INSTRUCTION	SET UP GAGE	LAYOUT
2	-	C	4-354779-7		PIN, WIRE DISC (.3225)D		129
2	-	C	4-354779-1		PIN, WIRE DISC (.3195)C		128
2	-	C	5-354779-4		PIN, WIRE DISC (.3260)A		126
1	-	A	986950-1		WASHER, FLAT PRECISION		125
1	-	A	217238-3		GENERAL INSTRUCTION PACKAGE		124
1	-	A	4-21028-0		PIN, SLT SPR (Ø.093x.75) ST GDE PL		121
1	-	B	690701-2		PLATE, SERIAL NO.		120
2	-	A	21899-2		WASHER, FLAT (#10) S G ADJ BLK		119
2	-	A	21024-5		WASHER, LOCK (#10) ADJ BLOCK		118
2	-	A	21024-2		WASHER, LOCK (#4) FRONT STP GUIDE		114
REF	-	A	21024-4		WASHER, LOCK (#8) FEED FINGER		113
2	-	A	21024-4		WASHER, LOCK (#8) DEP-HOLD		112
REF	-	A	21024-4		WASHER, LOCK (#8) STRIPPER		111
1	-	A	21018-5		NUT, HEX (#6) HOLD DOWN		108
1	-	A	21009-2		SCR, SKT SET (1/4-20x.25 LW) RAM		103
4	-	A	21017-2		SCR, DRIVE (#2x.19) ID PLATE		101
1	-	B	819347-1		PLATE, IDENTIFICATION		100
2	-	A	3-21002-0		SCR, BHC (10-32x.88) DRAG		99
1	-	A	22733-8		SCR, BHC (8-32x.38 LW) ANVIL		98
1	-	A	3-21000-8		SCR, SHC (10-32x.88) MOUNTING		96
1	-	A	2-21002-7		SCR, BHC (10-32x.50) S G ADJ BLK		95
4	-	A	2-21002-2		SCR, BHC (8-32x.50) SHEAR-TERM SUP		94
1	-	A	1-21002-7		SCR, SHC (6-32x.50) CAM		91
4	-	A	2-21000-7		SCR, SHC (8-32x.50) SCR BLK		90
REF	-	A	2-22603-0		SCR, HEX HD (8-32x.31) FEED FINGER		86
2	-	A	1-21000-3		SCR, SHC (4-40x.25) F ST GUIDE		85
REF	-	A	22733-9		SCR, BHC (8-32x.50 SL) STRIPPER		84
1	-	A	3-22603-1		SCR, HEX (10-32x.38) S G ADJ BL		81
2	-	B	463310-6		BLADE, STRIPPING (#22)		77
1	-	A	690603-1		SPRING, ASSIST		74
1	-	A	23030-1		SCR, SKT CAP (6-32x.25) CP DSC		73

QTY RECD PER ASSY	U/M	DWG SIZE	PART NO	DESCRIPTION	ITEM NO

PARTS LIST		REVISION RECORD	
A2	ECN 0150-0538-01	TE	5-01
A1	0150-9352-99	PM	5-99
A	REVISED	CE	1/99
P/F	LTR	APP	DATE

SIM TO HDM 466388-1		PARTS LIST			
			70		
			69		
			68		
			67		
			66		
			65		
			64		
			63		
			62		
			61		
			60		
			59		
			58		
			57		
REF	-	B	694433-8	PAWL, FEED	56
					55
					54
					53
					52
1	-	A	811242-2	BUMPER, HOLDDOWN	51
1	-	A	690753-1	SPACER, TONKER	50
					49
1	-	A	690602-6	CAM, PRE-FEED 1.62 STROKE	48
					47
					46
1	-	A	690191-1	PLUG, NYLON	45
1	-	C	455673-1	RAM	44
1	-	A	690125-1	WASHER, LAMINATED	43
1	-	A	690124-1	WASHER, RAM	42
1	-	A	7-21002-9	BOLT, CRIMPER (5/16x1.00)	41
1	-	A	23241-6	BALL, STEEL	40
1	-	A	690170-1	SPRING, COMPRESSION	39
1	-	C	690142-1	DISC, INSULATION	38
1	-	D	354777-1	WIRE DISC, PLASTIC	37
1	-	A	22480-5	WASHER, SPRING	36
1	-	B	690212-1	POST, RAM	35
1	-	B	690786-3	SUPPORT, TERMINAL	34
1	-	C	462544-1	PLATE, BASE SPECIAL	33
1	-	A	690432-3	SCREW, ADJUSTMENT	32
1	-	B	462543-1	BLOCK, SCREW SPECIAL	31
1	-	B	455689-1	BLOCK, STRIP GUIDE ADJ	30
1	-	C	455671-1	PLATE, STRIP GUIDE	29
1	-	C	1-455888-0	SPACER, FRONT SHEAR DEP	28
2	-	A	1-22284-0	SPRING, DRAG	27
1	-	B	690546-1	LEVER, DRAG RELEASE	26
1	-	B	240792-1	DRAG, TERMINAL	25
1	-	D	690440-9	GUIDE, STRIP (REAR)	24
1	-	A	690438-1	GUIDE, STRIP (FRONT)	23
					22
1	-	A	463756-1	GUIDE, SCRAP	21
1	-	A	904275-1	SUPPORT, SPRING	20
REF	-	C	462615-1	STRIPPER	19
1	-	B	904225-1	JAW ASSY	18
					17
					16
2	-	A	1-21989-4	SCR, SHLD	15
1	-	B	904274-1	DEPRESSOR	14
2	-	A	6-22281-3	SPRING, DEPRESSOR	13
1	-	A	6-22279-4	SPRING, SHEAR	12
1	-	B	1-690461-6	STOP, SHEAR (FRONT)	11
1	-	B	462548-3	HOLDER, SHEAR (FRONT) SP	10
1	-	B	462547-3	SHEAR, FLOAT (FRONT) SP	9
1	-	C	690471-7	ANVIL	8
					7
					6
1	-	A	904273-1	DEPRESSOR, SHEAR (FRONT) SP	5
1	-	B	2-238011-2	SPACER, BLOCK CRIMPER	4
1	-	C	5-456134-4	CRIMPER, INSULATION	3
1	-	C	455888-4	SPACER, CRIMPER	2
1	-	C	1-456403-6	CRIMPER, WIRE	1

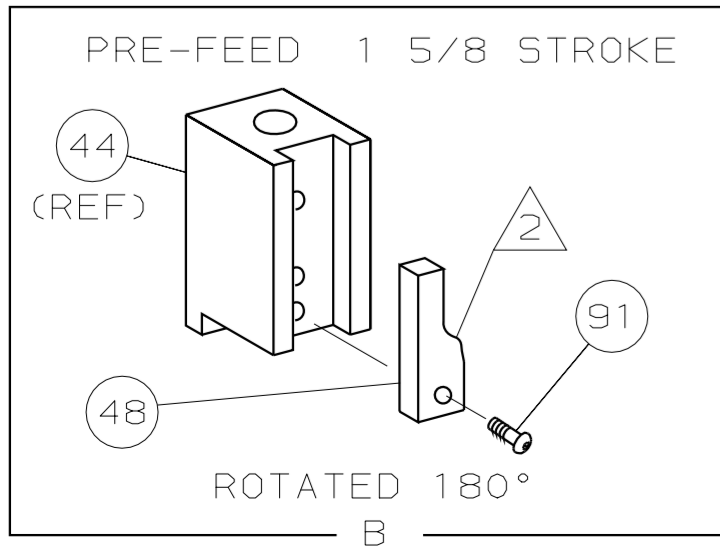
QTY RECD PER ASSY	U/M	DWG SIZE	PART NO	DESCRIPTION	ITEM NO

CUSTOMER AND ASSEMBLY DRAWING

THIS DRAWING IS A CONTROLLED DOCUMENT.

THIS DRAWING IS UNPUBLISHED. RELEASE FOR PUBLICATION BY AMP INCORPORATED. ALL RIGHTS RESERVED. AMP 1756 REV 3-92

LOC A  
DIST 66



- 1 RECOMMENDED SPARE PARTS.
- 2 GREASE LIGHTLY.
- 3 ITEM NOT SHOWN
- 4 ATTACH ITEM 20 TO ITEM 33 USING ADHESIVE PART NUMBER 28998-6.

5. ON THE STRIPPER CRIMPER MACHINE, POSITION THE FRONT METAL GUARD ON THE FRONT SIDE OF THE LEXAN DOOR