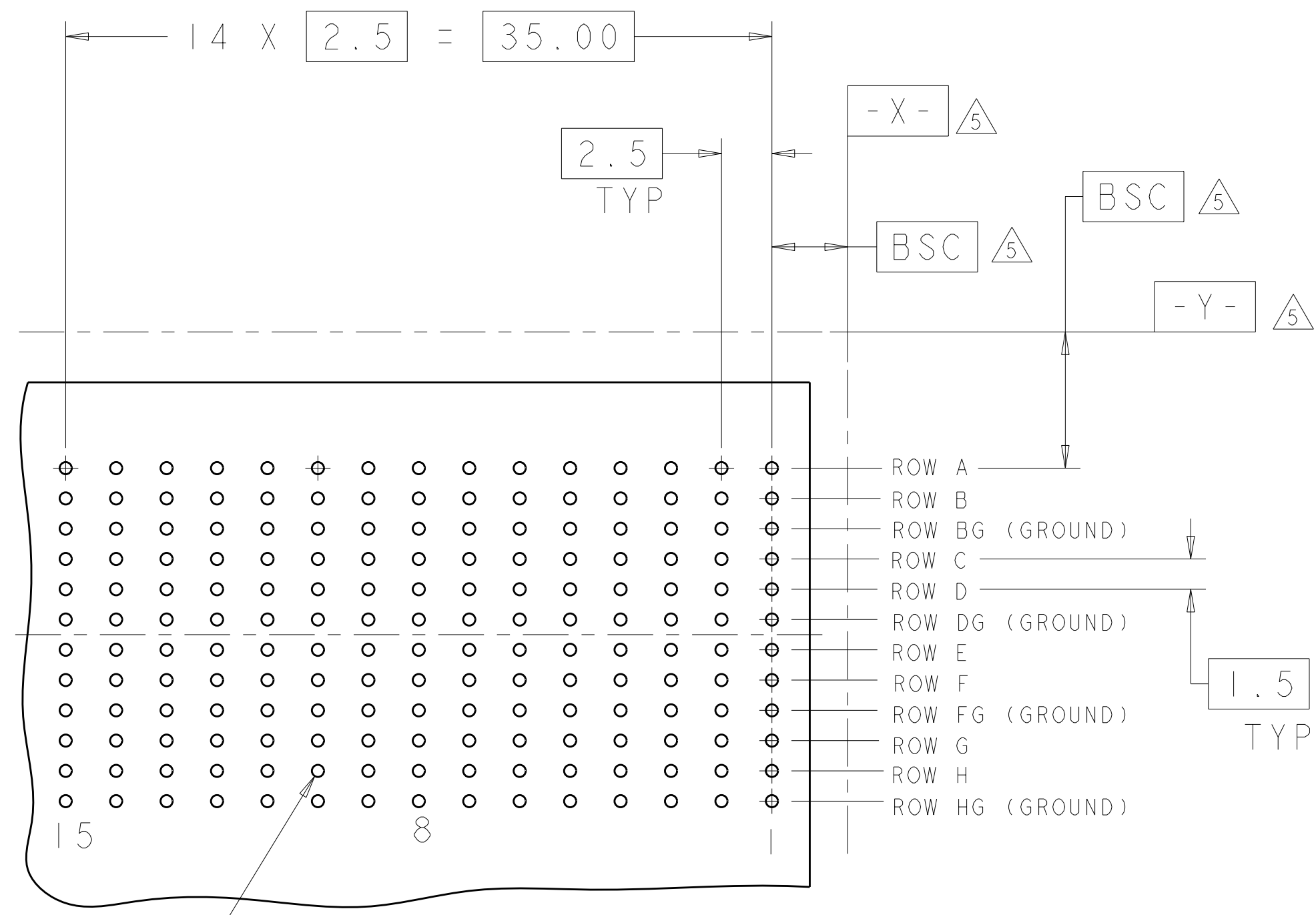
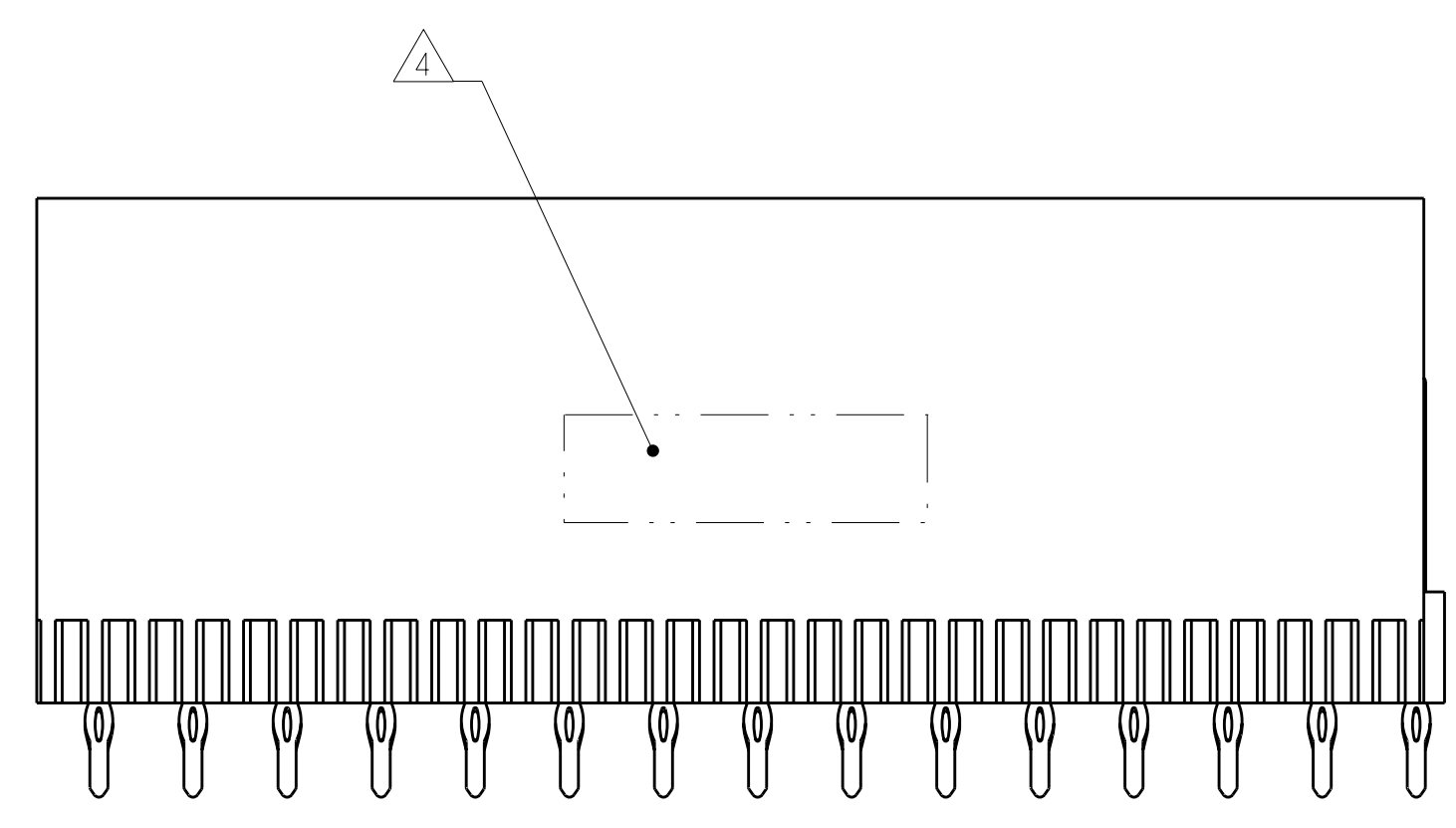
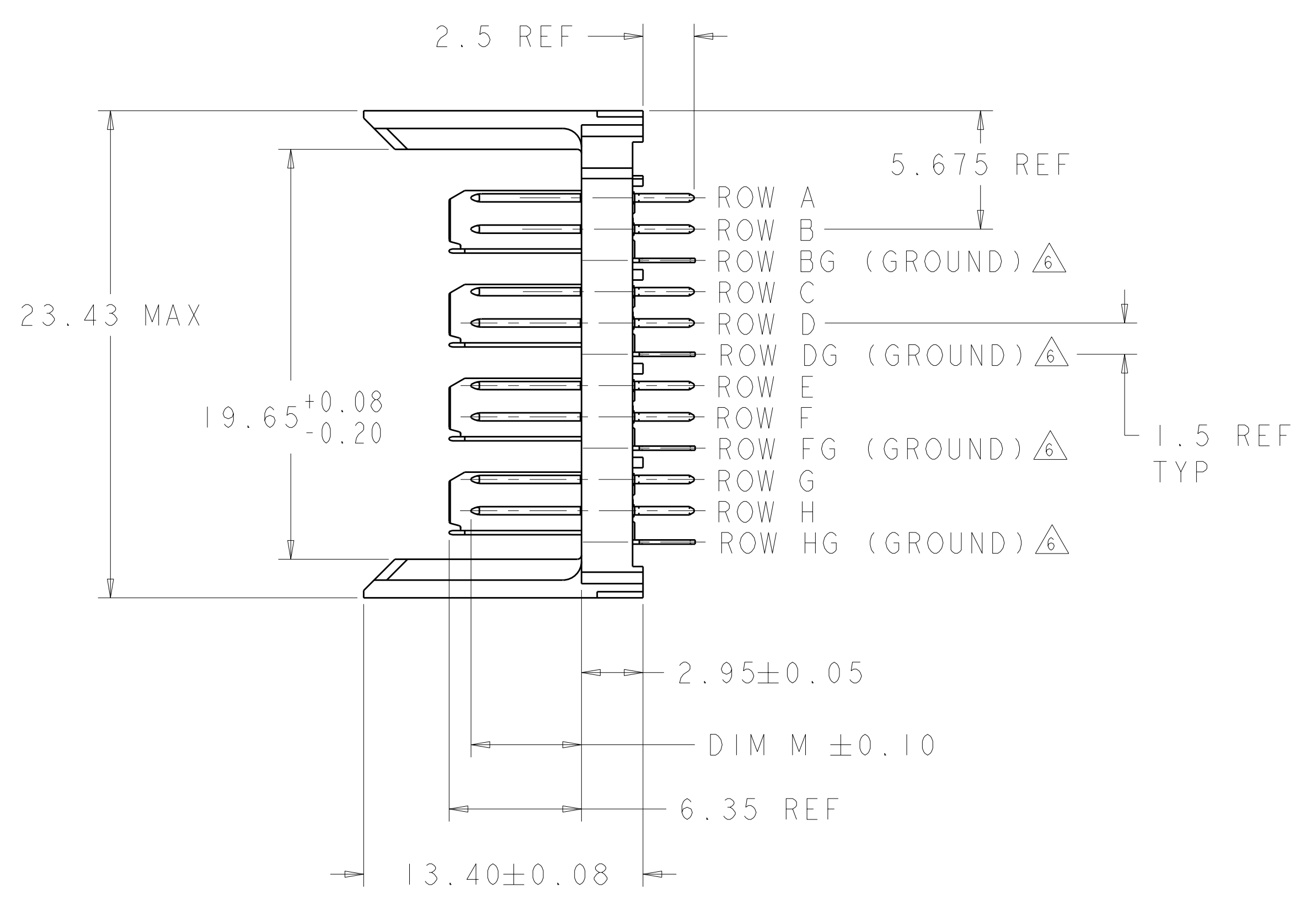
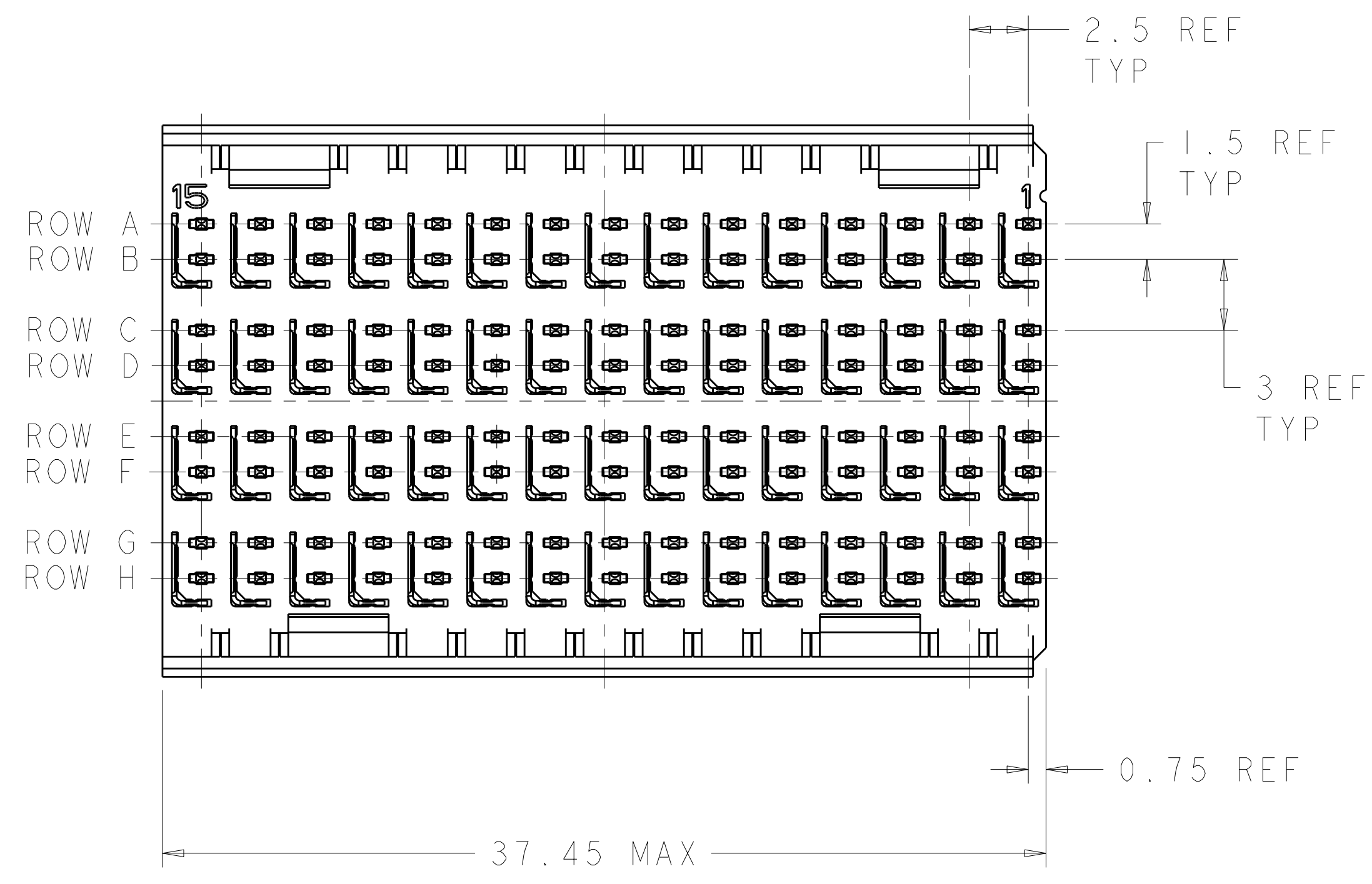


LOC		DIST		REVISIONS			
AD	00	P	LTR	DESCRIPTION	DATE	DWN	APVD
		B		REVISED PER ECO-12-000118	18JAN2012	KH	DD



$\text{⌀} \text{ } \text{⌀} 0.05 \text{ } \text{Ⓢ} \text{ } \text{X} \text{ } \text{Y}$   
 ALL PLATED THRU HOLES  
 RECOMMENDED PC BOARD LAYOUT, BACKPLANE, COMPONENT SIDE SHOWN SCALE 4:1

- 1 REFERENCE APPLICATION SPEC 114-13059 FOR RECOMMENDED PLATED THRU HOLE DIAMETER AND PLATING THICKNESSES.
- 2 MATERIAL:  
CONTACT AND SHIELD - PHOSPHOR BRONZE  
HOUSING - GLASS FILLED POLYESTER. UL 94V-0.
- 3 FINISH: SIGNAL AND GROUND CONTACTS:  
MATING AREA: MEETS THE PERFORMANCE REQUIREMENTS OF PRODUCT SPECIFICATION 108-2055; BASED ON TELCORDIA GR-1217-CORE, APPLICATIONS IN UNCONTROLLED ENVIRONMENTS  
COMPLIANT PIN AREA: 0.5 μm MIN MATTE TIN OVER BASE PLATING
- 4 CONNECTOR MARKED WITH PART NUMBER AND DATE CODE.
- 5 DATUMS AND BASIC DIMENSIONS ESTABLISHED BY CUSTOMER.
- 6 THE FOUR GROUNDS IN EACH COLUMN ARE COMMONED.
- 7. CONTACT AREA LUBRICATED WITH BELLCORE APPROVED LUBRICANT. TECHNICAL REFERENCE: GR-1217-CORE, ISSUE 1, NOVEMBER 1995.

3.80	6469296-2
5.30	6469296-1
DIM M	PART NUMBER

THIS DRAWING IS A CONTROLLED DOCUMENT.		DWN S. J. MAGARO 31 JUL 2004	TE Connectivity
DIMENSIONS: mm		CHK R. A. PATTERSON 31 JUL 2004	
TOLERANCES UNLESS OTHERWISE SPECIFIED:		APVD R. PATTERSON 20 AUG 2007	NAME HEADER ASSEMBLY, 4 PAIR, 2.5mm TAIL, 37.5mm HMzd
9 PLC ± 3 PLC ± 5 PLC ± 4 PLC ± ANGLES ±	FINISH ±	PRODUCT SPEC APPLICATION SPEC WEIGHT CUSTOMER DRAWING	SIZE CAGE CODE DRAWING NO. A100779C=6469296 RESTRICTED TO
SCALE 5:1		SHEET 1 OF 1	REV B