

Linearer Hub  
Straight action principle

Entriegelbare Zwangssperre  
Ratchet release

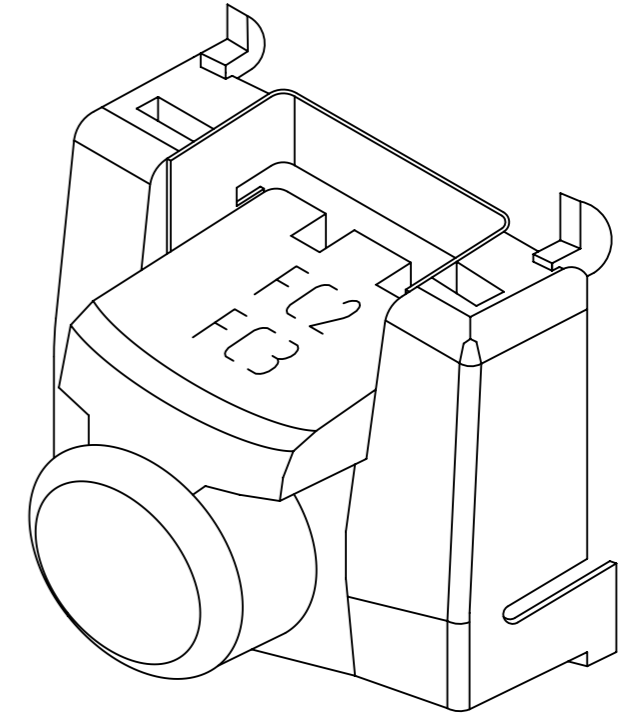
Kontaktpositionierung mit Positionierer  
Contact positioning with locator

Präzise geschliffene Profile  
Precisely ground profiles

Gewicht ca. 350 g  
Weight approx. 350 g

Positionierer FC2-3 im Set enthalten.  
Ersatzteil-Nr. 09 99 000 0642

Locator FC2-3 scope of delivery.  
Spare part no. 09 99 000 0642



Anwendungsbereich: FC3 Kontakte

Application range: FC3 contacts

Leiterquerschnitt: Profil 1: 0,50-1,30 mm<sup>2</sup> (AWG 16-20)

wire gauge : Profil 2: 1,00-1,50 mm<sup>2</sup> (AWG 16)

für Crimpkontakte:  
for crimp contacts:

09 06 000 8482	Feder / female	2	0,5-1,5	20-16	1,6-2,8
09 06 000 8472	Feder / female	1	0,5-1,5	20-16	1,6-2,8
Kontakt Nr. contact no.	Messer / Feder male / female	AFS PL	Leiterquerschnitt wire gauge	AWG AWG	Isolationsø Insulationø

	All Dimensions in mm Original Size DIN A3		Scale 1:1	Free size tol.		Ref. Sub.	
	All rights reserved		Created by WAERMKER	Inspected by HAERTLING	Standardisation KOHLER	Date 2012-10-08	State Final Release
Department EC PD - DE		Title CRIMP-TOOL FC 3				Doc-Key / ECH-Nr. 100073564/UGD/001/B	
HARTING Electronics GmbH D-32339 Espelkamp		Type TB	Number 09990000077			Rev. B	Page 1/1