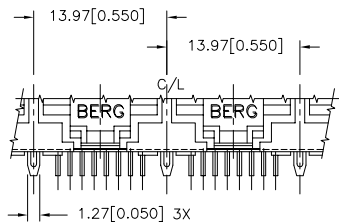
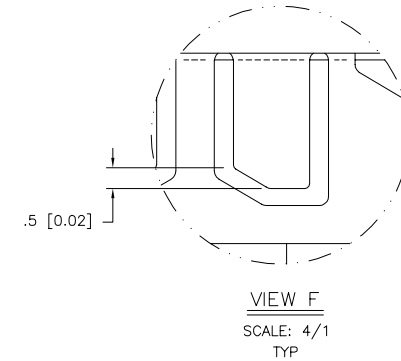
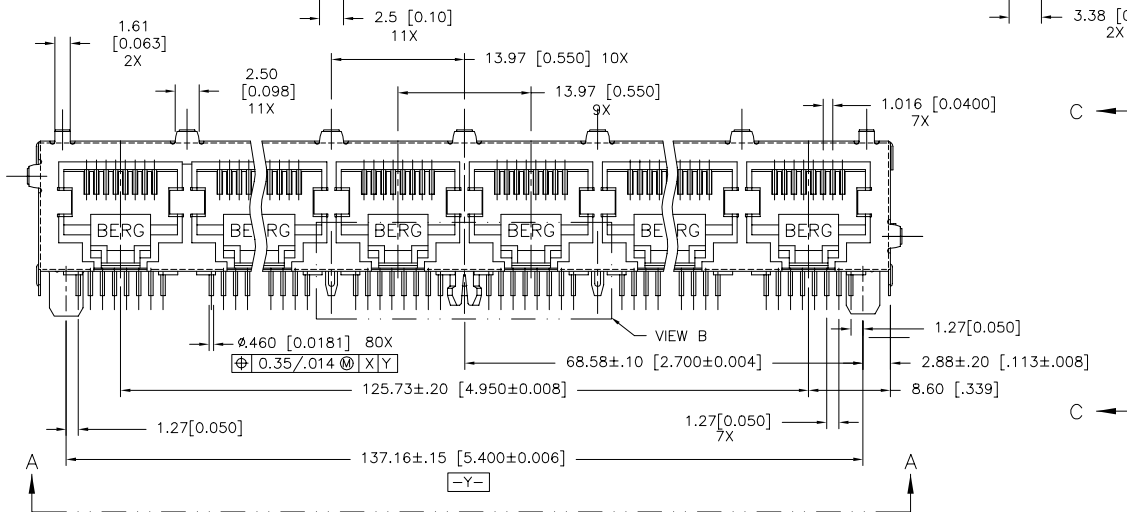
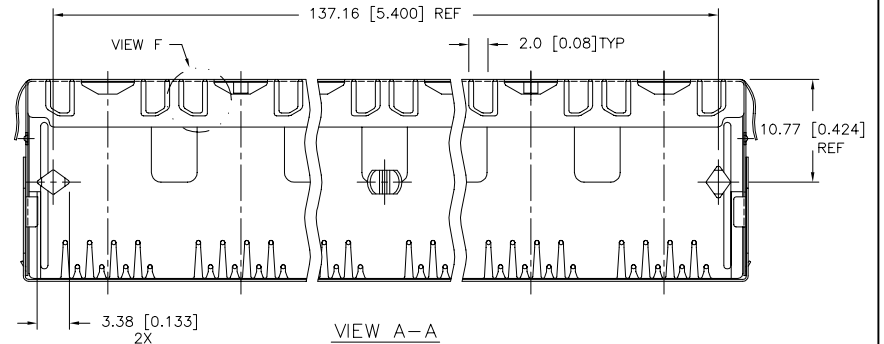
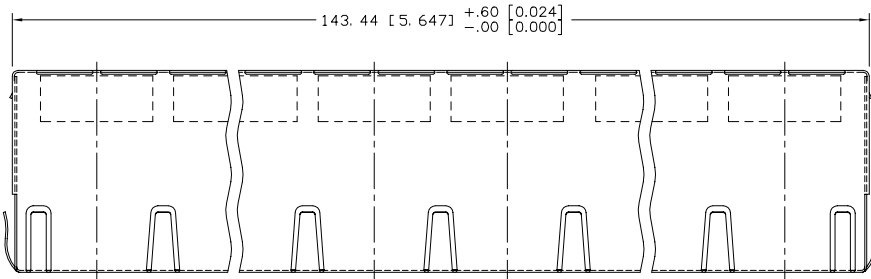


PRODUCT NO.
SEE TABLE



VIEW B
(CENTER PEG OMITTED FOR CLARITY)

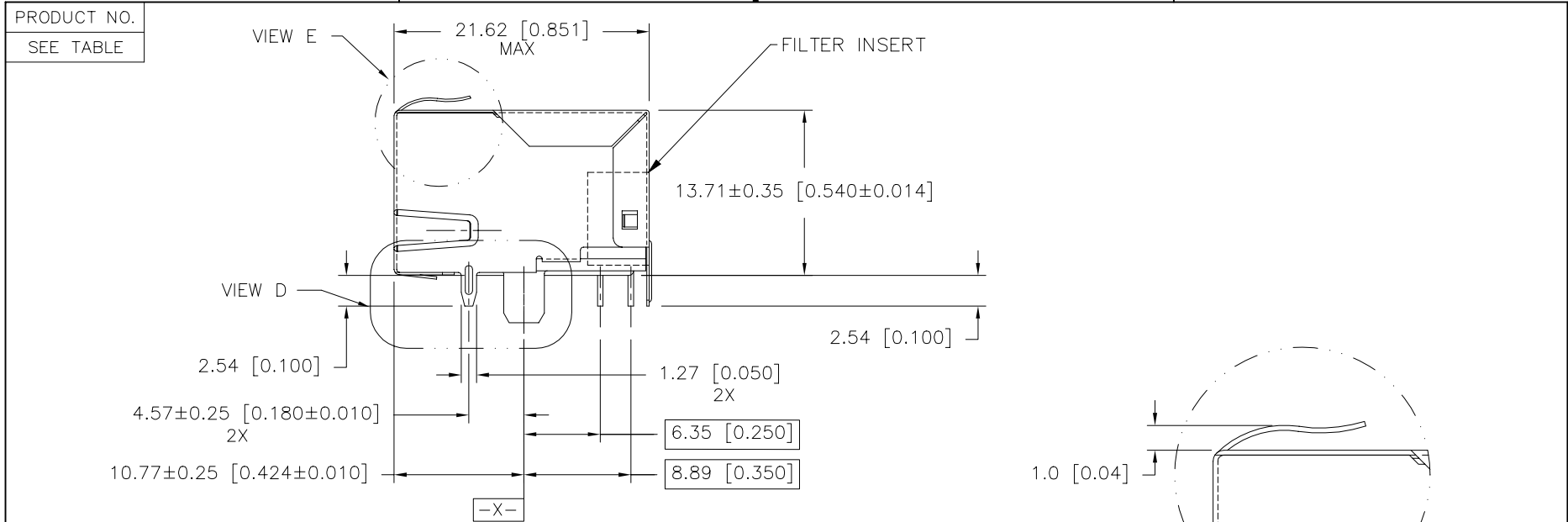
Tous droits strictement reserves. Reproduction ou communication a des tiers interdite sous quelque forme que ce soit sans autorisation ecrite du proprietaire. Propriete de c FCI. Droits de reproduction FCI.

All rights strictly reserved. Reproduction or issue to third parties in any form whatever is not permitted without written authority from the proprietor. Property of FCI. Copyright FCI.

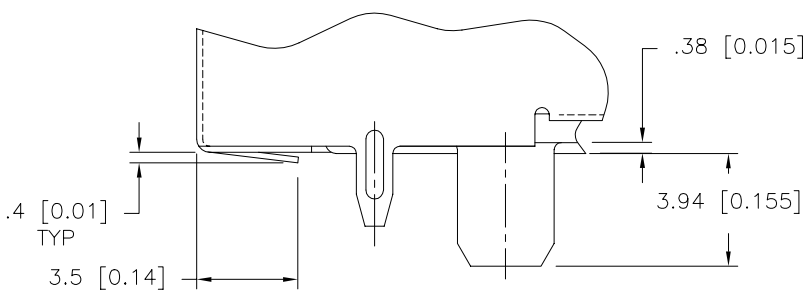
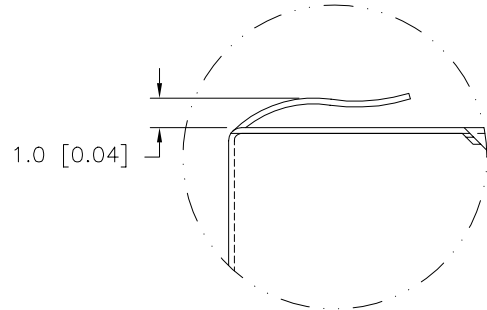
mat'l. code SEE NOTES				tolerances unless otherwise specified			CUSTOMER COPY		 www.fciconnect.com		
ltr	ecn no	dr	date	linear	.X ±.3		projection 	title RJ45 R/A 10 PORT GANG JACK FILTER ASSY 8 POS SHIELDED DIAMOND PEG			
A	V03-0446	LP	4/17/03		.XX ±.10			MM/INCH 	product family MOD JACK		code 213
B	M05-0066	MHT	4/7/05		.XXX ±.050				size dwg no		sheet 1 of 4
				angles	0° ±2'		scale 1:1				
				dr	L.POTTEIGER	4/17/03					
				enr	J.KONTOS	4/17/03					
				chr	J.KONTOS	4/17/03					
				appd	J.KONTOS	4/17/03					
sheet index	revision sheet	B 1	A 2	B 3	A 4						

Tous droits strictement reserves. Reproduction ou communication a des tiers interdite sous quelque forme que ce soit sans autorisation ecrite du proprietaire. Propriete de c FCI. Droits de reproduction FCI.

All rights strictly reserved. Reproduction or issue to third parties in any form whatever is not permitted without written authority from the proprietor. Property of FCI. Copyright FCI.



VIEW C-C



VIEW D
SCALE: 2/1

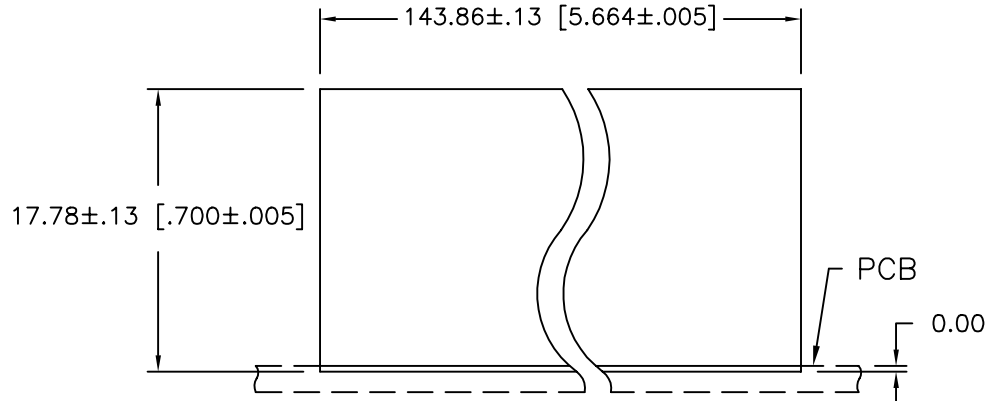
mat'l. code SEE NOTES				tolerances unless otherwise specified		CUSTOMER COPY		 www.fciconnect.com		
ltr	ecn no	dr	date	linear	.X ±.3	projection		title		
A					.XX ±.10			RJ45 R/A 10 PORT GANG JACK FILTER ASSY		code
				angles	.XXX ±.050		MM/INCH	product family MOD JACK		
				dr	0° ±2'			size		code
				enr	L.POTTEIGER 4/17/03	scale	1:1	A 10027589		
				chr	J.KONTOS 4/17/03			sheet		213
				appd	J.KONTOS 4/17/03			2 of		
sheet index	revision sheet									

cage code 22526

Printed: Aug 01, 2010

PRODUCT NO.
10027589-X103LF


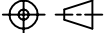
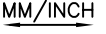
PLATING CODE X	PLATING ⑨
0	.76uM/30u" G.X.T.
1	.38uM/15u" GOLD
3	.76uM/30u" GOLD
5	1.27uM/50u" GOLD



RECOMMENDED PANEL OPENING

NOTES:

1. RECOMMENDED P.C.B. THICKNESS 1.60 [0.063].
2. HOUSING MATERIAL: HIGH TEMPERATURE THERMOPLASTIC, 94-V-0.
3. CONTACTS: PHOS BRONZE ALLOY, ϕ 0.460 [0.0181] ROUND WIRE, PLATING SEE TABLE.
4. SHIELD MAT'L: TIN PLATED BRASS ALLOY.
5. ALL DIMENSIONS IN MILLIMETERS/INCHES.
- ⑥ PART NUMBERS WITH LF IN THE END ARE LEAD FREE.
- ⑦ THIS PRODUCT MEETS EUROPEAN UNION DIRECTIVES AN OTHER COUNTRY REGULATION AS DESCRIBED IN GS-22-008.
8. THE HOUSING TEMPERATURE WITHSTAND EXPOSURE TO 260°C PEAK TEMPERATURE FOR 15 SECONDS IN A WAVE SOLDER APPLICATION WITH A 1.5 MM MINIMUM THICK CIRCUIT BOARD. SEE APPLICATION NOTES/PROCEDURES IF THEY ARE AVAILABLE.
- ⑨ PLATING OPTION:
MAY BE EITHER GOLD OR GXT PLATED AT MANUFACTURER'S OPTION.

mat'l. code SEE NOTES				tolerances unless otherwise specified			CUSTOMER COPY		 www.fciconnect.com		
ltr	ecn no	dr	date	linear	.X ±.3	projection 	title		RJ45 R/A 10 PORT GANG JACK FILTER ASSY 8 POS SHIELDED DIAMOND PEG		
B					.XX ±.10		MM/INCH 	product family		MOD JACK	
					.XXX ±.050			size		dwg no	
				angles	0° ±2°	scale 1:1	A		10027589		
				dr	L.POTTEIGER 4/17/03						sheet
				enr	J.KONTOS 4/17/03						213
				chr	J.KONTOS 4/17/03						3 of
				appd	J.KONTOS 4/17/03						
sheet index	revision sheet										

Tous droits strictement reserves. Reproduction ou communication a des tiers interdite sous quelque forme que ce soit sans autorisation ecrite du proprietaire. Propriete de c FCI. Droits de reproduction FCI.



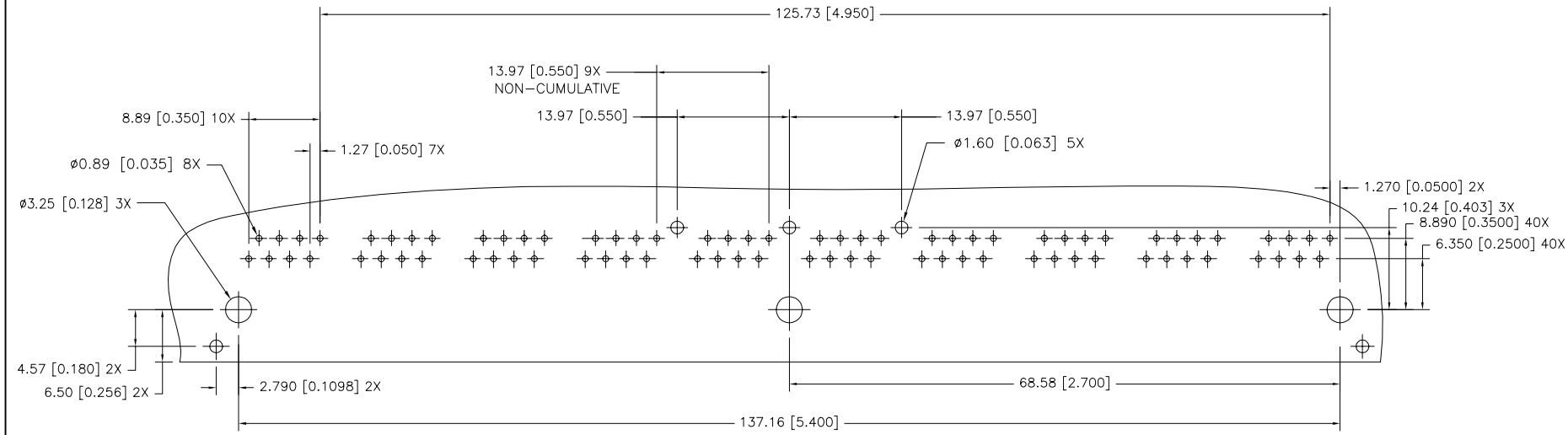
All rights strictly reserved. Reproduction or issue to third parties in any form whatever is not permitted without written authority from the proprietor. Property of FCI. Copyright FCI.

Tous droits strictement reserves. Reproduction ou communication a des tiers interdite sous quelque forme que ce soit sans autorisation ecrite du proprietaire. Propriete de c FCI. Droits de reproduction FCI.

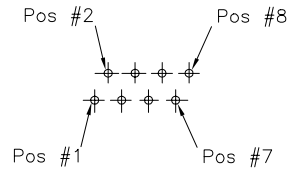
All rights strictly reserved. Reproduction or issue to third parties in any form whatever is not permitted without written authority from the proprietor. Property of FCI. Copyright FCI.



PRODUCT NO.
SEE TABLE



RECOMMENDED P.C.B LAYOUT
AS VIEWED FROM TOP SIDE(COMPONENT SIDE)



TYPICAL FOR ALL FOOTPRINTS
AS VIEWED FROM TOP SIDE(COMPONENT SIDE)

mat'l. code SEE NOTES				tolerances unless otherwise specified			CUSTOMER COPY		 www.fciconnect.com	
ltr	ecn no	dr	date	linear	.X ±.3		projection	 title RJ45 R/A 10 PORT GANG JACK FILTER ASSY 8 POS SHIELDED DIAMOND PEG		
A					.XXX ±.050					
				angles	0° ±2°		 MM/INCH	product family		code
				dr	L.POTTEIGER	4/17/03		MOD JACK		213
				enr	J.KONTOS	4/17/03	scale	size		sheet
				chr	J.KONTOS	4/17/03		dwg no		4 of
				appd	J.KONTOS	4/17/03	1:1	A 10027589		
sheet index	revision sheet									