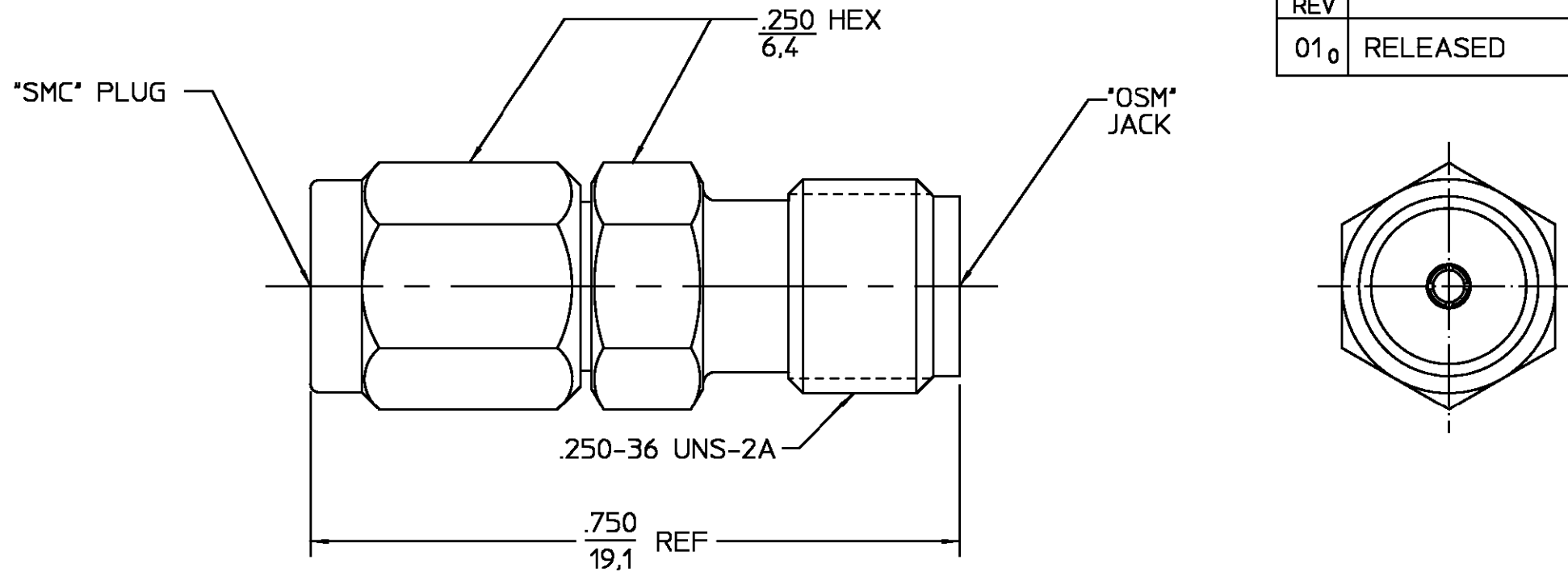


REVISIONS			
REV	DESCRIPTION	DATE	APPROVED
01 ₀	RELEASED	4/14/99	



NOTES:

1. CAPTURED CENTER CONTACT

ELECTRICAL	MECHANICAL	ENVIRONMENTAL
Nominal Impedance (Ohms) <u>50</u>	Interface Dimensions	Temperature Rating <u>-65°C to +125°C</u>
Frequency Range (GHz) DC to <u>4.0</u>	<u>SMB MIL-STD-348A 311-1</u>	Vibration MIL-STD-202, Method
Volt Rating (VRMS MAX)	<u>OSM MIL-STD-348A 310-2</u>	204, Condition B
@ Sea Level <u>335</u>	Recommended Mating Torque	Shock MIL-STD-202, Method 213,
VSWR <u>1.25+0.04f(GHz)</u>	<u>SMC 30-50 In-Ozs</u>	Condition B
Insertion Loss (dB MAX) <u>.03 @ 1.5GHz</u>	Mating Characteristics:	Thermal Shock MIL-STD-202,
RF Leakage (dB MIN) <u>-55 @ 2 to 3 GHz</u>	<u>SMB</u> <u>OSM</u>	Method 107, Condition B,
Corona, 70,000 Ft (VRMS MIN) <u>250</u>	Insertion <u>2.5</u> <u>3.0</u>	Except High Temp +85°C
Dielectric Withstanding Voltage	Withdrawal <u>1.0</u> <u>2.0</u>	Moisture Resistance MIL-STD-202,
(VRMS MIN) @ Sea Level <u>1,000</u>	Force to Engage/Disengage (Lbs)	Method 106 Shall Be Omitted
Contact Resistance (Milliohms MAX)	<u>SMB</u> <u>14.0</u>	Corrosion - MIL-STD-202, Method
Center Contact <u>6.0</u>	<u>OSM</u> <u>2.0</u>	101, Condition B, 5% salt spray
Outer Contact <u>1.0</u>	Contact Retention	
RF High Potential @ Sea Level	Axial (Lbs) <u>6.0</u>	
(VRMS MIN @ 5 MHz) <u>700</u>	Radial (In-Oz) <u>4.0</u>	
I.R.(Megohms MIN) <u>1,000</u>	Weight (Grams) <u>TBD</u>	

HOUSING COUPLING NUT	STAINLESS STEEL PER ASTM-A484 AND ASTM-A582, TYPE 303	PASSIVATE PER QQ-P-35
DIELECTRIC	PTFE FLUOROCARBON PER ASTM-D-1457	N/A
CENTER CONTACT	BERYLLIUM COPPER PER ASTM-B-196 OR ASTM-B-197, ALLOY C17300, CONDITION H	GOLD PLATE PER MIL-G-45204
RETAINING RING	BERYLLIUM COPPER PER ASTM-B-194, ALLOY C17200, CONDITION H	N/A
COMPONENT	MATERIAL	FINISH
UNLESS OTHERWISE SPECIFIED DIMENSIONS ARE IN INCHES		
FRAC. ± 1/32	DEC. ± .005	ANGLES ± 2°
DRAWN BY RUDY	DATE 1/21/98	AMP Incorporated 140 Fourth Avenue Waltham, MA 02451-7599
CHECKED BY	APPD BY	
USE ASSY PROCEDURE		TITLE "SMC" PLUG TO "OSM" JACK ADAPTER
NO. A.P. N/A	SIZE B	CODE IDENT NO. 5082-2240-00
	SCALE 6:1	REV 01 ₀
		SHEET 1 OF 1