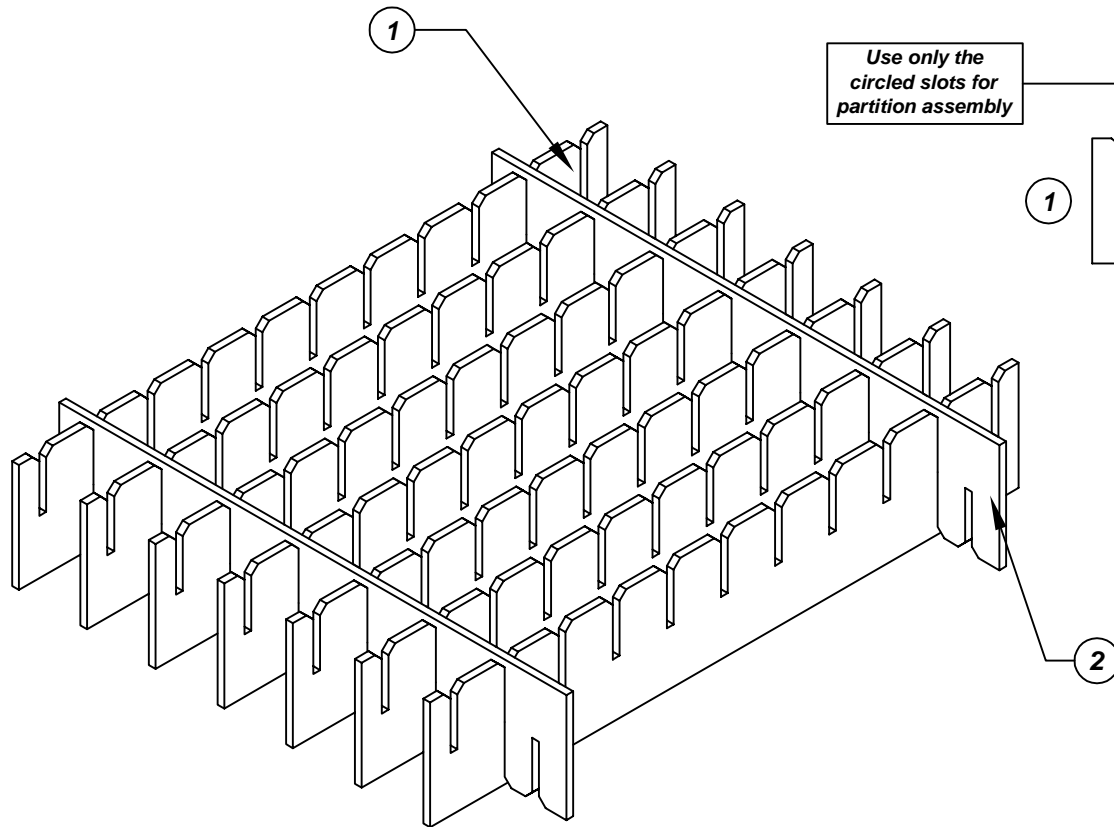
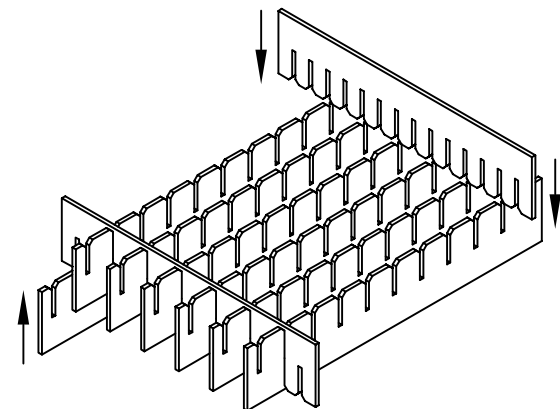
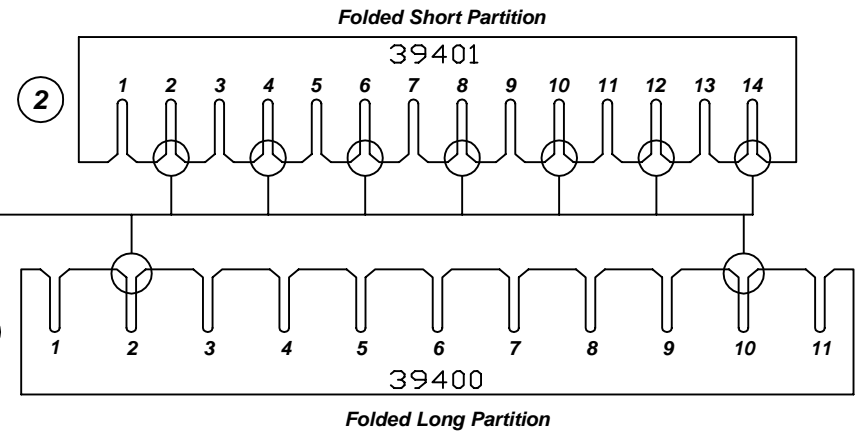


Assembly Instructions for - 38722



Use only the circled slots for partition assembly



Made in America

| | | | | |
|----------|------------------------|---|---|------------------|
| F/N ① | Part # 39400 | Dimensions: 8-3/16" x 21-3/4" | Description: Adjustable Long Partition | Qty: 7 |
| F/N ② | Part # 39401 | Dimensions: 8-3/16" x 18-3/4" | Description: Adjustable Short Partition | Qty: 2 |

38722 - 7 Cell Inplant Handler Cell Size - 4" x 15-3/4" x 2-1/4"

Notes:
For use with the following storage container & lid:
37530 - Storage Container
37557 - Lid

PROTEKTIVE PAK
13520 MONTE VISTA AVENUE, CHINO, CA 91710
PHONE (909) 627-2578, FAX (909) 363-7331
ProtektivePak.com



DRAWING NUMBER
IPH-38722

DATE
August 2011