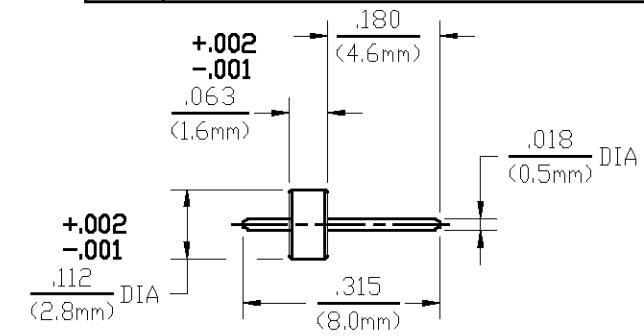
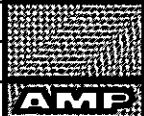


REVISIONS			
REV	DESCRIPTION	DATE	APPROVED
01 0	RELEASED	2/15/91	PCW
B	REVISED PER ECN 0U20-0262-01	G.V. 12/12/02	JGH



HOUSING	STAINLESS STEEL PER ASTM-A484 AND ASTM-A582, TYPE 303	PASSIVATE PER ASTM-A380
DIELECTRIC	TFE FLUOROCARBON PER ASTM-D-1457	N/A
CENTER CONTACT	BERYLLIUM COPPER PER ASTM B 196, ALLOY C17300, CONDITION H	GOLD PLATE PER MIL-G-45204 OVER COPPER PLATE PER MIL-C-14550
CONTACT EXT. BUSHING	IRON-NICKEL ALLOY PER MIL-I-23011 CLASS 1 (KOVAR)	GOLD PLATE PER MIL-G-45204
GASKET	CONDUCTIVE SILVER/SILICONE ELASTOMERS	N/A
O-RING	FLOUROSILICONE PER MIL-R-25988, CLASS I, TYPE I.	N/A
HERMETIC SEAL	GLASS BEAD	N/A

ELECTRICAL	MECHANICAL	ENVIRONMENTAL
Nominal Impedance (Ohms) 50	Interface Dimensions Per Catalog	TEMPERATURE RATING -65° TO +125°C
Frequency Range (GHz) DC to 22	Mating Characteristics	Vibration MIL-STD-202, Method 204, Condition D
Volt Rating (VRMS MAX) @ Sea Level 335	Insertion (MAX Lbs) 3	Shock MIL-STD-202, Method 213, Condition I
VSWR 1.06+.01f(GHz) DC to 18 GHz	Withdrawal (MIN Oz) 1	Thermal Shock MIL-STD-202, Method 107, Condition B
Insertion Loss (dB MAX) .04x V <sup>2</sup> (GHz)	Force to Engage (In/Lbs MAX) 3 & Disengage (In/Lbs MAX) 1.5	Moisture Resistance MIL-STD-202, Method 106
RF Leakage (dB MIN) (Interface Only, Fully Mated) -(90-f(GHz))	Center Contact Captivation	Corrosion - MIL-STD-202, Method 101, Condition B
Corona, 70,000 Ft (VRMS MIN) 250	Axial (Lbs) 6	
Dielectric Withstanding Voltage (VRMS MIN) @ Sea Level 1000	Weight (Grams) TBD	
Contact Resistance (Milliohms MAX)		
Center Contact 100		
Outer Contact 2.0		
RF High Potential @ Sea Level (VRMS MIN @ 5 MHz) 667		
I.R.(Megohms MIN) 5000		

COMPONENT	MATERIAL	FINISH
UNLESS OTHERWISE SPECIFIED DIMENSIONS ARE IN INCHES	DRAWN BY K.C.MAHER DATE 2/14/91	 AMP Incorporated 140 Fourth Avenue Waltham, MA 02451-7599
TOLERANCE ON	CHECKED BY CW DATE 2/15/91	
FRAC. DEC. ANGLES ± 1/84 ± .005 ± 1'	APPROVED BY PCW DATE 2/15/91	
USE ASS'Y PROCEDURE	TITLE DSP 2-HOLE FLANGE MOUNT PLUG RECEPTACLE WITH EMI-RFI GASKET	
N/A	SIZE B	REV 01 0
	CODE IDENT NO. 26805	
	4551-3357-02	
	SCALE 4:1	SHEET 1 OF 1

CUSTOMER DRAWING AMP PART # 1059572-1 SHEET 1 OF 1 REV B