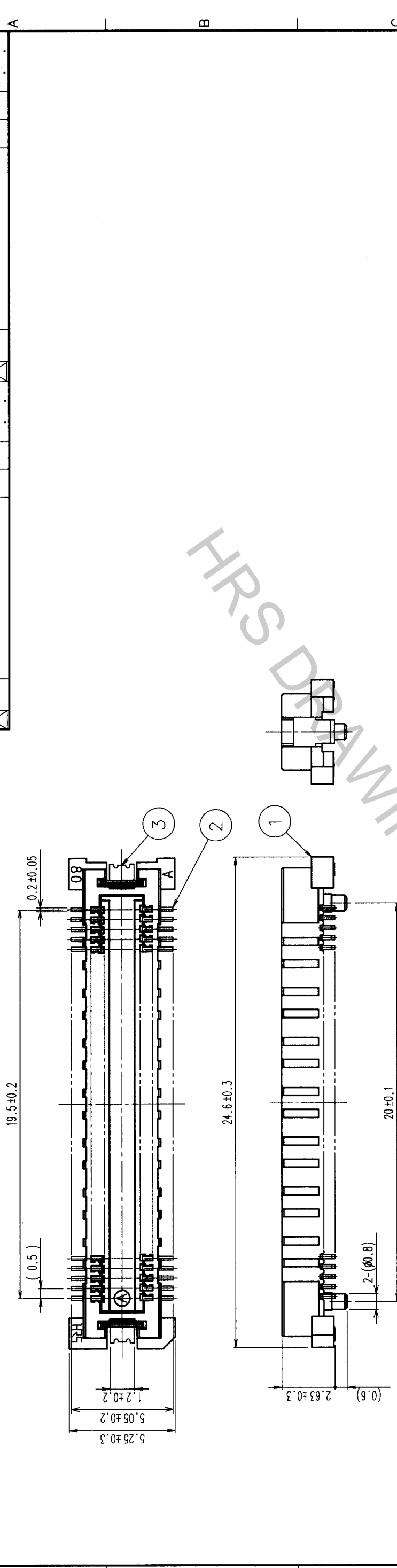
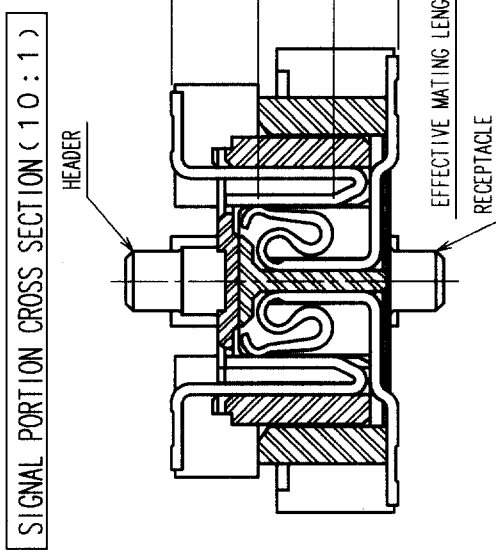
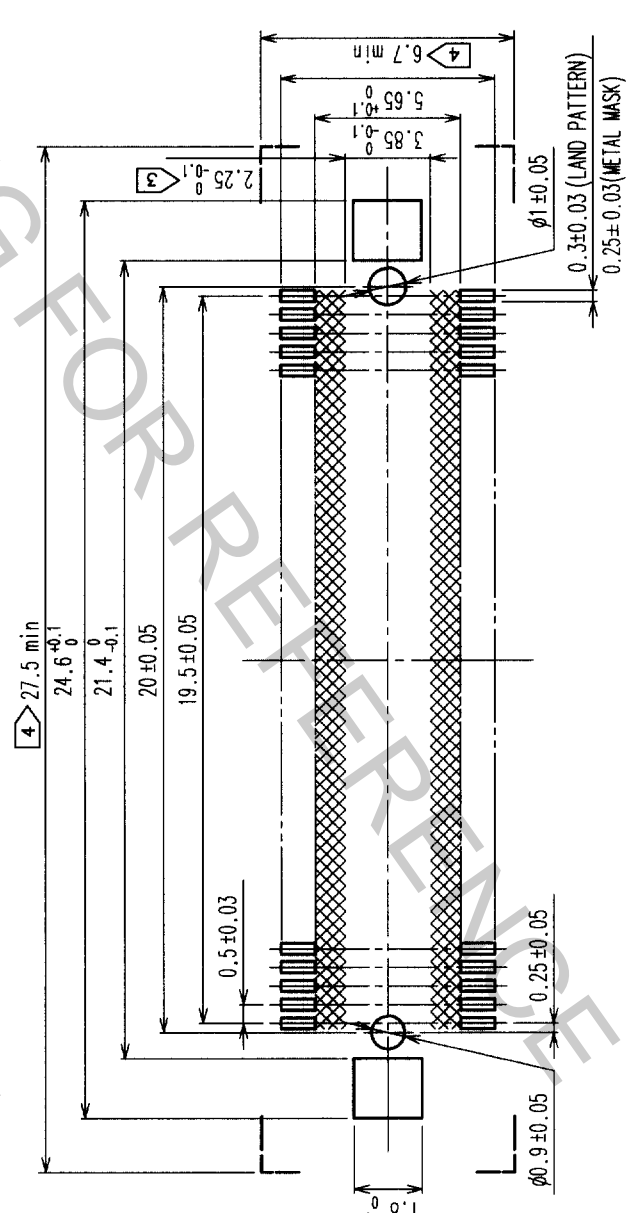


Apr.1.2017 Copyright ©2017 HIROSE ELECTRIC CO., LTD. All Rights Reserved.



RECOMMENDED LAND PATTERN DIMENSION OF PCB



2	COPPER ALLOY	CONTACT AREA: GOLD(0.1µm) OVER NICKEL LEAD: GOLD FLASH OVER NICKEL
1	LCP	BEIGE UL94V-0
NO.	MATERIAL	FINISH, REMARKS
3	PHOSPHOR BRONZE	TIN PLATED
CODE NO. (COLD) CL	DRAWN <i>N. Nakamura</i>	DESIGNED <i>H. Okawa</i>
		CHECKED <i>H. Okawa</i>
		APPROVED <i>H. Okawa</i>
		RELEASED
		DATE 02-08-07
		02-08-07
		02-08-07
		02-08-07
		02-08-07
		02-08-07
		02-08-07

NOTES

- 1 SMT LEAD-COPLANARITY: 0.1 MAX.
- 2 THIS PRODUCT HAS NO POLARITY TO PATTERN FOR MOUNTING.
- 3 MAKE SURE WIDTH OF PATTERN IS WITHIN THAT OF LAND, OR LEAD MAY TOUCH PATTERN. (THIS APPLIES TO HATCHED AREA.)
- 4 DO NOT MOUNT OTHER DEVICES ONTO [] AREA, OR MATING PAIR CANNOT BE MATED.
- 5 TO BE EMBOSSED CARRIER TAPED AS SPECIFIED IN SHEET 2.

TO	
PCK	

DRAWING NO. EDC3-152626-02

SCALE 5 : 1

UNITS mm

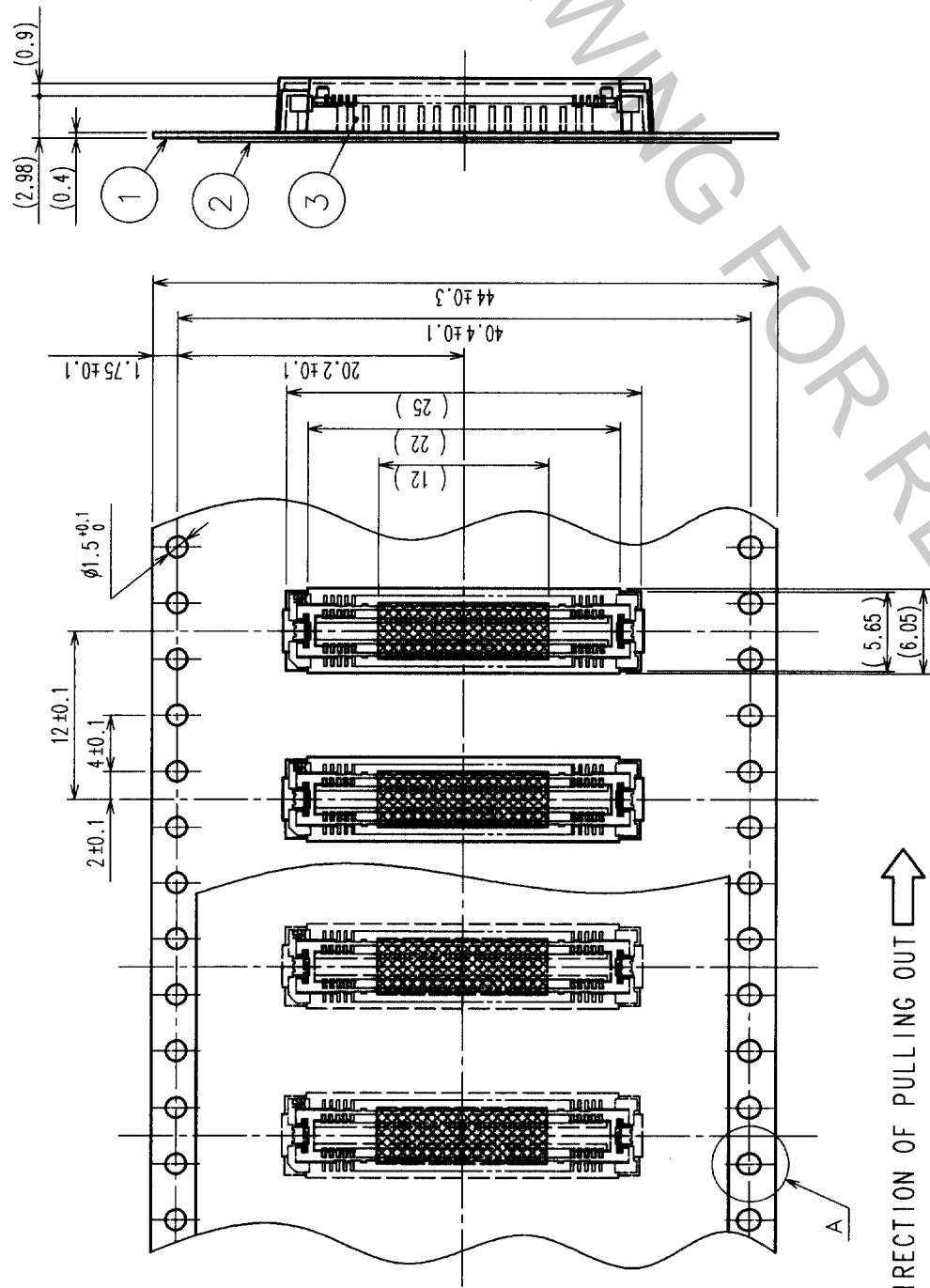
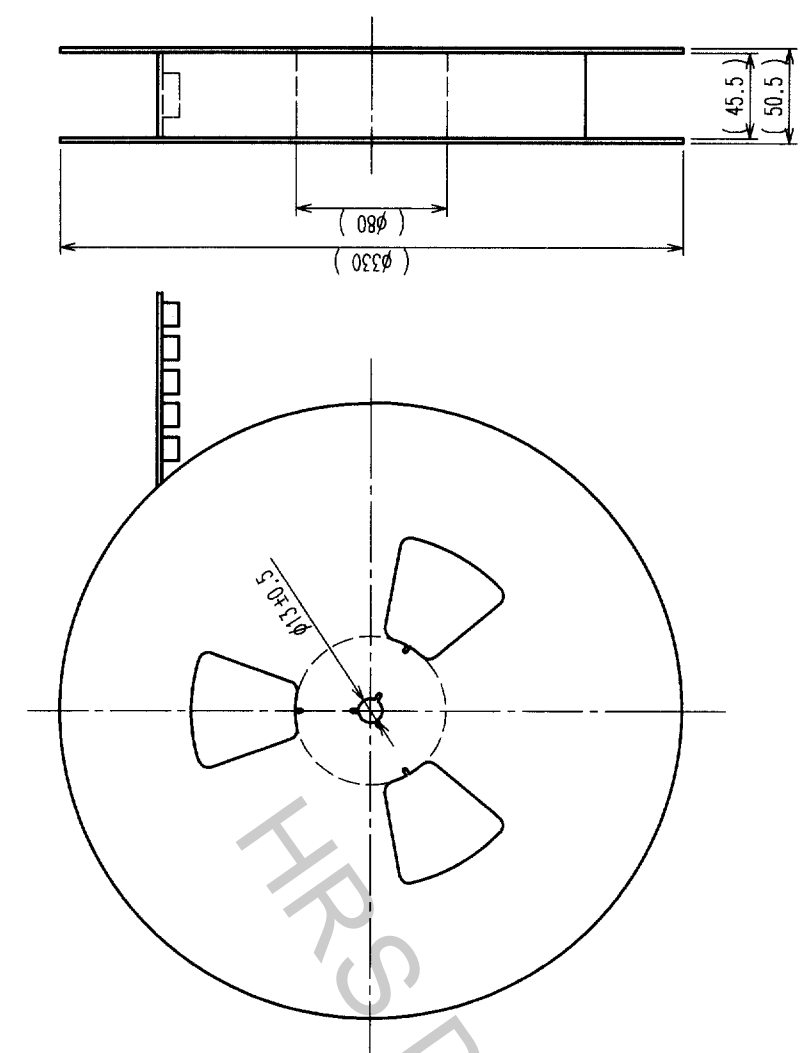
HIROSE ELECTRIC CO., LTD.

PART NO. FX11A-80P-SVO.5(22)

CODE NO. CL573-0648-5-22

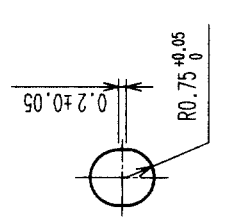
COUNT	DESCRIPTION OF REVISIONS	BY	CHKD	DATE	COUNT	DESCRIPTION OF REVISIONS	BY	CHKD	DATE
△					△				
△					△				
△					△				

REELED DIMENSION(FREE)

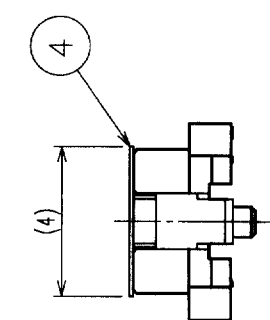


THE DIRECTION OF PULLING OUT →

A (5:1)



DETAIL FOR VACUUM PICKUP (5:1)



- NOTES 1 REEL: 1000 CONNECTORS.
- 2 MINIMUM 10 COMPARTMENTS FROM BOTH REEL ENDS REMAIN EMPTY.
- 3 THIS PRODUCT HAS NO POLARITY TO TAPE AND REEL PACKAGING.

2	PET	TOP COVER TAPE	4	POLYIMIDE	(TAPE FOR VACUUM PICKUP)
1	PS	EMBOSSED CARRIER TAPE	3	(CONNECTOR)	
NO.	MATERIAL	FINISH, REMARKS	NO.	MATERIAL	FINISH, REMARKS
CODE NO. (OLD)	DRAWN		DESIGNED	CHECKED	APPROVED
CL	H. Nakamura		H. Nakamura	H. Nakamura	J. Johnson
	02-08-07		02-07-07	02-08-07	02-08-07
DRAWING FOR PACKING		PART NO.		RELEASED	
EDC3-152626-02		FX11A-80P-SVO.5(22)			
SCALE		DRAWING NO.		PART NO.	
2:1		EDC3-152626-02		FX11A-80P-SVO.5(22)	
UNITS		CODE NO.		CODE NO.	
mm		CL573-0648-5-22		CL573-0648-5-22	

TO	
PCK	