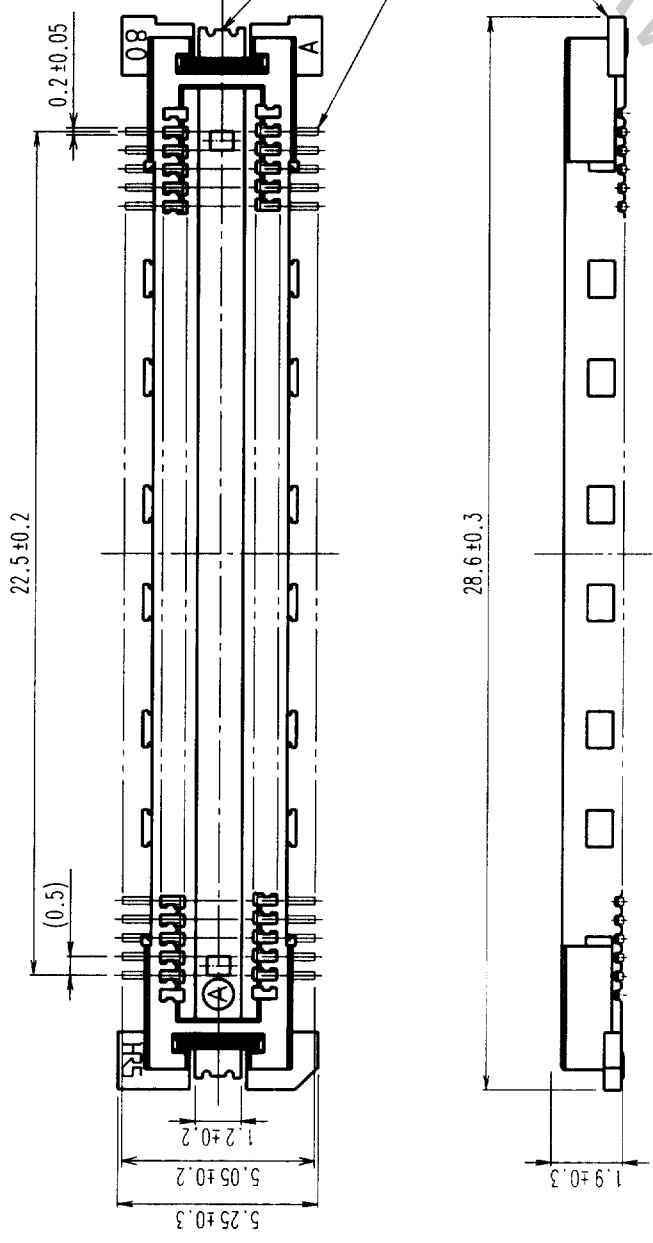
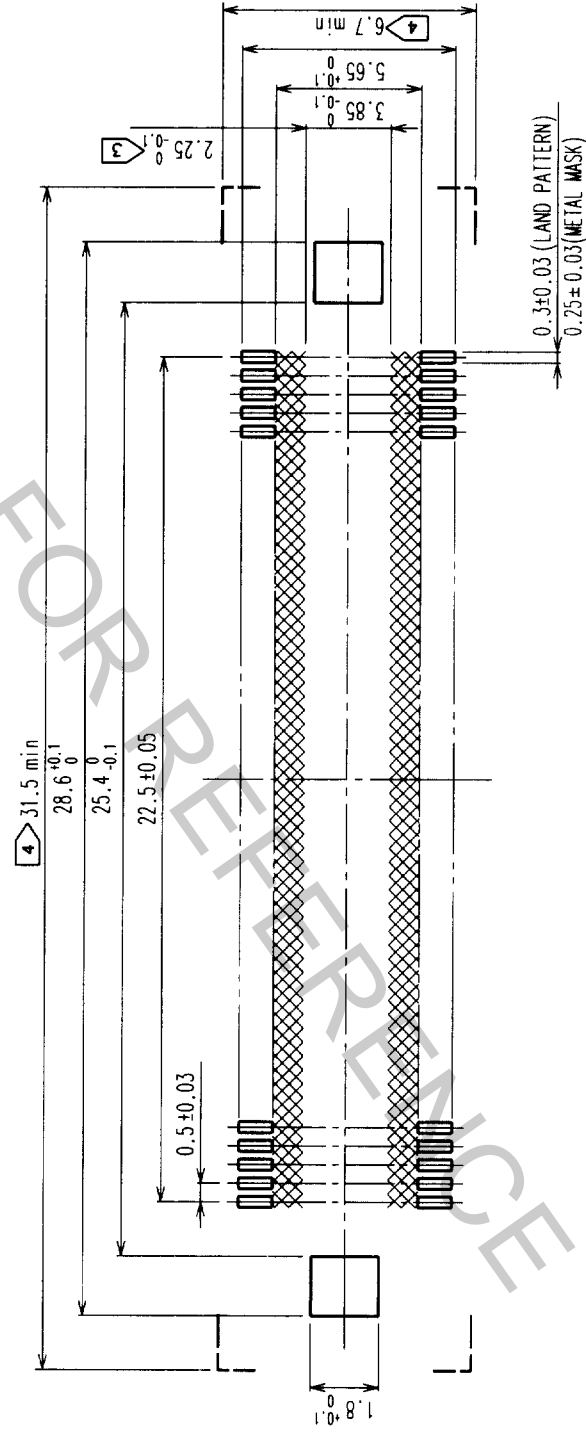


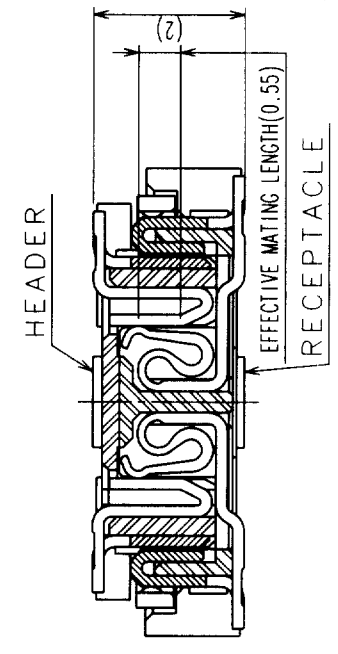
COUNT	DESCRIPTION OF REVISIONS	BY	CHKD	DATE
△				
△				
△				



RECOMMENDED LAND PATTERN DIMENSION OF PCB



SIGNAL PORTION CROSS SECTION (10:1)



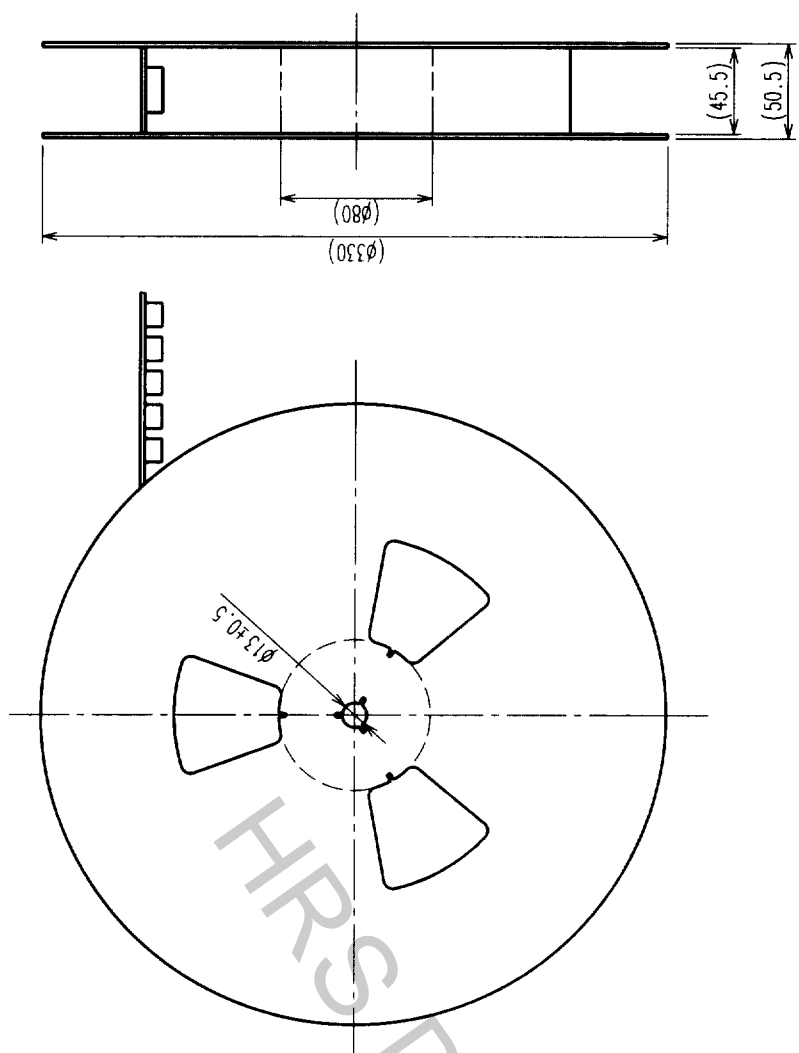
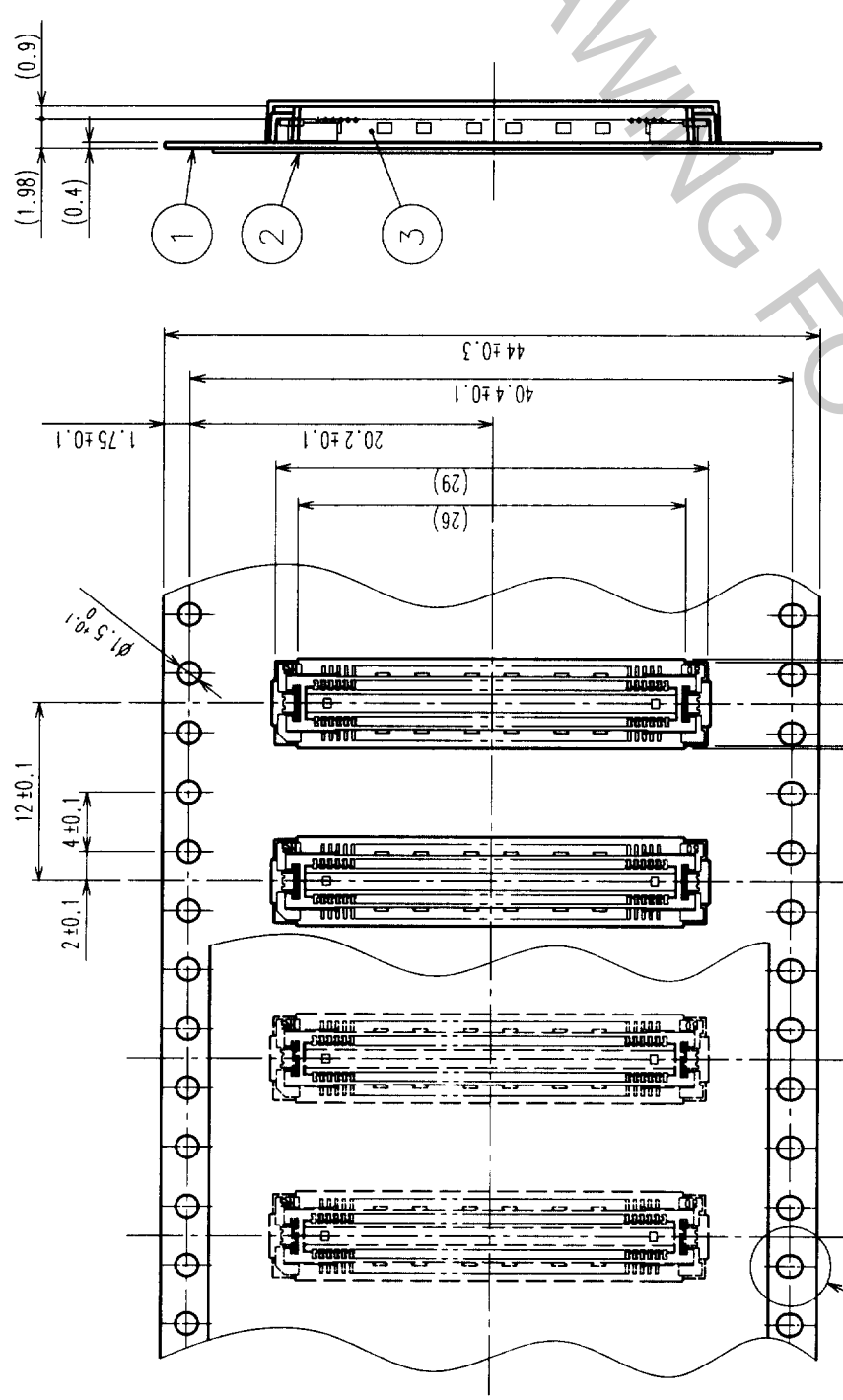
- NOTES
- SMT LEAD-COPLANARITY: 0.1 MAX.
 - THIS PRODUCT HAS NO POLARITY TO PATTERN FOR MOUNTING.
 - MAKE SURE WIDTH OF PATTERN IS WITHIN THAT OF LAND, OR LEAD MAY TOUCH PATTERN. (THIS APPLIES TO HATCHED AREA.)
 - DO NOT MOUNT OTHER DEVICES ONTO [] AREA, OR MATING PAIR CANNOT BE MATED.
 - TO BE EMBOSSED CARRIER TAPED AS SPECIFIED IN SHEET 2.

2	COPPER ALLOY	CONTACT AREA: GOLD (0.1μm) OVER NICKEL
1	LCP	LEAD: GOLD FLASH OVER NICKEL
NO.	MATERIAL	FINISH, REMARKS
		BEIGE UL94V-0
CODE NO. (OLD)	CL	
DRAWN	DESIGNED	CHECKED
APPROVED	APPROVED	APPROVED
RELEASED	RELEASED	RELEASED
PHOSPHOR BRONZE	TIN PLATED	FINISH, REMARKS
NO.	MATERIAL	
3		
PART NO.	FX11LB-92P-SV (21)	
DRAWING NO.	EDC3-152105-01	
SCALE	5 : 1	
UNITS	mm	
CODE NO.	CL573-0053-8-21	

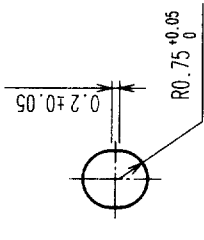
TO	
PCK	

COUNT	DESCRIPTION OF REVISIONS	BY	CHKD	DATE	COUNT	DESCRIPTION OF REVISIONS	BY	CHKD	DATE
△					△				
△					△				
△					△				

REELED DIMENSION (Free)



A (5:1)



- NOTES 1 REEL: 1000 CONNECTORS.
- 2 MINIMUM 10 COMPARTMENTS FROM BOTH REEL ENDS REMAIN EMPTY.
- 3 THIS PRODUCT HAS NO POLARITY TO TAPE AND REEL PACKAGING.

2	PET	TOP COVER TAPE	3	(CONNECTOR)
1	PS	EMBOSSED CARRIER TAPE	3	(CONNECTOR)
NO.	MATERIAL	FINISH, REMARKS	NO.	MATERIAL
CODE NO. (OLD)		CL	DESIGNED	CHECKED
DRAWING FOR PACKING			APPROVED	RELEASED
DRAWING NO. EDC3-152105-01		PART NO. FX11LB-92P-SV(21)		
SCALE 2:1		CODE NO. CL573-0053-8-21		
UNITS mm		HIROSE ELECTRIC CO., LTD		

TO	
PCK	