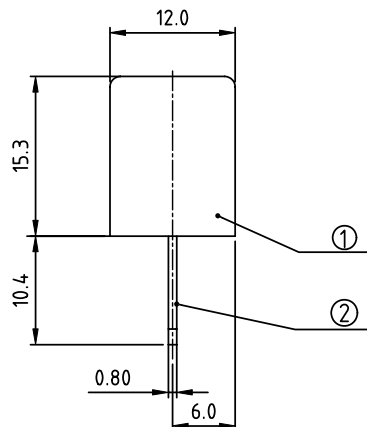
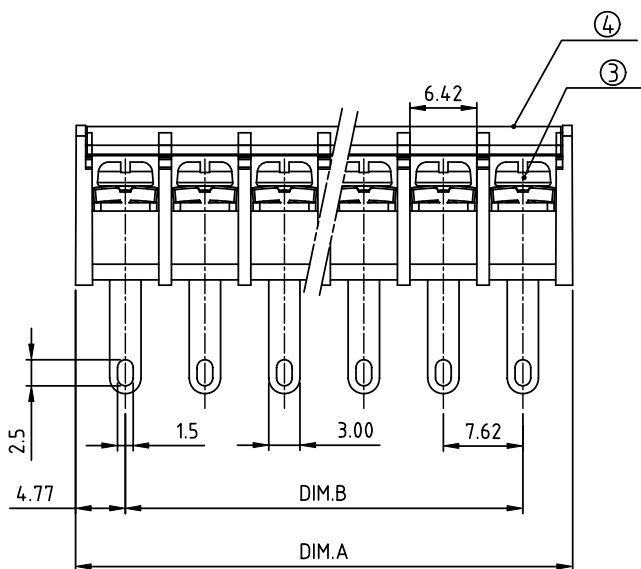
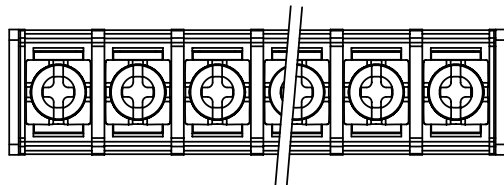


PRODUCT NUMBER	PITCH
YK305xx2x0J0G	7.62 mm



MATERIALS ELECTRICAL
 RATED VOLTAGE & CURRENT: 300 V, 15 A
 WITHSTAND VOLTAGE: AC 2000 V/Min
 INSULATION RESISTANCE: 1000 MΩ OR MORE AT DC 500 V
 OPERATING TEMPERATURE RANGE: -40 °C ~ +115 °C
 SCREW TORQUE VALUE: 5.2 Lb-In.
 WIRE RANGE: 14 ~ 22 AWG
 1) HOUSING: THERMOPLASTIC, UL 94 V-0 BLACK
 2) TERMINAL: BRASS, 0.8t
 3) TERMINAL SCREWS: STEEL, M3
 4) COVER: TRANSPARENT, PC

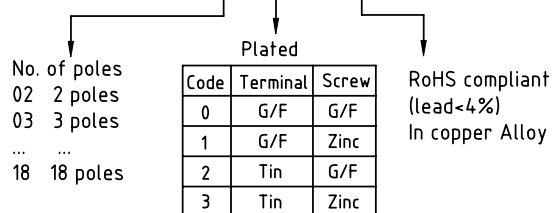
DIMENSION

Dim A	(N-1)×7.62+9.54
Dim B	(N-1)×7.62

N=Number of poles

Poles	Tolerance
2p-4p	±0.20
5p-10p	±0.30
11p-16p	±0.40
17p-18p	±0.50

PART NO.: YK 305xx 2 x 0 J0G



mat'l. code		surface ASME Y14.5 ✓	tolerance ASME Y14.5	projection 	product family TERMINAL BLOCK
ltr	ecn no	dr	date	tolerances unless otherwise specified	title TERMINAL BLOCK BARRIER TYPE, WITH COVER
				angles X±0.5 X.X±0.3 X'±1"	
				scale MM	dwg no YK305xx2x0J0G
				dr HANKE FENG 060914	sheet 1 of 1
				enr HANKE FENG 060914	size A4
				chr HANKE FENG 060914	type CUSTOMER Drawing
				appd SHI JUN 060914	
sheet index	revision sheet	A	1		