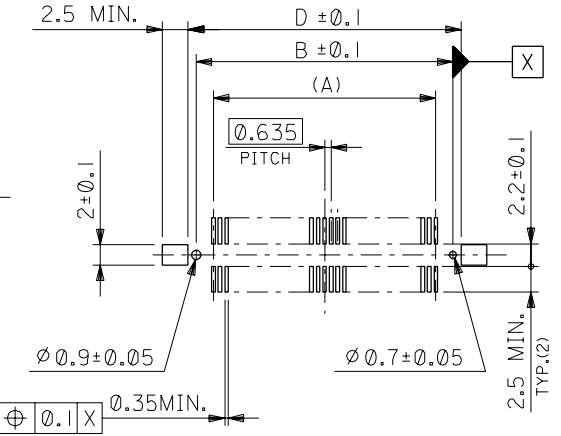
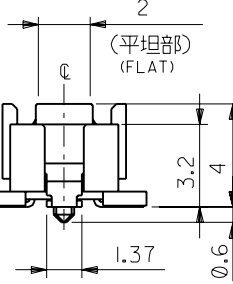


半田付け部詳細図  
DETAIL FOR SOLDERING AREA



推奨基板寸法  
RECOMMENDED PCB PATTERN LAYOUT  
(SCALE:2-1)

注) NOTES

- 材質 MATERIAL  
ハウジング : ガラス入りLCP, 白色, UL94V-0  
HOUSING: LIQUID CRYSTAL POLYMER, GLASS FILLED, WHITE, UL94V-0  
ターミナル : 銅合金 (t=0.2)  
TERMINAL: COPPER ALLOY
- メッキ仕様 PLATING  
接点部 : 金メッキ 0.25 μm MIN.  
CONTACT AREA: GOLD 0.25 MICROMETER MINIMUM  
半田付け部 : 半田メッキ, Sn/Pb=90/10(%) 1.0 μm MIN.  
SOLDER TAIL AREA: TIN-LEAD, Sn/Pb=90/10(%) 1.0 MICROMETER MINIMUM  
下地メッキ : ニッケルメッキ 1.5 μm MIN.  
UNDER-PLATING: NICKEL 1.5 MICROMETER MINIMUM
- テールのバラツキ寸法 TAIL COPLANARITY  
テール平坦度は 0.1MAX. とする。  
TAIL COPLANARITY TO BE 0.1 MAXIMUM
- エンボス対応済みの極数については, SD-52760-\*\*\*8を参照下さい。  
FOR THE EMBOSSED PACKAGE PRODUCTS, SEE SD-52760-\*\*\*8.

|                          |                          |
|--------------------------|--------------------------|
| 7 mm                     | 53481-***7               |
| 6 mm                     | 53467-***0               |
| 5 mm                     | 53475-***0               |
| 基板間寸法<br>STACKING HEIGHT | 嵌合相手<br>TO BE MATED WITH |

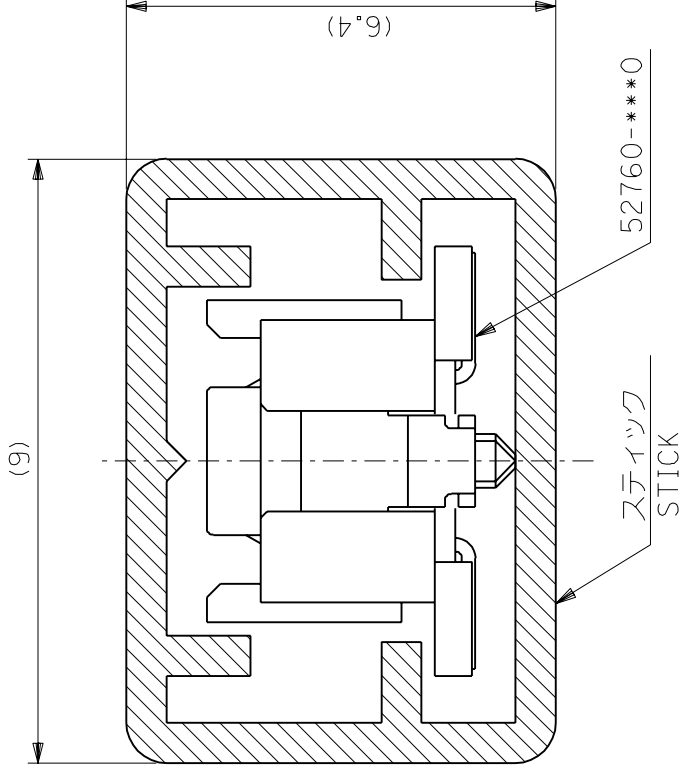
|           |       |       |       |        |            |            |            |            |       |    |   |
|-----------|-------|-------|-------|--------|------------|------------|------------|------------|-------|----|---|
| 無し<br>NO  | 80.47 | 84.07 | 78.87 | 75.565 | —          | —          | 52760-2409 | 52760-2400 | 240   | —  |   |
|           | 67.77 | 71.37 | 66.17 | 62.865 | —          | —          | —2009      | —2000      | 200   | ○  |   |
|           | 61.42 | 65.02 | 59.82 | 56.515 | —          | —          | -1809      | -1800      | 180   | ○  |   |
|           | 55.07 | 58.67 | 53.47 | 50.165 | 52760-1606 | —          | -1609      | -1600      | 160   | ○  |   |
|           | 48.72 | 52.32 | 47.12 | 43.815 | —          | —          | -1409      | -1400      | 140   | ○  |   |
|           | 42.37 | 45.97 | 40.77 | 37.465 | —          | —          | -1209      | -1200      | 120   | ○  |   |
|           | 36.02 | 39.62 | 34.42 | 31.115 | —          | 52760-1008 | -1009      | -1000      | 100   | ○  |   |
|           | 32.85 | 36.45 | 31.25 | 27.94  | —          | —          | -0908      | -0909      | -0900 | 90 | ○ |
|           | 29.67 | 33.27 | 28.07 | 24.765 | —          | —          | -0808      | -0809      | -0800 | 80 | ○ |
|           | 26.5  | 30.1  | 24.9  | 21.59  | —          | —          | -0708      | -0709      | -0700 | 70 | ○ |
| 有り<br>YES | 25.86 | 29.43 | 24.26 | 20.955 | —          | —          | -0688      | -0689      | -0680 | 68 | ○ |
|           | 23.32 | 26.92 | 21.72 | 18.415 | —          | —          | -0608      | -0609      | -0600 | 60 | ○ |
|           | 20.15 | 23.75 | 18.55 | 15.24  | —          | —          | -0508      | -0509      | -0500 | 50 | ○ |
|           | 16.97 | 20.57 | 15.37 | 12.065 | —          | —          | -0408      | -0409      | -0400 | 40 | ○ |
|           | 13.8  | 17.4  | 12.2  | 8.89   | —          | —          | -0308      | -0309      | -0300 | 30 | ○ |
| 10.62     | 14.22 | 9.02  | 5.715 | —      | —          | 52760-0208 | 52760-0209 | 52760-0200 | 20    | ○  |   |

|                       |   |   |   |   |                         |                              |                            |                  |                |                   |
|-----------------------|---|---|---|---|-------------------------|------------------------------|----------------------------|------------------|----------------|-------------------|
| ハウジングロック<br>HS'G LOCK | D | C | B | A | トレイ梱包<br>TRAY PACKAGING | エンボス梱包<br>EMBOSSED PACKAGING | スティック梱包<br>STICK PACKAGING | 製品番号<br>ENG. NO. | 極数<br>CKT. NO. | 量産対応<br>AVAILABLE |
|-----------------------|---|---|---|---|-------------------------|------------------------------|----------------------------|------------------|----------------|-------------------|

|                      |  |                    |  |  |  |
|----------------------|--|--------------------|--|--|--|
| 材料 MATERIAL          |  | 注) 参照<br>SEE NOTES |  | molex MOLEX-JAPAN CO., LTD.<br>日本モレックス株式会社 |  |
| 仕上げ FINISH           |  | 注) 参照<br>SEE NOTES |  | REVISE ONLY ON CAD SYSTEM                  |  |
| 適用電線範囲<br>WIRE RANGE |  | —                  |  | TITLE 名称                                   |  |
| 被覆外径<br>INS. RANGE   |  | —                  |  | 0.635 PITCH B-T0-B<br>S/T REC. HS'G ASS'Y  |  |
| DRAWN BY '94/04/29   |  | CHK'D BY           |  | DWG. NO.                                   |  |
| APP'D BY '94/04/29   |  | SCALE 5-1          |  | SD-52760-***0                              |  |
| DR. CHK.             |  | DATE               |  | REV C                                      |  |

|                                |       |   |                             |     |     |          |
|--------------------------------|-------|---|-----------------------------|-----|-----|----------|
| 角度 ANGLE                       | ±3°   | C | 変更<br>REVISED (JD2001-1433) | Y.N | M.S | 01/04/23 |
| 30以上<br>OVER                   | +0.3  | B | 変更<br>REVISED (JD90957)     | H.S | M.S | 99/01/13 |
| 10以上<br>OVER 30<br>未満<br>UNDER | +0.25 | A | 変更<br>REVISED (JD80273)     | C.I | M.S | 97/08/21 |
| 10<br>UNDER                    | +0.2  | 0 | 新規作成<br>RELEASED (T4024)    | M.Y | Y.1 | 94/04/29 |

DWG. NO. SD-52760-\*\*\*\*9



注)  
NOTES.

1. スティック両端はキャップ止め。  
BOTH ENDS WITH CAPS.
2. 全長: 600±2  
TOTAL LENGTH
3. 肉厚: 0.6±0.2  
THICKNESS
4. 量産対応済の極数については、  
SD-52760-\*\*\*\*0を参照下さい。  
SEE SD-52760-\*\*\*\*0 FOR AVAILABLE ITEMS.

|                    |       |       |
|--------------------|-------|-------|
| 角度                 | ANGLE | ±3°   |
| 30以上               | OVER  | ±0.3  |
| 10以上               | OVER  | ±0.25 |
| 10未満               | UNDER | ±0.2  |
| 一般公差               |       |       |
| GENERAL TOLERANCES |       |       |

|    |            |     |
|----|------------|-----|
| 6  | 52760-2409 | 240 |
| 7  | -2009      | 200 |
| 8  | -1809      | 180 |
| 9  | -1609      | 160 |
| 10 | -1409      | 140 |
| 12 | -1209      | 120 |
| 14 | -1009      | 100 |
| 15 | -0909      | 90  |
| 17 | -0809      | 80  |
| 18 | -0709      | 70  |
| 19 | -0689      | 68  |
| 21 | -0609      | 60  |
| 23 | -0509      | 50  |
| 27 | -0409      | 40  |
| 32 | -0309      | 30  |
| 39 | 52760-0209 | 20  |

梱包数  
QUANTITY

ENG. NUMBER

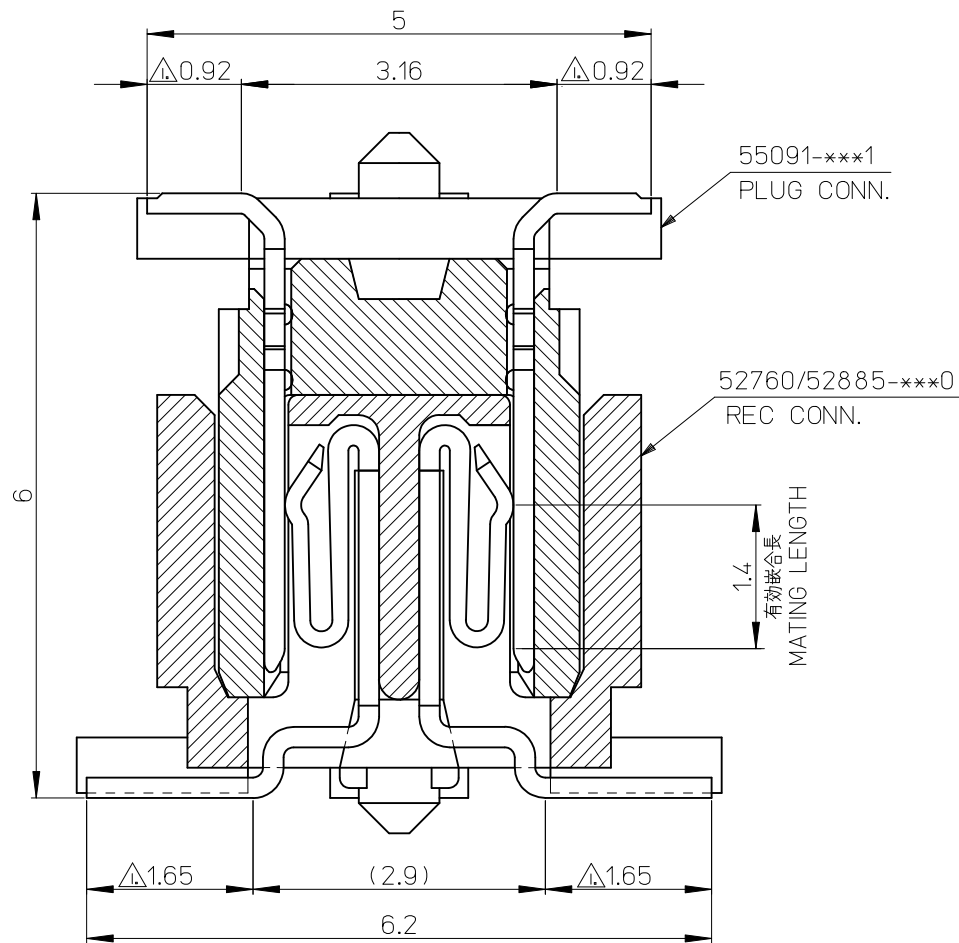
極数  
NO. OF CKT.

|                    |       |       |
|--------------------|-------|-------|
| 角                  | ANGLE | ±3°   |
| 30以上               | OVER  | ±0.3  |
| 10以上               | OVER  | ±0.25 |
| 10未満               | UNDER | ±0.2  |
| 一般公差               |       |       |
| GENERAL TOLERANCES |       |       |

|                 |               |               |
|-----------------|---------------|---------------|
| 材料              | MATERIAL      | スティック:ポリ塩化ビニル |
| 仕上げ             | FINISH        | —             |
| 適用電線範囲          | WIRE RANGE    | —             |
| 被覆外径            | INS. RANGE    | —             |
| DRAWN BY        | CHK'D BY      | 94/04/29      |
| DATE            | DATE          | 97/08/21      |
| APPRO'D BY      | SCALE         | 10 - 1        |
| REVISION RECORD | DR. CHK.      | DATE          |
| A               | 変更 (JD80273)  | C.M.S         |
| O               | 新規作成 (T40241) | M.Y.!         |

|   |     |
|---|-----|
| MOLEX-JAPAN CO.,LTD.<br>molex 日本モロックス株式会社 |     |
| REVISE ONLY ON CAD SYSTEM                 | REV |
| TITLE 名称                                  | A   |
| 52760-****0                               | REV |
| STICK PACKAGING                           | A   |
| DWG. NO.                                  | REV |
| SD-52760-****9                            | A   |

DIMENSIONS IN METRIC DO NOT SCALE DRAWING



注)  
 $\triangle$  基板接地長さ  
 FLAT AREA

|  |                                       |   |                             |  |  |                              |
|--|---------------------------------------|---|-----------------------------|--|--|------------------------------|
| REVISED<br>EC NO: J2011-0463<br>DRWN: YON002<br>CH'KD: KTOYOTA<br>APPR: MSASAO<br>2010/09/30<br>2010/09/30<br>2010/10/01 | GENERAL TOLERANCES (UNLESS SPECIFIED) |   | DIMENSION STYLE<br>MM ONLY  | SCALE<br>---   | DESIGN UNITS<br>METRIC   | THIRD ANGLE PROJECTION       |
|  | 10 UNDER                              | ± ---   | DRAWN BY<br>H. SHIMOYAMA    | DATE<br>2001/09/17   | TITLE<br>MATING CROSSSECTION(H=6)<br>0.635 MM PITCH B/B CONN.<br>52760/52885/55091 |                              |
|  | 10 OVER 30 UNDER                      | ± ---   | CHECKED BY<br>K. KASAHARA   | DATE<br>2001/09/17   | MOLEX INCORPORATED   |                              |
|  | 30 OVER                               | ± ---   | APPROVED BY<br>T. YAMAGUCHI | DATE<br>2001/09/17   | MATERIAL NO.   | DOCUMENT NO.<br>SD-52760-012 |
| A  | DESCRIPTION                           | ANGULAR ± --- °<br>DRAFT WHERE APPLICABLE<br>MUST REMAIN<br>WITHIN DIMENSIONS | SIZE<br>A3                  | THIS DRAWING CONTAINS INFORMATION THAT IS PROPRIETARY TO MOLEX<br>INCORPORATED AND SHOULD NOT BE USED WITHOUT WRITTEN PERMISSION |  |                              |
|  | REV                                   |   |                             |  | SHEET NO.<br>1 OF 1  |                              |