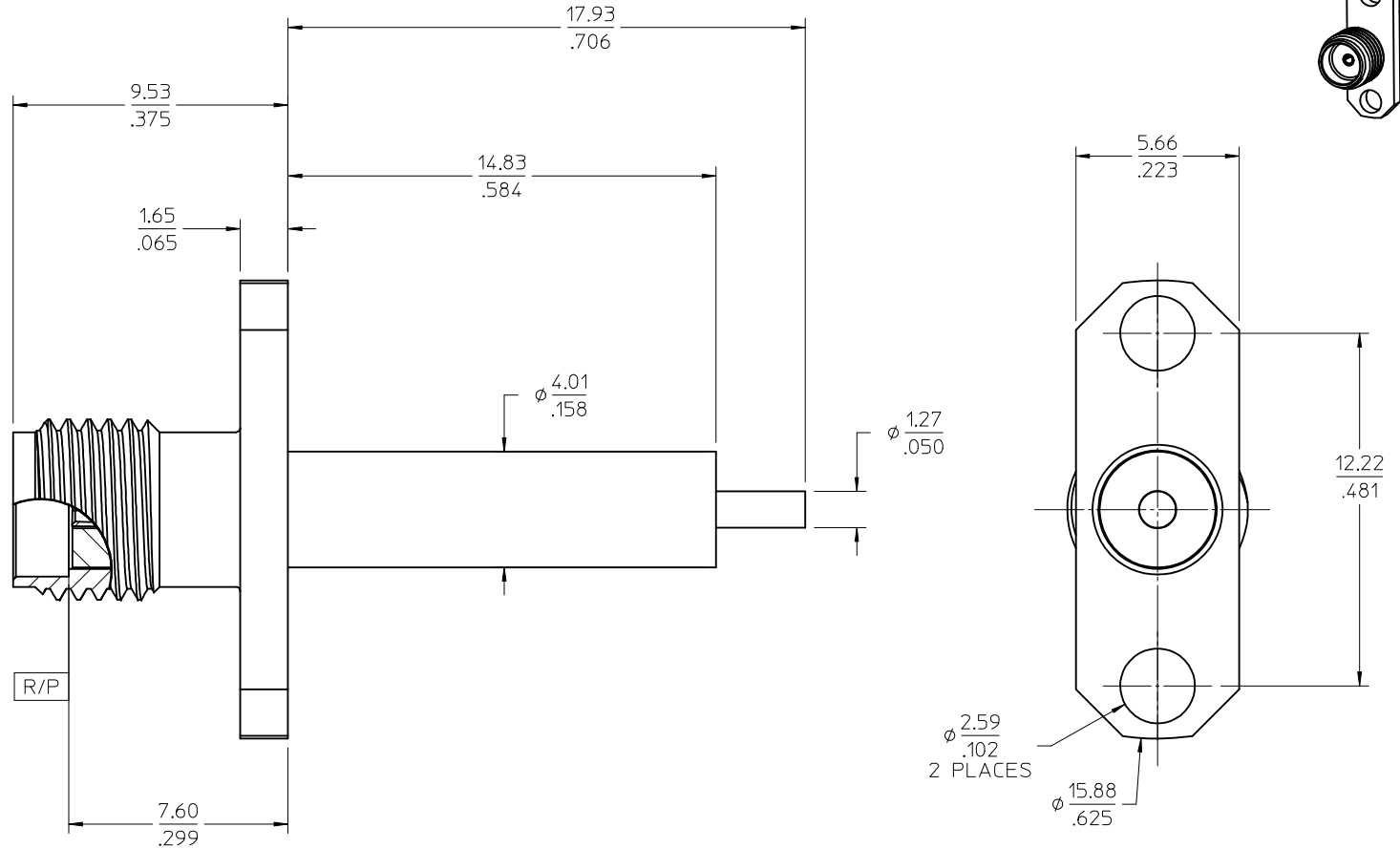


MATERIALS AND FINISHES

BODY: STAINLESS STEEL  
PLATED SEE TABLE

CONTACT: BERYLLIUM COPPER  
PLATED GOLD 30 MICRINCHES

INSULATOR: TEFLON



73251-0422	10 u-IN GOLD	STANDARD
73251-0421	PASSIVATED	73251-0420 BY TRAY (20 CAV.)
73251-0420	PASSIVATED	STANDARD
PART NO.	FINISH	PACKAGING

PS-89675-2820	ELEC/MECH PERFORMANCE
MIL-STD-348A, FIG. 310.2	INTERFACE
SPECIFICATION	DESCRIPTION

CHG: ADDED TABULATION FOR PLATING. ADDED 73251-0422. EC NO: URF2010-0257 DRWN:ROBERTSON 2009/11/02 CHKD:SSS 2009/11/02 APPR:JWIENER 2009/11/02 REV A3	QUALITY SYMBOLS	GENERAL TOLERANCES (UNLESS SPECIFIED)	DIMENSION STYLE	SCALE	DESIGN UNITS	THIRD ANGLE PROJECTION
	▼=0 ▽=0	mm INCH 4 PLACES ± --- ± --- 3 PLACES ± --- ± --- 2 PLACES ± --- ± --- 1 PLACE ± --- ± --- ANGULAR ± 2 °	MM/IN	DRAWN BY DATE TEF 2001/06/22 CHECKED BY DATE SSS 2001/06/22 APPROVED BY DATE GMH 2001/06/22	TITLE	MOLEX MOLEX INCORPORATED DOCUMENT NO. SD-73251-042 SHEET NO. 1 OF 1

DRAFT WHERE APPLICABLE MUST REMAIN WITHIN DIMENSIONS	SEE TABLE
--	-----------