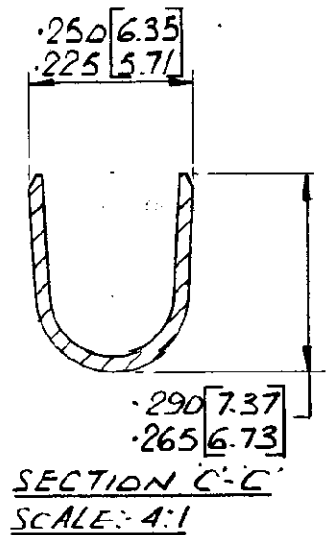
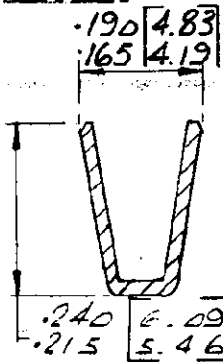
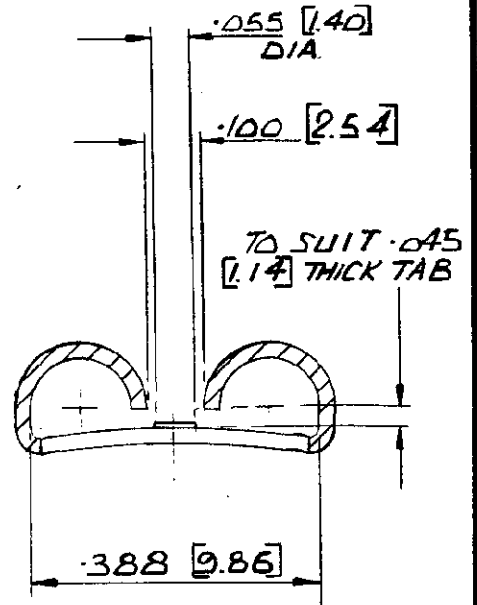
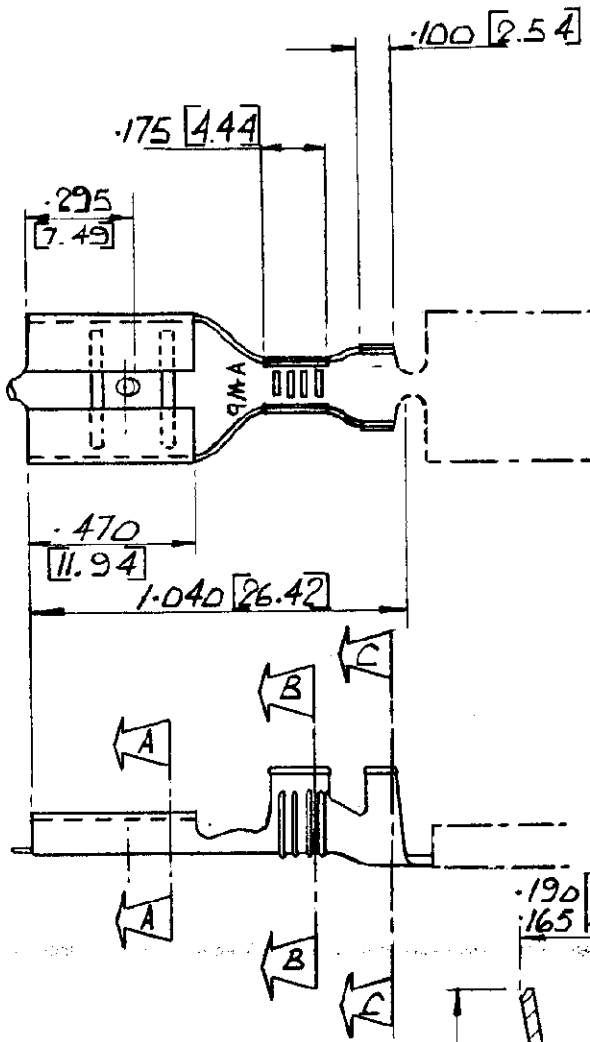


C-150530

3rd ANGLE (AMERICAN) PROJECTION

DIMENSIONS IN INCHES. DO NOT SCALE PRINT  
DIMENSIONS THUS [ ] IN MM.



150530-2	NONE	PHOS. BRZ.	—
150530-1	ELECT-TIN	BRASS	150270-1
150530	NONE	BRASS	150270
PART N°	FINISH	MATERIAL	LOOSE PIECE

SECTION B-B  
SCALE: 4:1

SECTION C-C  
SCALE: 4:1

F1	REVISED PER ECO-11-005294	RK	HMR	12APR11
LTR	REVISION RECORD	DR	CHK	DATE

MATERIAL AND FINISH  
 .020 [0.51] STOCK  
 THICKNESS  
 SEE TABLE



TE Connectivity

CLASS WT-R

TYPE AUTOMATIC

WIRE — RANGE — INSULATION  
 2-6mm<sup>2</sup> .160-.210

TOLERANCE EXCEPT AS NOTED  
 ± 015 [0.38] ± 1°

SCALE 2:184:1

LOC E

NO A C-150530

REV F1

DR C. SLOUGH DE  
 CHK K. STEVENS 11/17/10 APP [Signature] 9/78

NAME EASTON RECEPTACLE '375 [9.52] SERIES'