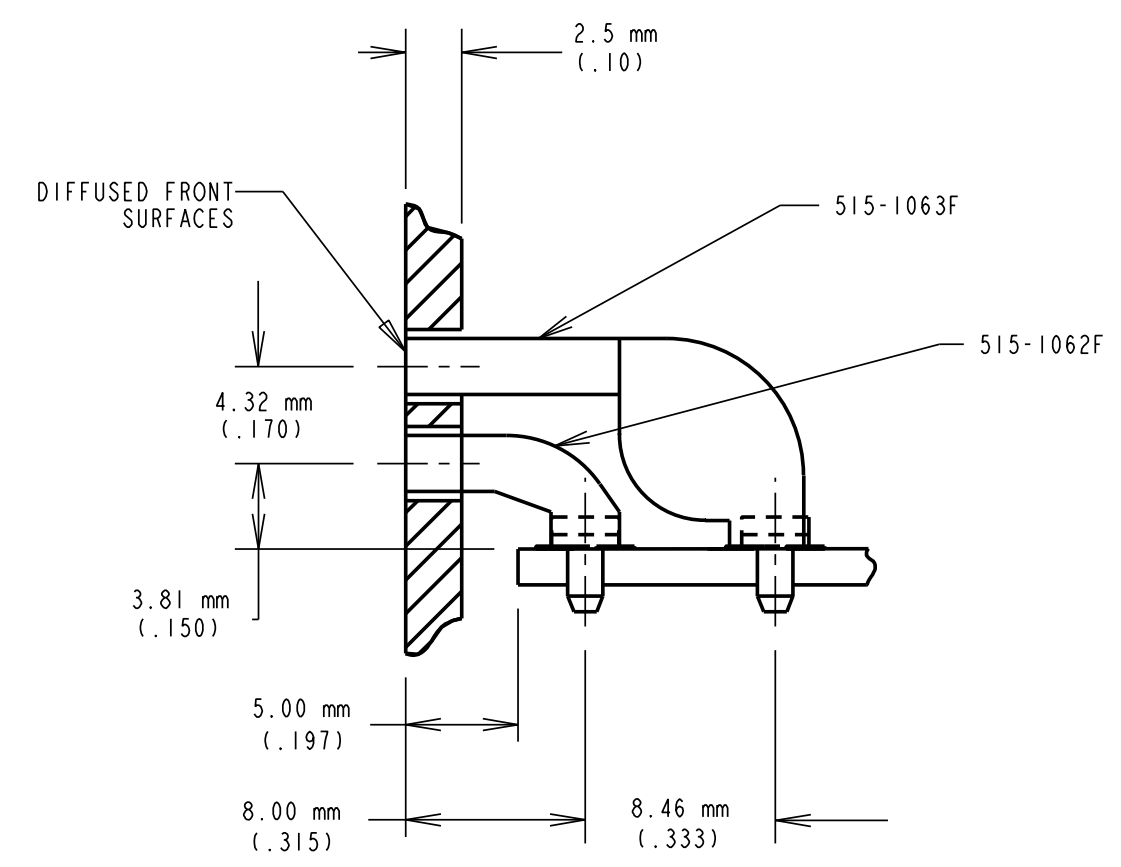
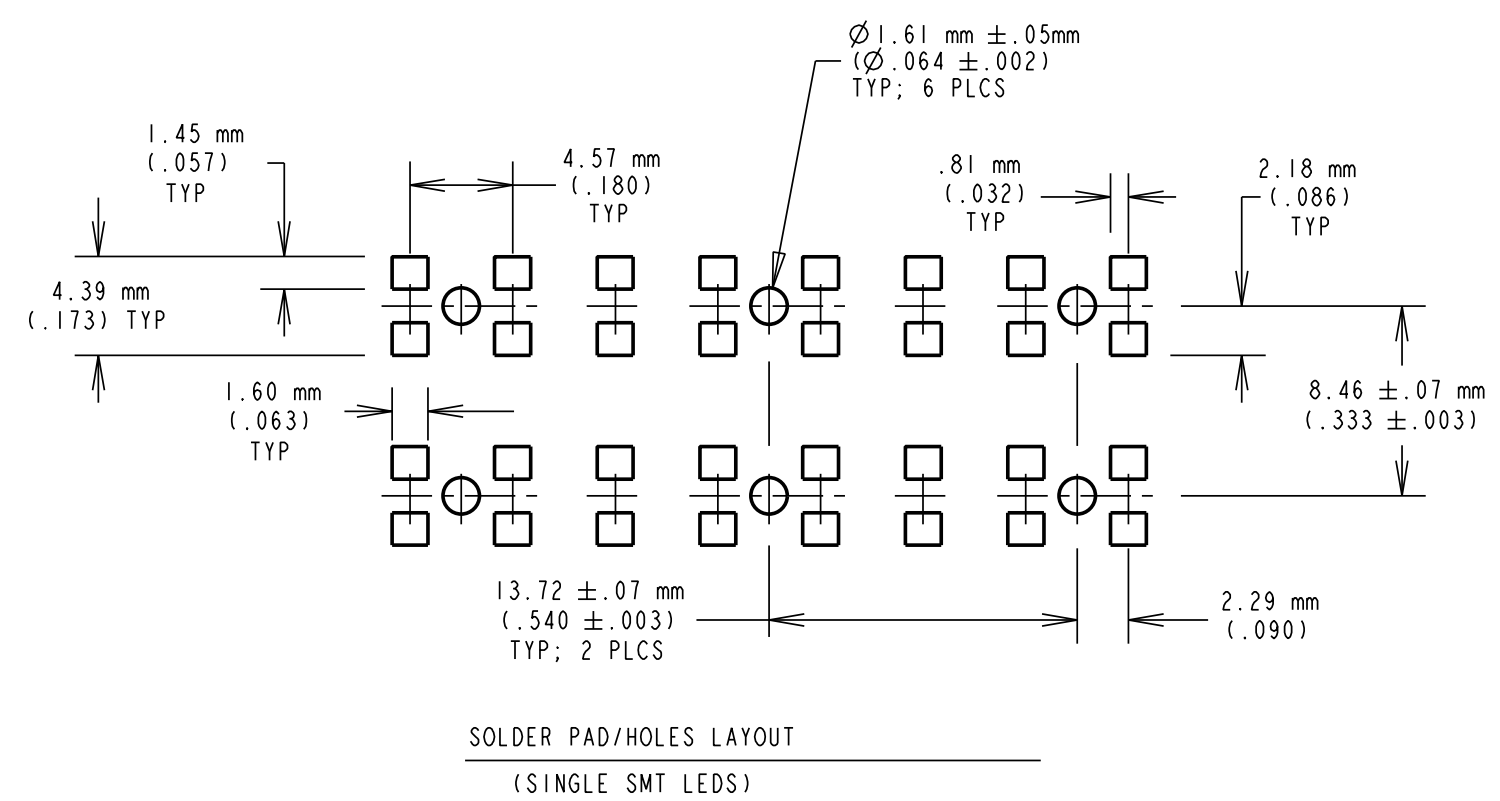
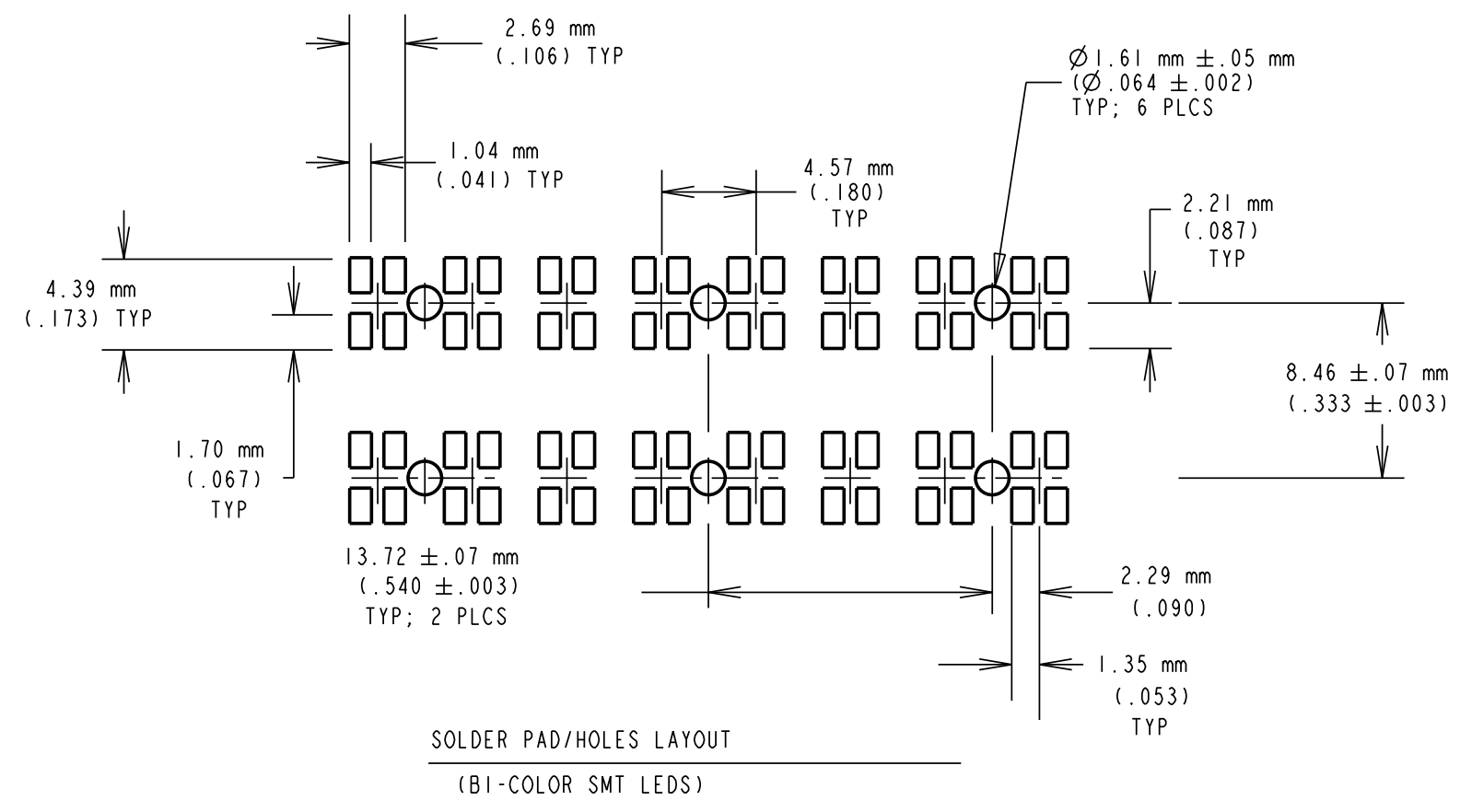
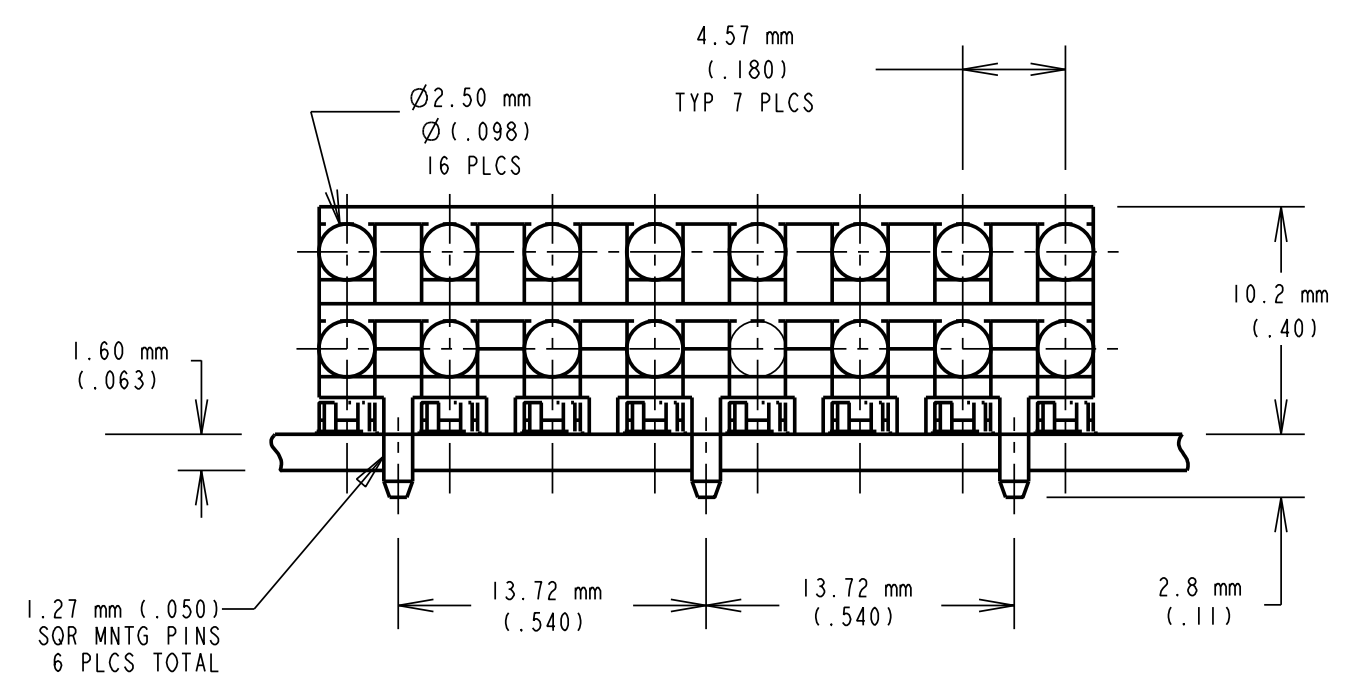


REV	ECN NO	REVISIONS	DRN	CKD	APP	DATE
A	—	NEW RELEASE	M.C.	—	N.O.	4-17-97
B	—	ADDED SOLDER PAD/HOLES LAYOUT FOR SINGLE COLOR LEDS.	M.C.	—	D.C.	7-25-97
C	—	RIB WAS ON RIGHT SIDE.	M.C.	D.C.	A.V.	2-16-99
D	—	Ø 1.61mm (Ø .064) WAS 1.70mm (Ø .067), ADDED NOTE 4, AND 40.1mm (1.58) (REF) WAS 39.1mm (1.54).	M.C.	D.C.	N.O.	4-11-04
E	—	REMOVED P/N 515-1064, ADDED UL 94V-0 FLAMMABILITY SPEC, ADDED RoHS COMPLIANT NOTE, CHANGED P/N'S TO "F" SUFFIX ENDING P/N'S.	KLJ	—	—	—



NOTES:

- COMPONENTS TO BE MOLDED IN A CLEAR TRANSMISSIVE POLYCARBONATE (UL 94V-0 FLAMMABILITY CLASS).
- COMPONENTS DESIGNED TO BE PRESSED INTO P.C. BOARD.
- RECOMMENDED LIGHT SOURCES: SINGLE OR BI-COLOR SMT LEDS (DIALIGHT SERIES P/N'S: 597-7XXX-507 OR 597-3XXX-507).
- DIALIGHT LIGHT PIPE PART NUMBERS: 515-1062F & 515-1063F.

RoHS Compliant 515-1062F & 515-1063F

Part Numbers with the "F" suffix ending are RoHS Compliant. The bag packaging is marked with "RoHS Compliant" label or equivalent markings.

THIS DRAWING AND THE CONTENTS HEREIN ARE CONFIDENTIAL AND THE SOLE PROPERTY OF DIALIGHT. REPRODUCTION OF THIS DRAWING OR CONSTRUCTION OF ANY PARTS WITHIN THIS DRAWING ARE FORBIDDEN WITHOUT THE WRITTEN CONSENT OF DIALIGHT.		
SCALE: DRAWING SCALE	DRAWING NUMBER	REV
ALL DIM'S IN: MM (INCHES)	C-16181	E
TOLERANCES: UNLESS OTHERWISE SPECIFIED	TITLE MULTI-ELEMENT LIGHT PIPES (RoHS COMPLIANT)	
FRACTIONS: ±1/64	MATERIAL	
DECIMALS (.XX): ±.02	Dialight 1501 ROUTE 34 SOUTH FARMINGDALE, NJ 07727	
DECIMALS (.XXX): ±.015	FSCM 83330	
DECIMALS (.XXXX): ±.0005	SHEET 1 OF 1 FAMILY TABLE:	
ANGLES: ±3°		