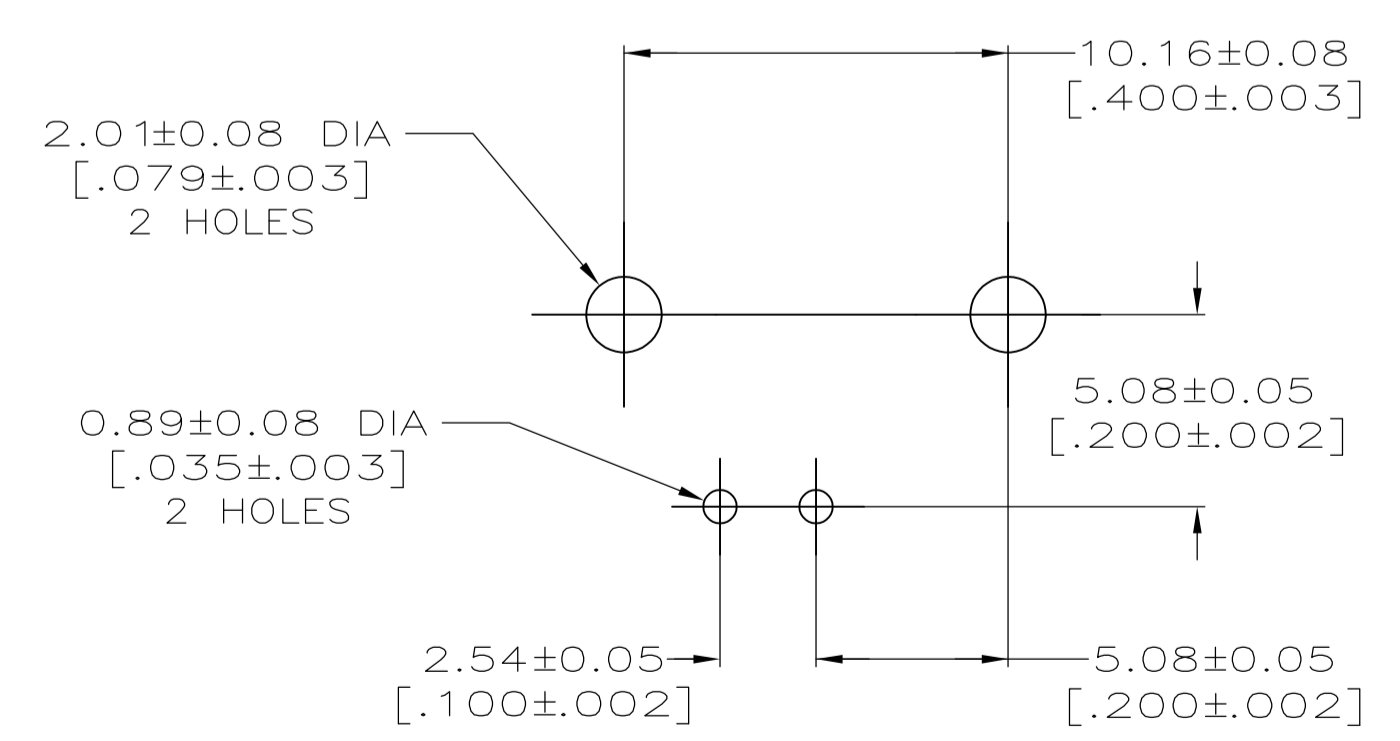
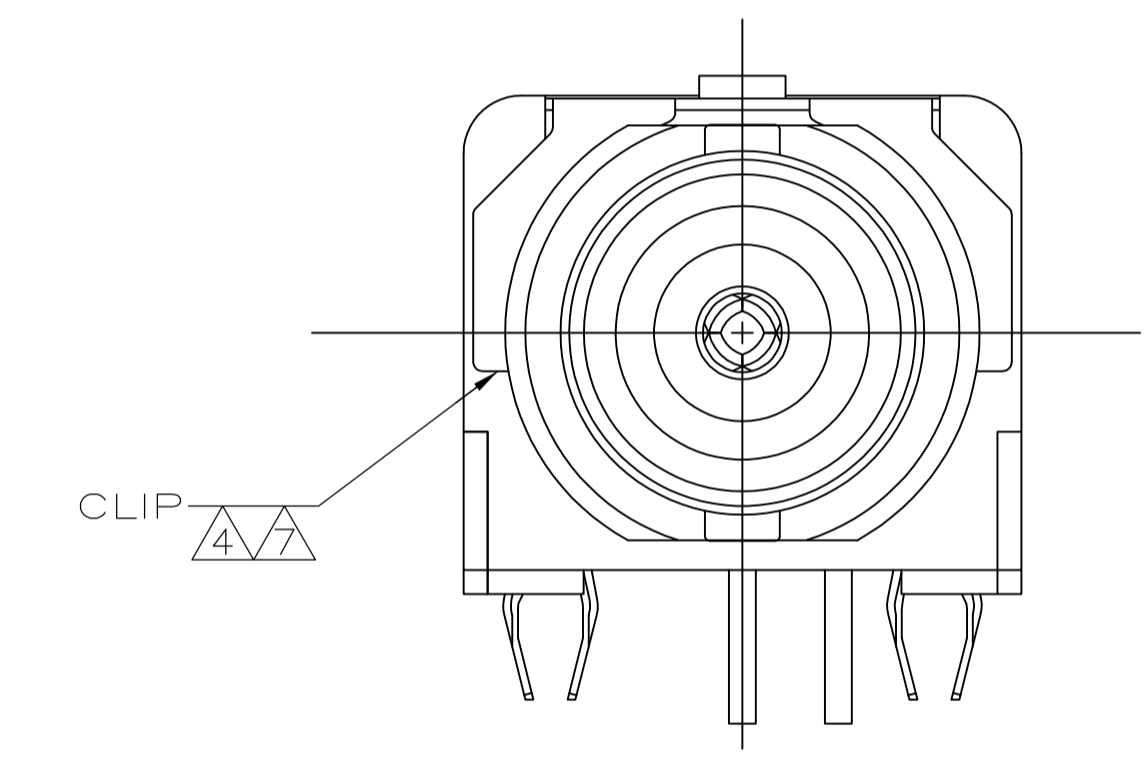
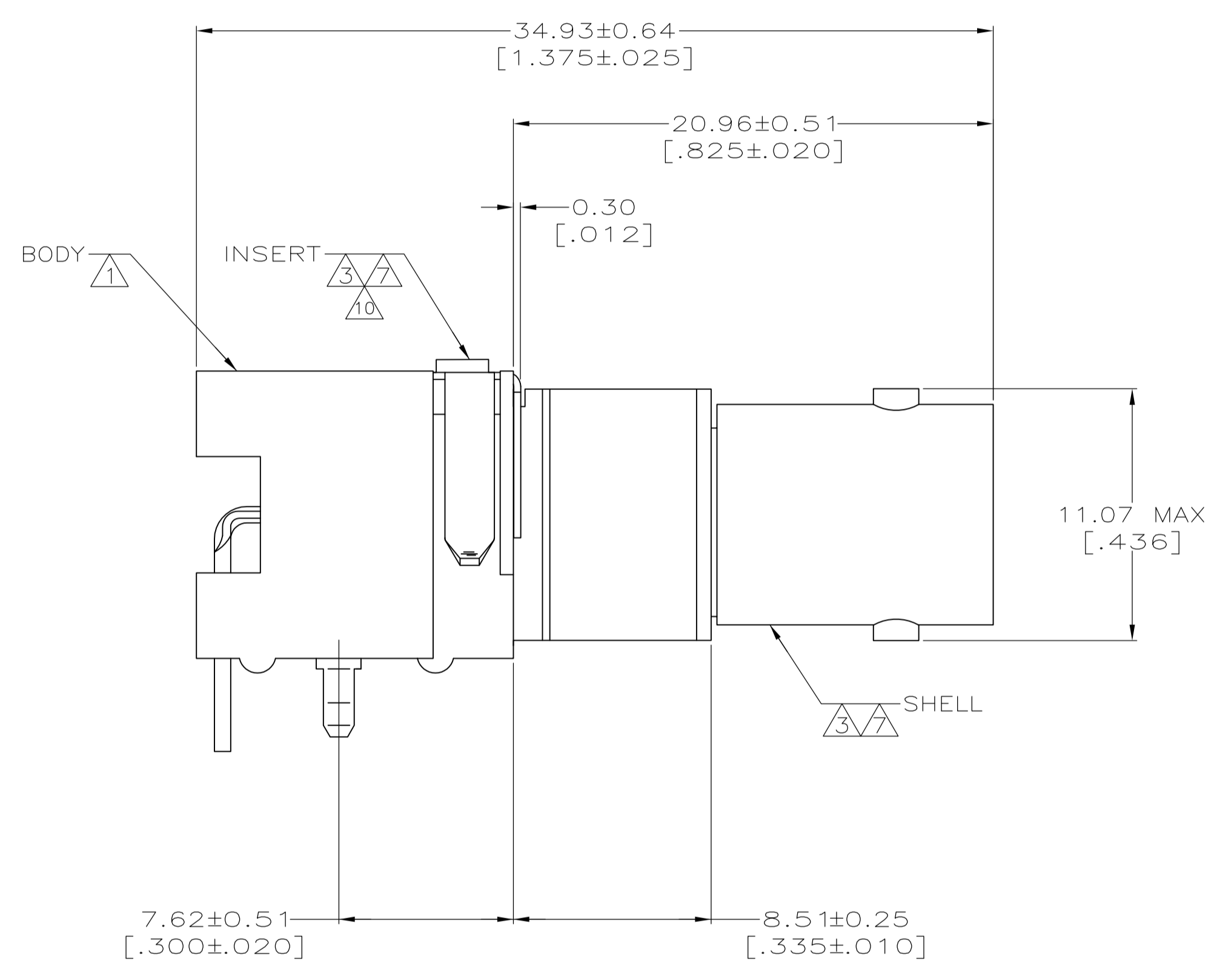
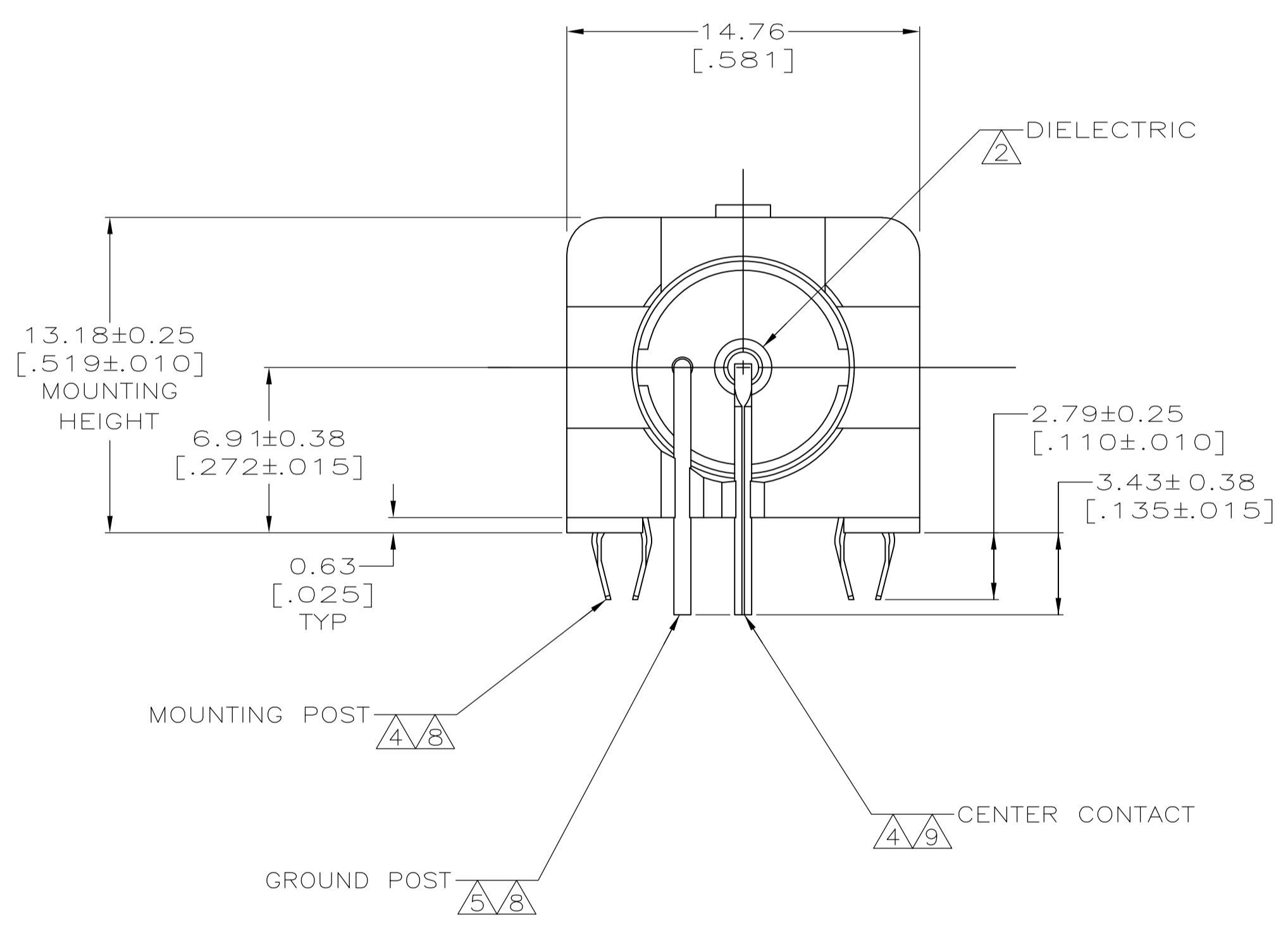
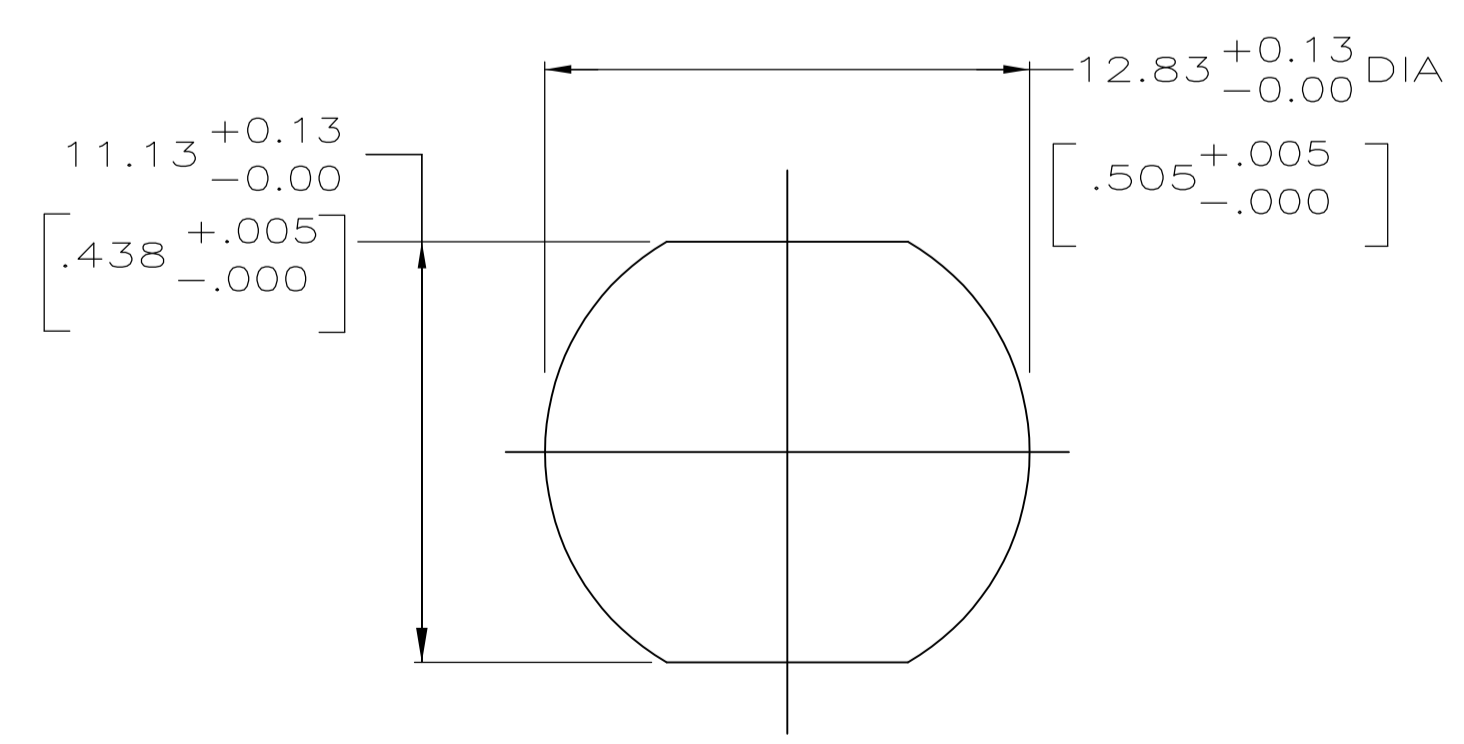


- 1 POLYESTER, PBT, BLACK, PER MIL-M-24519.
- 2 POLYMETHYLPENTENE GENERAL PURPOSE.
- 3 ZINC PER QQ-Z-363.
- 4 PHOSPHOR BRONZE PER QQ-B-750.
- 5 BRASS PER QQ-B-626.
- 6 BRASS PER ASTM-B-453.
- 7 NICKEL PL PER QQ-N-290.
- 8 TIN PLATE PER ASTM-B-545.
- 9 SELECTIVELY GOLD PLATED ON INTERFACE AREA PER ASTM-B-488, 0.76 [.000030] THICK, TIN PLATED ON SOLDER TAIL PER ASTM-B-545, ALL OVER NICKEL PLATE PER QQ-N-290.
- 10 ESD DEVICE, VOLTAGE BREAKDOWN <3.5KVDC.



PCB CONFIGURATION



RECOMMENDED PANEL CUTOUT

9400 pf, 1500 VDC	5415216-1
CAPACITANCE AND VOLTAGE	PART NO

THIS DRAWING IS A CONTROLLED DOCUMENT.		DIN G. ATTADIA - 22APR2005		STE TE Connectivity	
DIMENSIONS: mm [INCHES]		TOLERANCES UNLESS OTHERWISE SPECIFIED:		APVD J. HAVENER 22APR2005	
0 PLC ± -		1 PLC ± -		NAME	
2 PLC ± 0.20 [.008]		3 PLC ± -		PRODUCT SPEC	
4 PLC ± -		ANGLES ± -		APPLICATION SPEC	
MATERIAL SEE NOTES 1 - 6		FINISH SEE NOTES 7,8,9,10		SIZE CAGE CODE DRAWING NO	
				A1 00779 C=5415216	
		WEIGHT		RESTRICTED TO	
				CUSTOMER DRAWING	
		SCALE 5:1		SHEET 1 OF 1 REV B1	