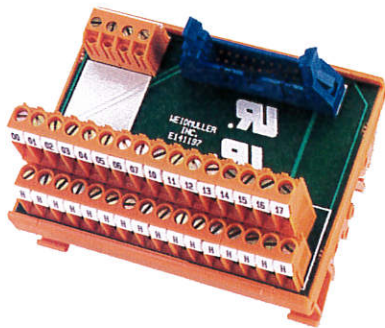
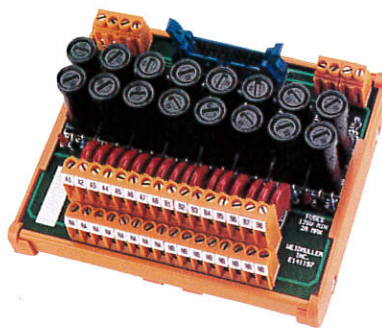


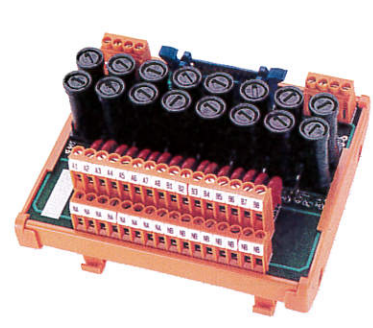
**Passive - 2 wire
16 Channel
Output
GE Fanuc**



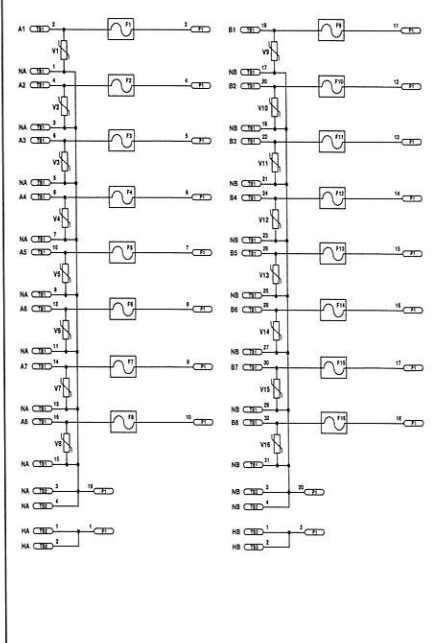
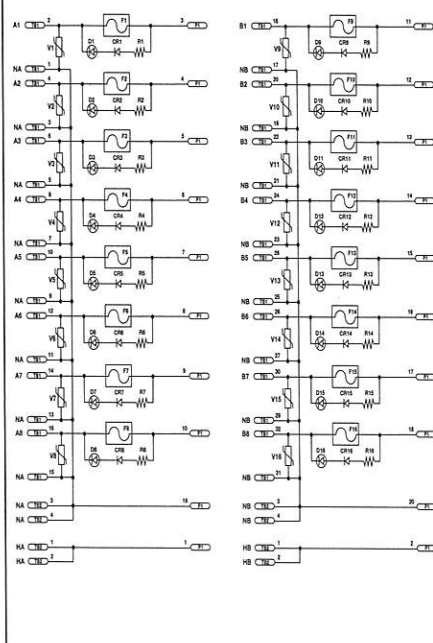
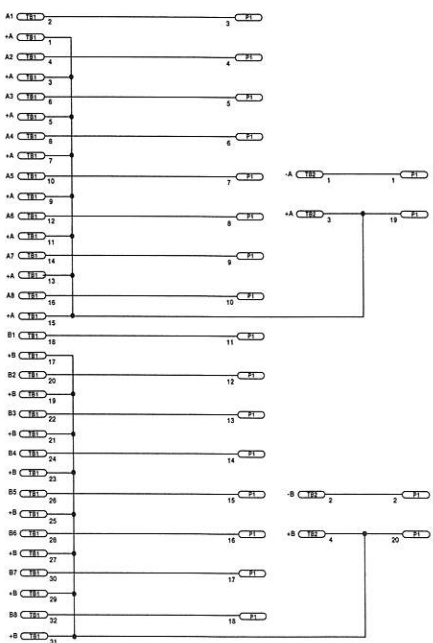
**Passive - 2 wire
16 Channel
Output Fused* w/LED and MOV
GE Fanuc**



**Passive - 2 wire
16 Channel
Output Fused* w/MOV
GE Fanuc**



| RS PLC GE9030 16PT 2x8 | | | RS PLC DO W/BFI & MOV | | RS PLC DO W/F & MOV | |
|---|---------|------------------|---|-------------|---|-------------|
| 998189 | 120 VAC | IC693MDL340 | 998001 | IC693MDL740 | 996572 | IC693MDL740 |
| 998064 | 24 VDC | IC693MDL740, 742 | | | | |
| 998069 | 24 VDC | IC693MDL741 | | | | |
| See Above | | | 24 VDC | | 24 VDC | |
| 3.0 A per channel / 3.0 A per group of 8 / 6.0 A per module | | | 1.5 A per channel / 3.0 A per group of 8 / 6.0 A per module | | 1.5 A per channel / 3.0 A per group of 8 / 6.0 A per module | |
| (1) 1 x 20 pin IDC | | | (1) 1 x 20 pin IDC | | (1) 1 x 20 pin IDC | |
| No | | | Yes | | No | |
| 0°C...+50°C | | | 0°C...+50°C | | 0°C...+50°C | |
| -20°C...+60°C | | | -20°C...+60°C | | -20°C...+60°C | |
| 90 x 70 x 56 | | | 123 x 109 x 61 | | 123 x 109 x 61 | |
| #26...14 AWG | | | #26...14 AWG | | #26...14 AWG | |
| Screw Clamp | | | Screw Clamp | | Screw Clamp | |
| | | | | | | |



*5 x 20 mm fuses are required.
Note: Markings vary based on I/O used.