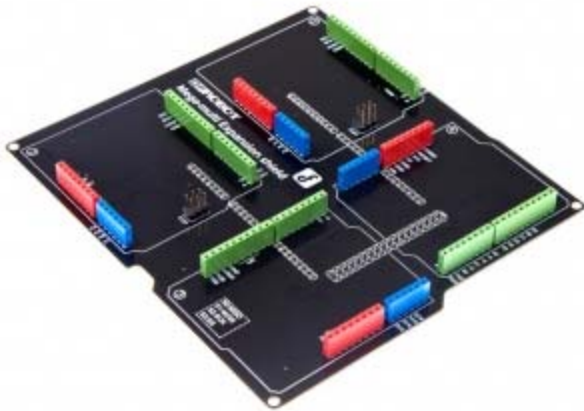




Mega Multi-Expansion shield SKU:DFR0256



Contents

- [1 Introduction](#)
- [2 Specification](#)
- [3 Pinout](#)
- [4 Application](#)

Introduction

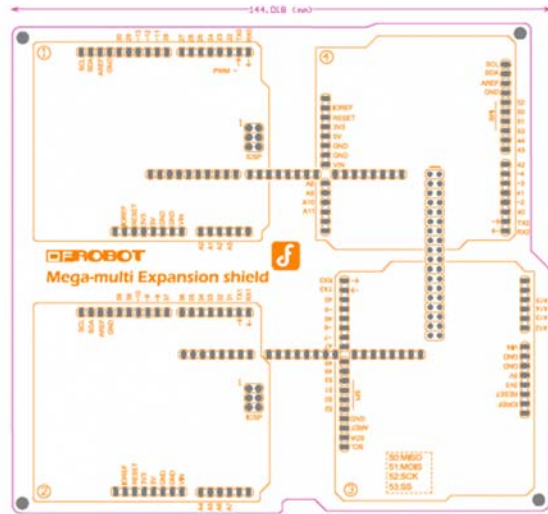
Bothered with the conflict of I/O pins when using shields with the Mega board during a project? Find it hard to take good advantage of the mega I/O pins? Try the Mega I/O multi-expansion shield to help solving the problem.

Mega I/O multi-expansion shield means that you can plug 4 different shields at same time. All I/O pins of the Mega board are expanded so that you can plug 4 shields at most, and worry not any more about the I/O conflict. Whatsmore, it makes your project clean & tidy with the cables be arranged in order . Expand your project idea with Mega I/O multi-expansion shield

Specification

- Compatible with Mega1280/2560/ADK
- Support 4 shields
- Size:14.4x13cm

Pinout

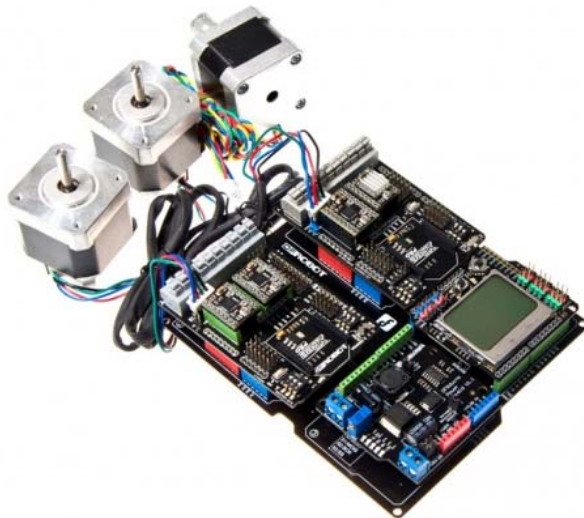


Pinout

Application

Here is some example for reference
A drafting instrument or a 3D printer

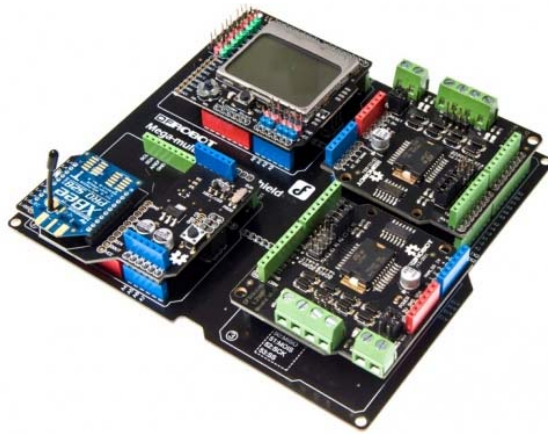
1. [A mega board \(1280/2560/ADK\)](#)
2. [Dual Bipolar Stepper Motor Shield for Arduino \(A4988\)](#)
3. [LCD12864 Shield for Arduino](#)
4. [A Power Shield \(Arduino Compatible\)](#)
5. [A mega multi-expansion shield](#)



A drafting instrument or a 3D printer

A 4WD robotic platform

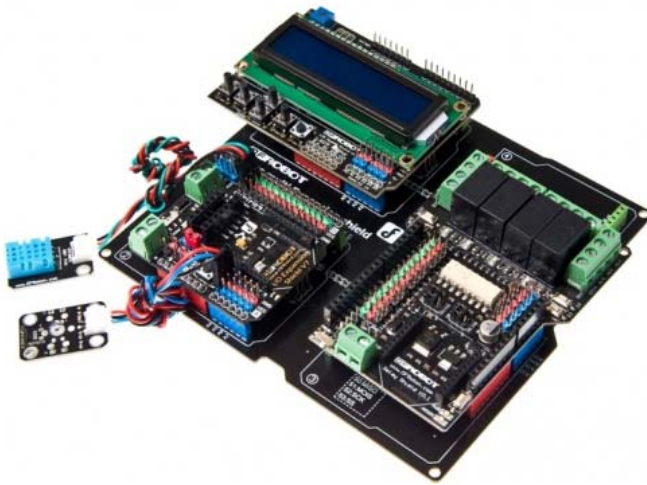
1. A mega board (1280/2560/ADK)
2. 2A Motor Shield For Arduino x2
3. A Graphic LCD4884 Shield For Arduino
4. A Xbee Shield For Arduino
5. A mega multi-expansion shield



A 4WD robotic platform

A simple smart home care robot

1. A mega board (1280/2560/ADK)
2. A LCD Keypad Shield For Arduino
3. DFRduino Ethernet Shield (Support Mega and Micro SD)
4. A Relay Shield for Arduino
5. A mega multi-expansion shield
6. A light sensor and a humidity & temperature sensor



A simple smart home care robot