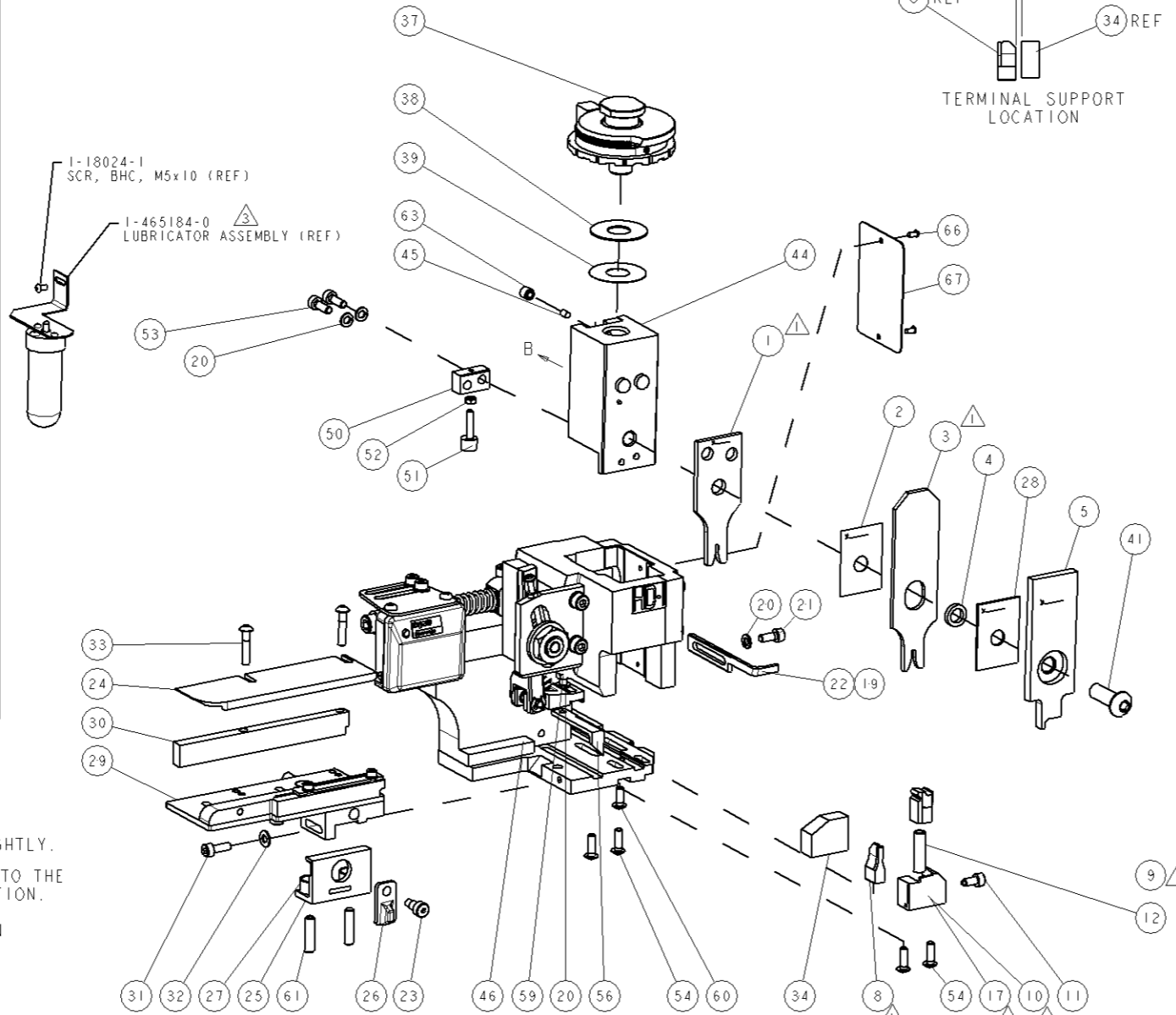
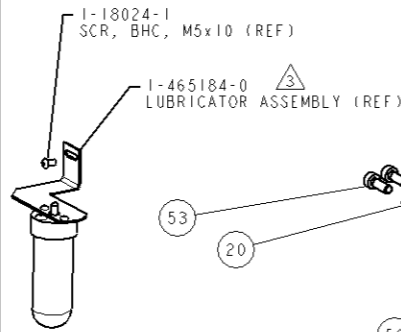
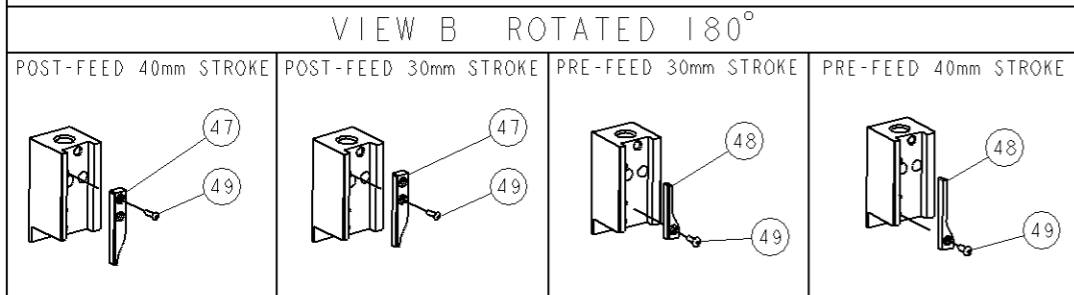


PART NUMBER	REV	TERMINATOR	FEED TYPE	DESCRIPTION
1530019-1	A	LEADMAKER	MECH POST FEED	CUTS CARRIER
1530019-2	A	BENCH	MECH PRE FEED	CUTS CARRIER
1530019-6	A	LEADMAKER	MECH POST FEED	CONTINUOUS CARRIER
7-1530019-1	A	LEADMAKER	MECH POST FEED	-1 AND SPARE PARTS
7-1530019-2	A	BENCH	MECH PRE FEED	-2 AND SPARE PARTS
7-1530019-6	A	LEADMAKER	MECH POST FEED	-6 AND SPARE PARTS
7-1530019-7	A	-	-	SPARE PARTS KIT

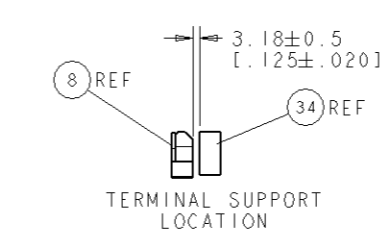
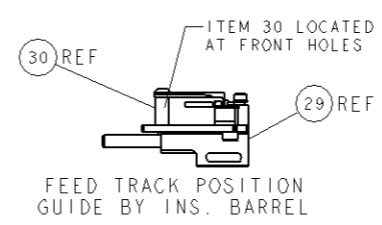
CRIMP DATA		TE TERMINAL	TE CRIMP SPECS
TERMINAL NAME: PIN, .060 DIA, AUTOMOTIVE			
CRIMP	SIZE	TYPE	RANGE
WIRE	1.57 [.062 IN]	F	18 - 22 AWG
INSUL	2.79 [.110 IN]	F	2.794 [.110 IN] MAX
WIRE STRIP LENGTH 3.9-4.7 [.154-.185 IN]		APPL INSTRUCTIONS 408-8322 & 408-8490	
TERMINAL APPL SPEC		114-3118	FEED 9.14 [.360 IN]
TERMINALS APPLIED			
PIN	SOCKET		
61062	61064	-	-
61366	170087	-	-
770381	-	-	-
WIRE SIZE	CRIMP HEIGHT	REF SETTING	
18 AWG	1.07 ± 0.05 [.042 ± .002 IN]	B2	
20 AWG	.91 ± 0.05 [.036 ± .002 IN]	C3	
22 AWG	.84 ± 0.05 [.033 ± .002 IN]	C8	



\* WARNING  
ON INSTALLATION, SET WIRE DISC TO LARGEST WIRE SIZE SETTING. USE OF SETTINGS BELOW MIN. REQUIRED CRIMP HEIGHT SETTING WILL CAUSE DAMAGE TO CRIMP TOOLING.



ITEM NO	DESCRIPTION	ITEM NO	DESCRIPTION
84		84	
83		83	
82		82	
81		81	
80		80	
79		79	
78		78	
77		77	
76		76	
75		75	
74		74	
73		73	
72		72	
71		71	
70		70	
69		69	
68		68	
67		67	
66		66	
65		65	
64		64	
63		63	
62		62	
61		61	
60		60	
59		59	
58		58	
57		57	
56		56	
55		55	
54		54	
53		53	
52		52	
51		51	
50		50	
49		49	
48		48	
47		47	
46		46	
45		45	
44		44	
43		43	
42		42	
41		41	
40		40	
39		39	
38		38	
37		37	
36		36	
35		35	
34		34	
33		33	
32		32	
31		31	
30		30	
29		29	
28		28	
27		27	
26		26	
25		25	
24		24	
23		23	
22		22	
21		21	
20		20	
19		19	
18		18	
17		17	
16		16	
15		15	
14		14	
13		13	
12		12	
11		11	
10		10	
9		9	
8		8	
7		7	
6		6	
5		5	
4		4	
3		3	
2		2	
1		1	



SET UP GAGE  
458637-3

REVISIONS				
REV	DATE	BY	CHKD	APPD
A	07062008	DM	DM	
A2	24FEB2009	SZ	SX	

-	-	-	-	-	-	-	-	-	-	73
-	-	-	-	-	-	-	-	-	-	72
-	1	1	1	1	1	1	1338705-3	DOCUMENTATION PACKAGE		71
-	-	-	-	-	-	-	-	-	-	70
-	-	-	-	-	-	-	-	-	-	69
-	-	-	-	-	-	-	-	-	-	68
-	1	1	1	1	1	1	461264-5	PLATE, IDENTIFICATION		67
-	2	2	2	2	2	2	21017-2	SCREW, DRIVE		66
-	-	-	-	-	-	-	-	-	-	65
-	1	1	1	1	1	1	3-18031-0	SCR. SET, CUP POINT M6 X 6.0		64
-	-	-	-	-	-	-	-	-	-	63
-	2	2	2	2	2	2	2-18032-5	SCR. SET, FLT POINT M5 X 20.0		62
-	1	1	1	1	1	1	18024-7	SCR. BTN SKT HD CAP (M4 X 10.0)		61
-	1	1	1	1	1	1	5-18022-2	SCR. HEX HD CAP M4 X 8.0		60
-	-	-	-	-	-	-	-	-	-	59
-	-	-	-	-	-	-	-	-	-	58
-	-	-	-	-	-	-	-	-	-	57
-	1	1	1	1	1	1	1338685-1	PAWL, FEED		56
-	-	-	-	-	-	-	-	-	-	55
-	4	4	4	4	4	4	18024-8	SCR. BTN SKT HD CAP (M4 X 12.0)		54
-	2	2	2	2	2	2	1-18023-2	SCR. SKT HD CAP M4 X 12.0		53
-	1	1	1	1	1	1	18030-1	NUT, HEX, REG M3		52
-	1	1	1	1	1	1	811242-5	BUMPER, HOLD DOWN		51
-	1	1	1	1	1	1	690753-2	SPACER, TONKER		50
-	1	1	1	1	1	1	18024-3	SCR. BTN SKT HD CAP (M3 X 10.0)		49
-	-	-	-	-	-	-	1338675-1	CAM, UNIVERSAL PRE FEED		48
-	1	-	1	1	-	1	1338676-1	CAM, UNIVERSAL POST-FEED		47
-	1	1	1	1	1	1	1320999-3	APPLICATOR SUBASSEMBLY, HDI		46
-	1	1	1	1	1	1	690191-1	PLUG, NYLON		45
-	1	1	1	1	1	1	1338660-1	RAM		44
-	-	-	-	-	-	-	-	-	-	43
-	-	-	-	-	-	-	-	-	-	42
-	1	1	1	1	1	1	2-18024-6	SCR. BTN SKT HD CAP (M8 X 25.0)		41
-	-	-	-	-	-	-	-	-	-	40
-	1	1	1	1	1	1	690125-1	SHIM SUB-ASSY		39
-	1	1	1	1	1	1	469367-8	SHIM		38
-	1	1	1	1	1	1	879103-3	FINE ADJUST HEAD ASSEMBLY		37
-	-	-	-	-	-	-	-	-	-	36
-	-	-	-	-	-	-	-	-	-	35
-	1	1	1	1	1	1	1320934-1	SUPPORT, TERMINAL		34
-	2	2	2	2	2	2	1-18024-0	SCR. BTN SKT HD CAP (M4 X 20.0)		33
-	1	1	1	1	1	1	18027-2	WASHER, FLAT, REG M4		32
-	1	1	1	1	1	1	1-18023-2	SCR. SKT HD CAP M4 X 12.0		31
-	1	1	1	1	1	1	1320908-1	SPACER, STRIP GUIDE		30
-	1	1	1	1	1	1	1633073-1	STRIP GUIDE ASSEMBLY		29
-	1	1	1	1	1	1	1-455888-0	SPACER, CRIMPER		28
-	2	2	2	2	2	2	1-22284-0	SPRING, COMPRESSION		27
-	1	1	1	1	1	1	356835-1	LEVER, DRAG RELEASE		26
-	1	1	1	1	1	1	240792-1	DRAG, TERMINAL		25
-	1	1	1	1	1	1	1320928-1	PLATE, STRIP GUIDE		24
-	1	1	1	1	1	1	980371-4	SCR. SKT HD SHLDR 5.0 DIA X 6.0		23
-	1	-	1	1	-	1	690472-2	STRIPPER		22
-	1	1	1	1	1	1	1-18023-1	SCR. SKT HD CAP M4 X 10.0		21
-	4	4	4	4	4	4	18025-2	WASHER, SPRG LOCK, REG M4		20
-	-	-	-	-	-	-	690472-1	STRIPPER		19
-	-	-	-	-	-	-	-	-	-	18
-	1	-	-	1	-	-	1338684-1	SHEAR HOLDER, FRONT		17
-	-	-	-	-	-	-	-	-	-	16
-	-	-	-	-	-	-	-	-	-	15
-	-	-	-	-	-	-	-	-	-	14
-	-	-	-	-	-	-	-	-	-	13
-	1	1	1	1	1	1	3-22280-3	SPRING, COMPRESSION		12
-	1	1	1	1	1	1	356885-4	STOP, SHEAR		11
-	-	1	1	-	1	1	1320921-1	SHEAR HOLDER, FRONT, CUT		10
-	1	1	1	1	1	1	462006-1	FLOATING SHEAR, FRONT		9
-	1	2	2	2	1	1	1633129-1	ANVIL, COMBINATION .062		8
-	-	-	-	-	-	-	-	-	-	7
-	-	-	-	-	-	-	-	-	-	6
-	1	1	1	1	1	1	2-455889-0	DEPRESSOR, SHEAR		5
-	1	1	1	1	1	1	238011-4	BLOCK, CRIMPER SPACER		4
-	1	2	2	2	1	1	6-456134-5	CRIMPER, INSULATION F PREMIUM		3
-	1	1	1	1	1	1	455888-1	SPACER, CRIMPER		2
-	1	2	2	2	1	1	1-456403-5	CRIMPER, WIRE PREMIUM		1

ITEM NO	DESCRIPTION	ITEM NO
-77		-77
-76		-76
-72		-72
-71		-71
-6		-6
-2		-2
-1		-1
	PART NO	
	DESCRIPTION	