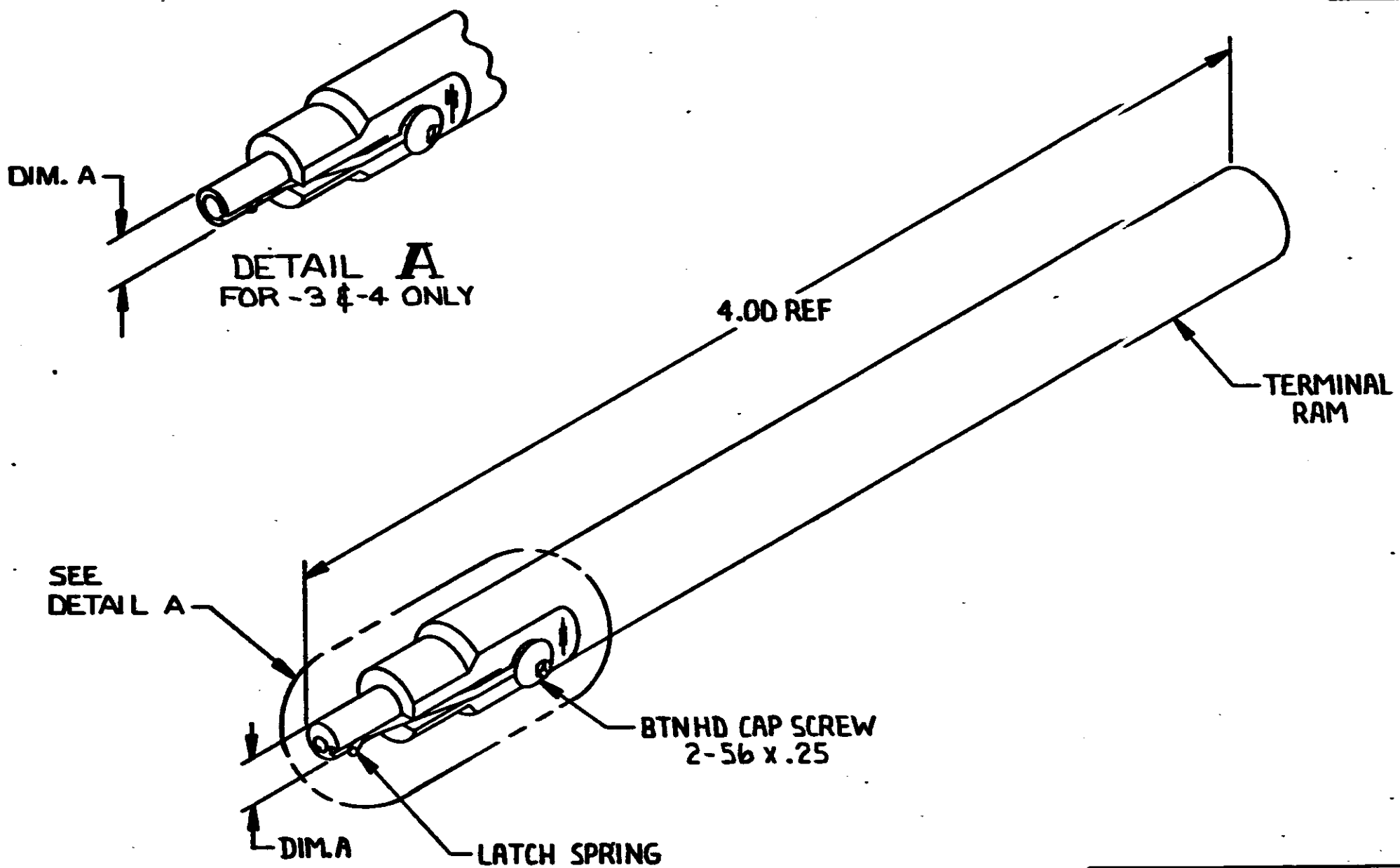


© COPYRIGHT 1978 BY AMP INCORPORATED, HARRISBURG, PA.
 ALL INTERNATIONAL RIGHTS RESERVED. AMP INCORPORATED PRODUCTS
 COVERED BY U. S. AND FOREIGN PATENTS AND/OR PATENTS PENDING.

REVISIONS						
P	F	ZONE	LTR	DESCRIPTION	DATE	APPROVED
0			0	RELEASED	8-11-78	oh REC
A			A	REV PER ECN S-1259	11/13/78	SS RR
B	✓		B	REV PER ECN AA-945	4/25/81	GB mt



- 1 MATERIAL: TERMINAL RAM-TDOL STL
LATCH SPRING-STL MUSIC WIRE
SCREW-ALY STL
- 2 FINISH: ALL PARTS BLK OXIDE

.090	.170	230553-4
.070	.125	230553-3
.156	.120	230553-2
.125	.093	230553-1
TERMINAL SIZE	DIM. A	PART NO

UNLESS OTHERWISE SPECIFIED DIMENSIONS ARE IN INCHES. TOLERANCES ON: DECIMALS ± .01 ANGLES ± .1°	CONTRACT NO	AMP INCORPORATED Harrisburg, Pa.		
	DR <i>Amy Holt</i> 8-14-78			NAME
	CHK <i>RE Rauch</i> 8-15-78	ASSEMBLY, RAM		
	APPD <i>R. Sooy</i> 9-27-78	SIZE	CODE IDENT NO	DRAWING NO
MATERIAL	APPD <i>C. Pa</i> 4-27-81	B	00779	230553
FINISH	DSGN APPD	SCALE	2/1	SHEET 1 OF 1
	OTHER APPD	CUSTOMER DRAWING		