
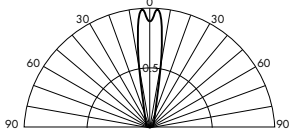

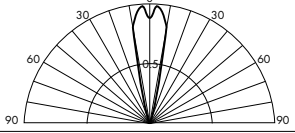

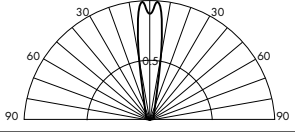

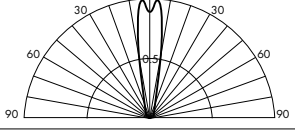

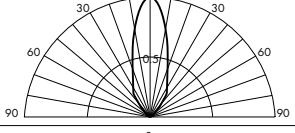

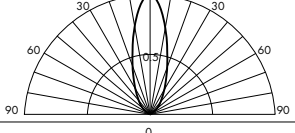

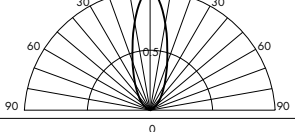

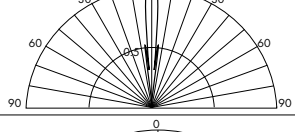

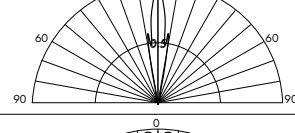

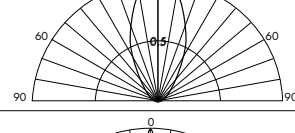

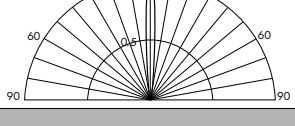


THROUGH-HOLE SHAPE - INFRARED LED

Infrared LED

Ta= 25°C

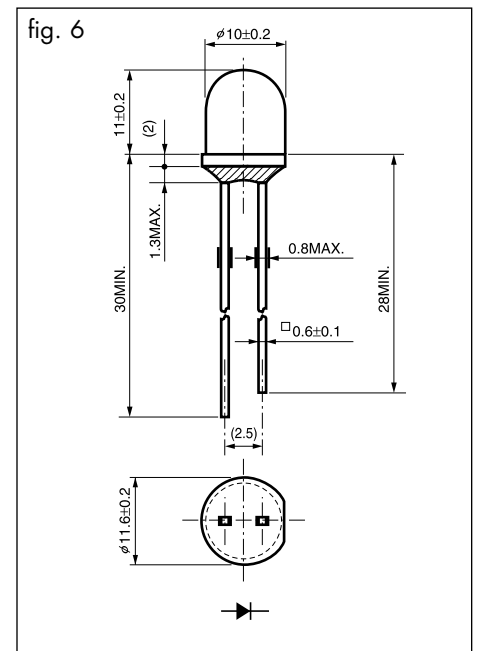
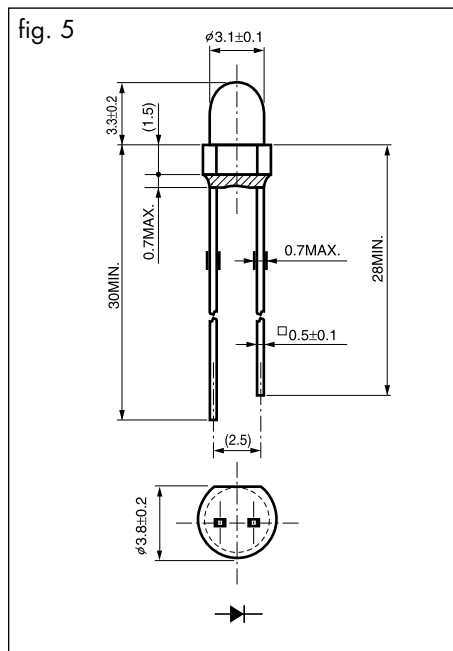
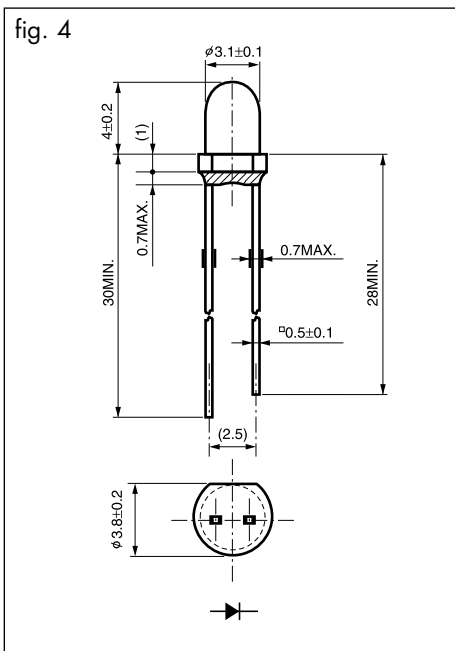
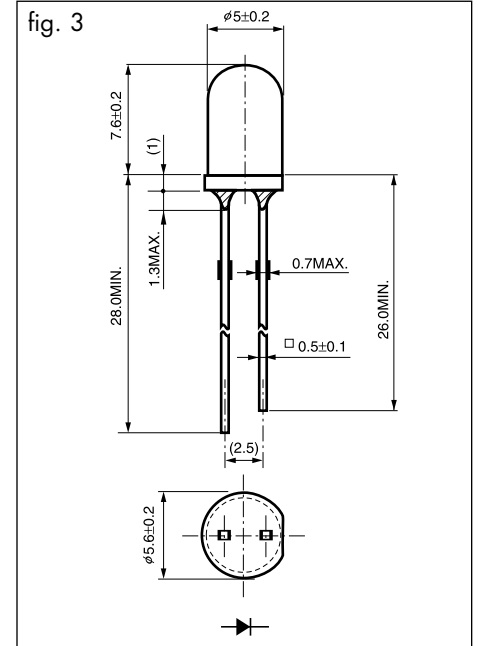
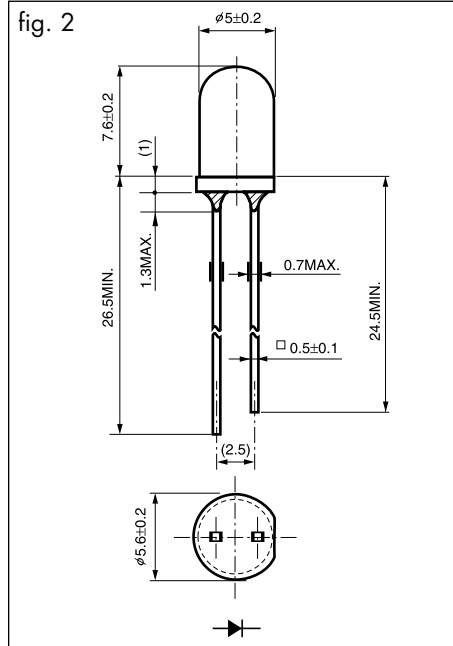
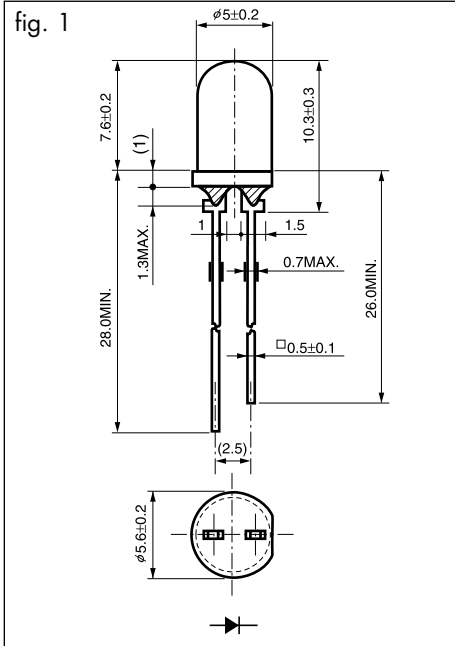
Shape	Part No.	Features	Peak Wavelength P		Radiant Intensity I _E			Output Power P _O		Cut-Off Frequency F _c			Spatial Distribution (The typical distribution example of each shape is shown below)	fig.
			TYP.	I _F	MIN.	TYP.	I _F	TYP.	I _F	MIN.	TYP.	I _F		
	DNH318U	Hi-speed 100MHz 5 package	850	50	10	20	50	5	50	70	100	50		1
	DNK318U	Hi-speed Hi-power output 5 package	870	50	40	80	50	20	50	40	55	50		1
	DNF318U-4	Hi-speed 5 package	850	50	30	60	50	13	50	20	30	50		1
	DNP318U-4	Hi-output 5 package	880	50	30	60	50	13	50	—	12	50		1
	DNK324U	Hi-speed Hi-power output Wide distribution 5 package	870	50	15	30	50	22	50	40	55	50		2
	DNF324U-4	Hi-speed Wide distribution 5 package	850	50	15	30	50	13	50	20	30	50		2
	DNP324U-8	Hi-output Wide distribution 5 package	880	50	21	35	50	18	50	—	12	50		2
	DNP325-4	Hi-radiant intensity Narrow distribution 5 package	880	50	40	80	50	13	50	—	12	50		3
	DNP319	3 package	880	50	20	40	50	14	50	—	12	50		4
	DNP331	Wide distribution 3 package	880	50	10.5	21	50	16	50	—	12	50		5
	DNF320-4	Hi-radiant intensity Narrow distribution 10 package	850	50	100	200	50	13	50	20	30	50		6
Unit			nm	mA	mW/sr	mA	mW	mA	MHz	mA				

All above products contain no lead
* Lead-free soldering compatible product

THROUGH-HOLE SHAPE - INFRARED LED

Package Dimensions


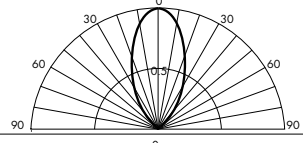

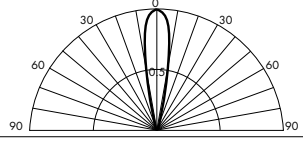

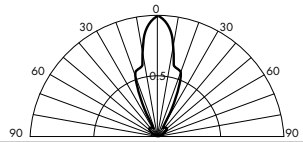

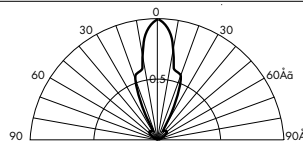

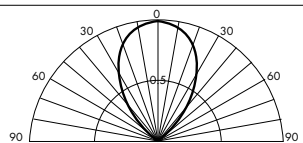

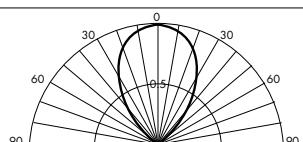
unit: mm



THROUGH-HOLE SHAPE - INFRARED LED

Infrared LED

Ta= 25°C

Shape	Part No.	Features	Peak Wavelength P		Radiant Intensity I _E			Output Power P _O		Cut-Off Frequency F _c			Spatial Distribution (The typical distribution example of each shape is shown below)	fig.
			TYP.	I _F	MIN.	TYP.	I _F	TYP.	I _F	MIN.	TYP.	I _F		
	AN304	5 package	950	50	6	15	50	9	50	—	0.5	50		1
	AN333	3 package	950	50	5	10	50	5	50	—	0.5	50		2
	AN501	Double-end package	950	50	3	5	50	6	50	—	0.5	50		3
	DN501	Double-end package	850	50	5.2	10.4	50	10	50	—	30	50		3
	AN504	Side-view package	950	50	1.5	3.0	50	5	50	—	0.5	50		4
	DN504	Side-view package	850	50	4	8	50	12	50	—	30	50		4
Unit			nm	mA	mW/sr	mA	mW	mA	MHz	mA				

All above products contain no lead

* Lead-free soldering compatible product

THROUGH-HOLE SHAPE - INFRARED LED

Package Dimensions

unit: mm

