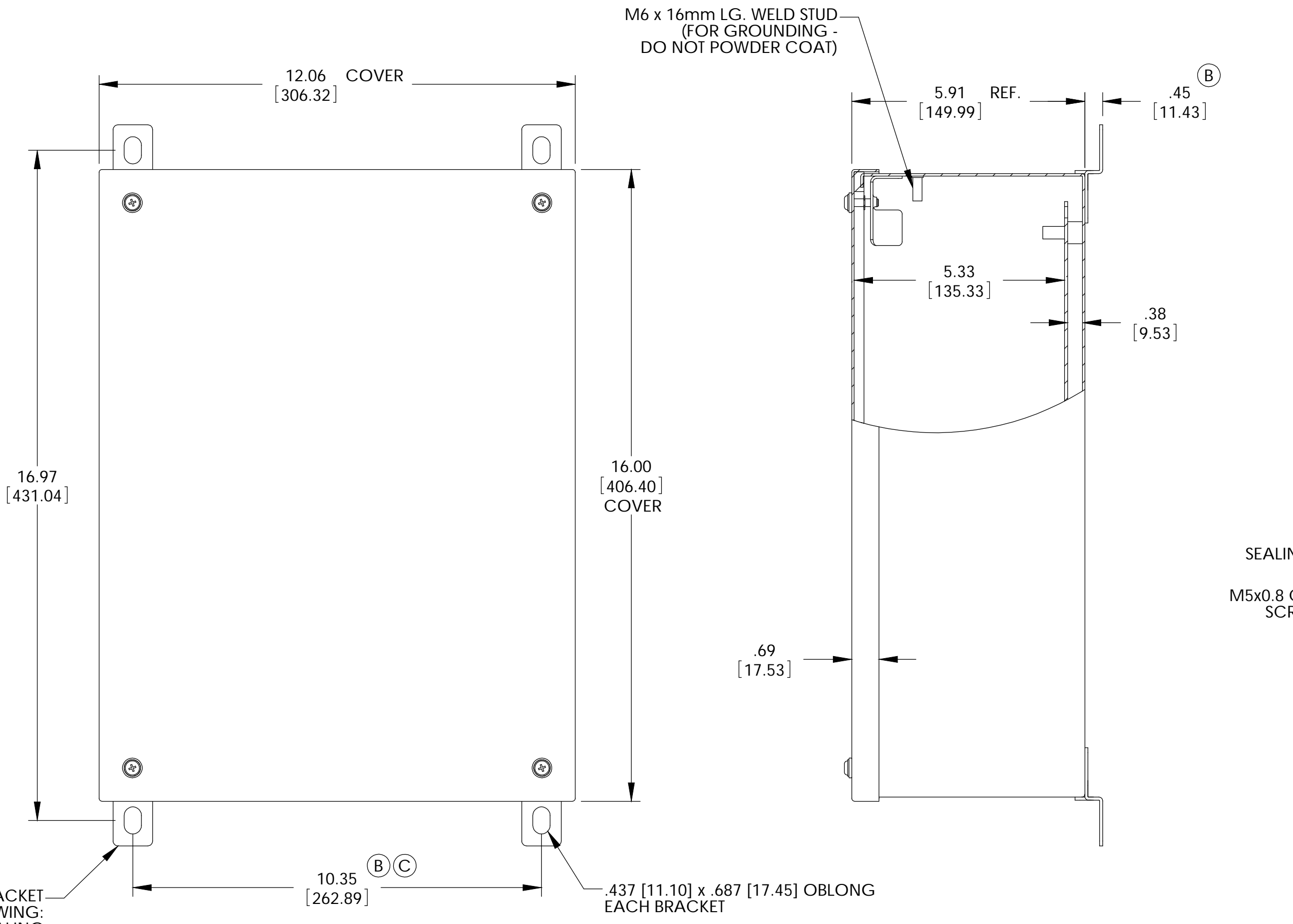


THE INFORMATION CONTAINED IN THIS DRAWING IS THE SOLE PROPERTY OF BUD INDUSTRIES INC. ANY REPRODUCTION IN PART OR WHOLE WITHOUT THE WRITTEN PERMISSION OF BUD INDUSTRIES INC. IS PROHIBITED.

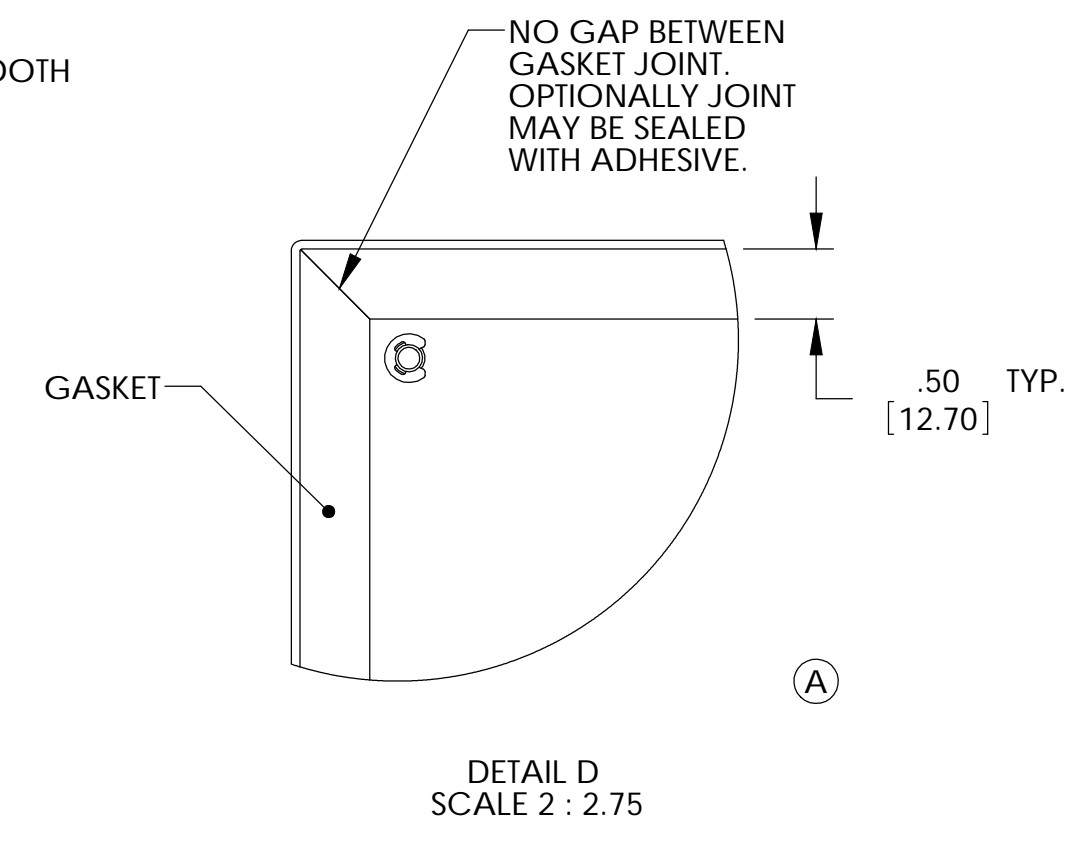
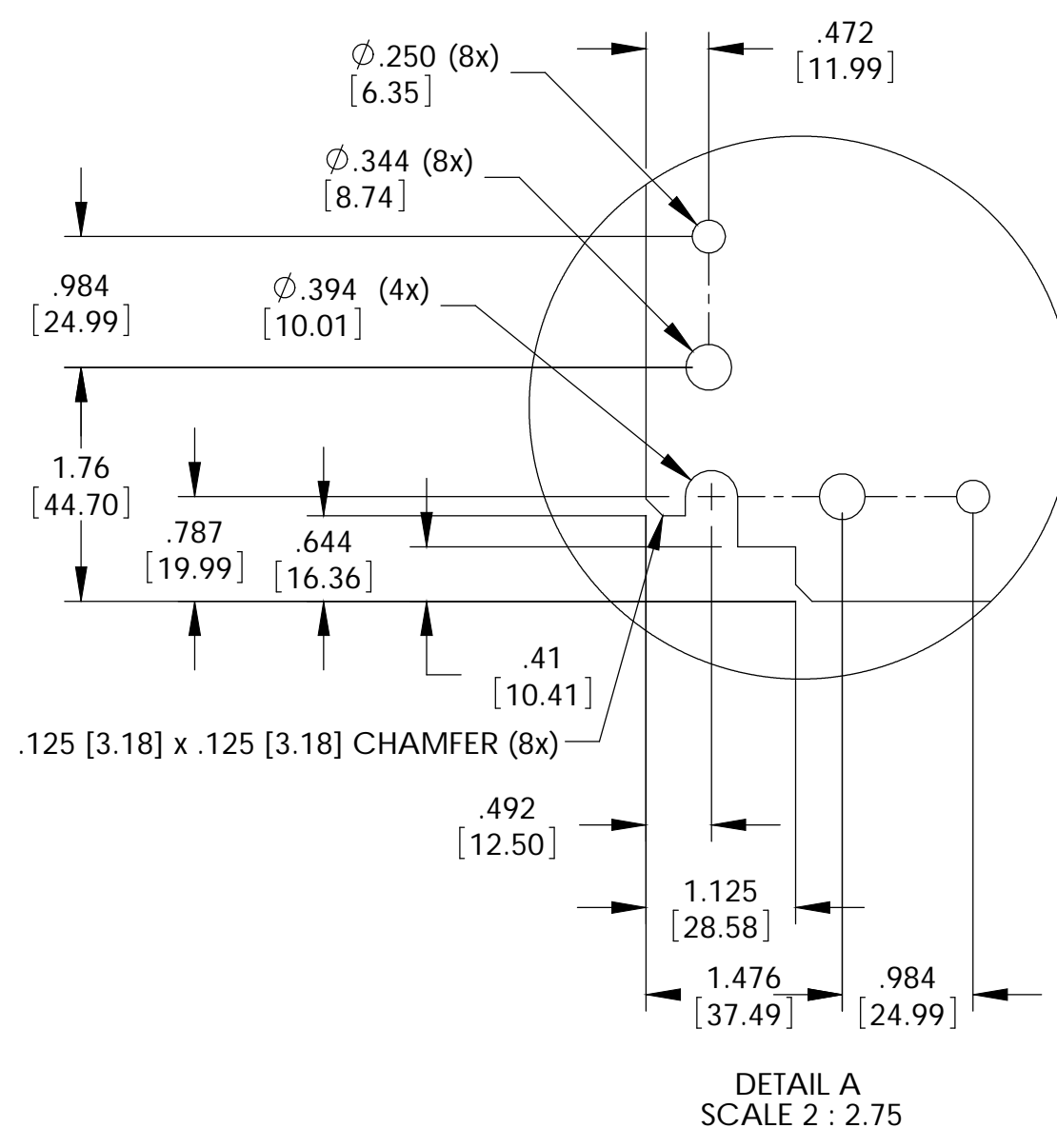
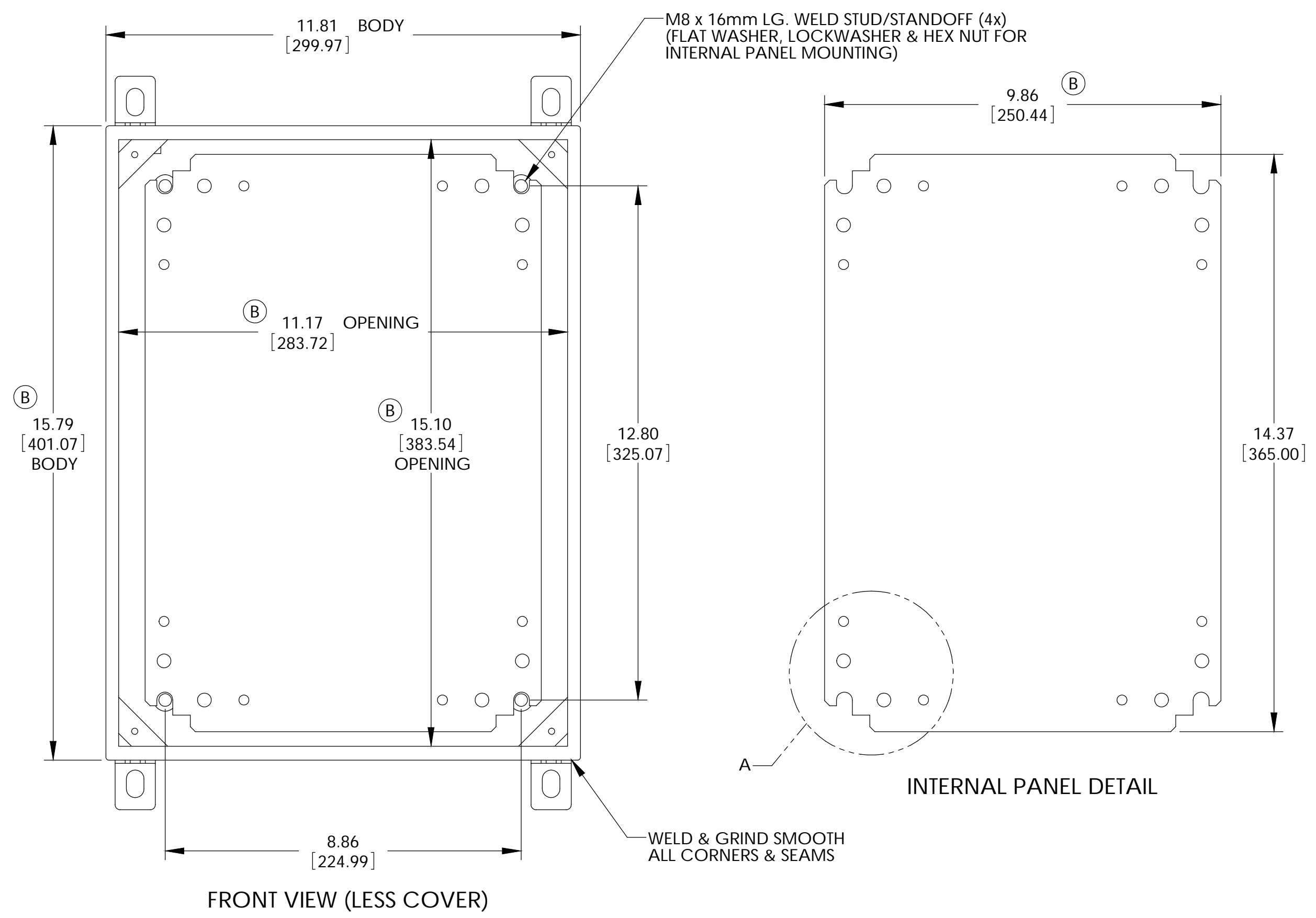
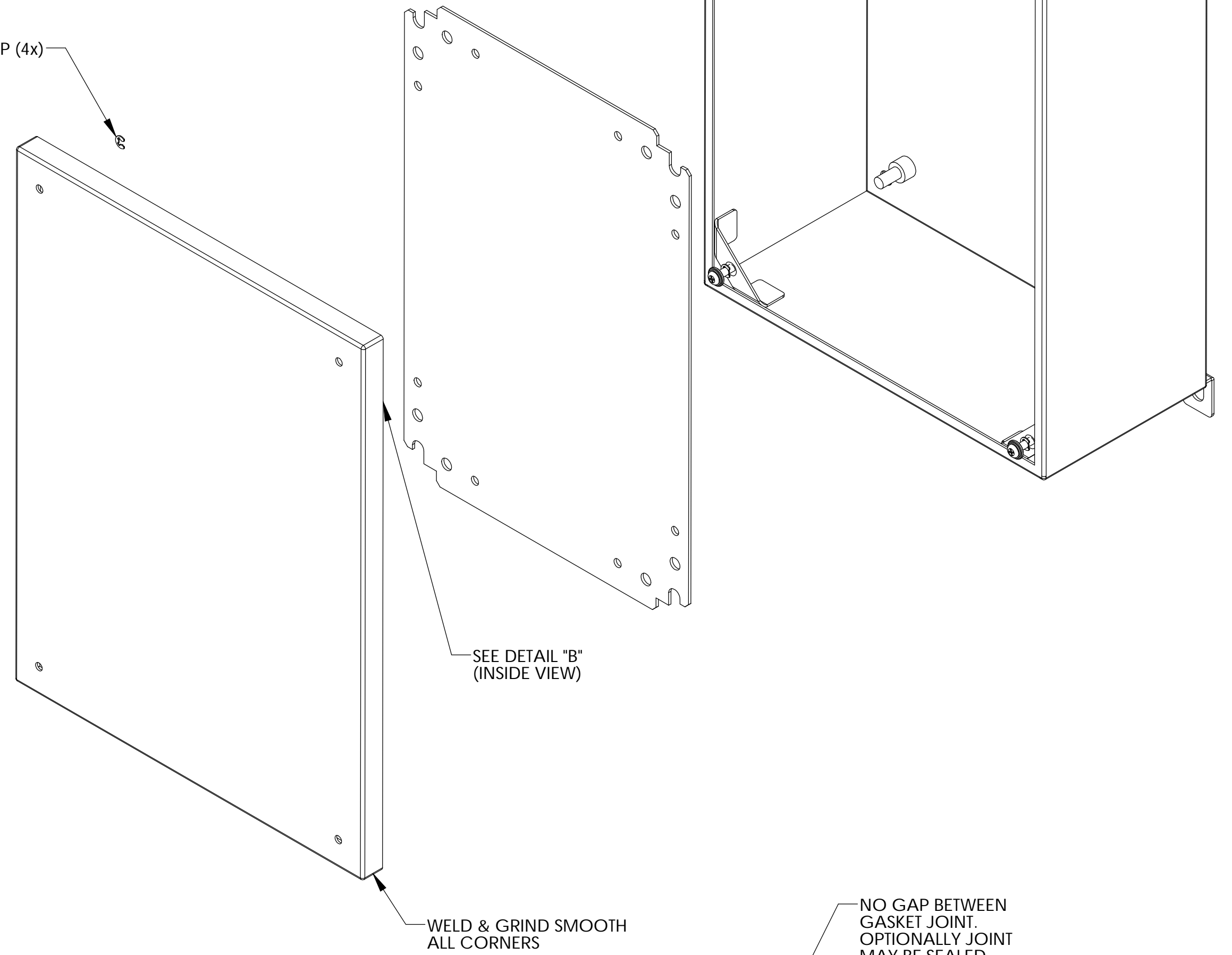
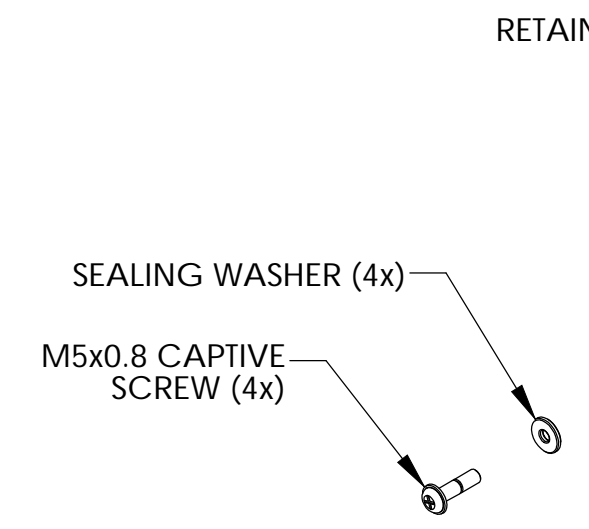
ISSUE		REVISIONS
(A)	REVISED DESIGN	6-30-08 DAB
(B)	PER ECN #10404	12-4-08 DAB
(C)	PER ECN #10446	1-13-09 BT



MATERIAL:
 BODY, COVER MOUNTING BRACKETS, COVER - 16 GA. [1.5mm] C.R.S.
 INTERNAL PANEL - 14 GA. [2.0mm] C.R.S.
 WALL MOUNTING BRACKETS - 14 GA. [2.0mm] STAINLESS STEEL
 HARDWARE - STAINLESS STEEL
 GASKET - .25 [6.35] THICK NEOPRENE (BLACK) OR EQUIVALENT
 SEALING WASHERS - BLACK NEOPRENE OR EQUIVALENT

FINISH:
 BODY & COVER - LIGHT GRAY SMOOTH POWDER COAT
 INTERNAL PANEL - ZINC CHROMATE
 WALL MOUNTING BRACKETS - NATURAL

WALL MOUNTING BRACKET KIT TO CONTAIN THE FOLLOWING:
 (4) BRACKETS, (4) BOLTS, (4) SEALING WASHERS, (4) FLAT WASHERS, (4) LOCKWASHERS & (4) HEX NUTS



PARTS LIST		BUD INDUSTRIES INC.	
UNLESS OTHERWISE SPECIFIED ALL DIMENSIONS ARE IN INCHES (MILLIMETERS)	CAD GENERATED DRAWING DO NOT MANUALLY UPDATE	DATE	5-5-08
TOLERANCES: DECIMALS: .015 FRACTIONS: 1/32	APPROVALS: DAB	DATE	5-5-08
MATERIAL: AS NOTED	CHECKED: DAB	DATE	5-5-08
FINISH: AS NOTED	APPROVED:	DATE:	
DO NOT SCALE DRAWING	SCALE: D	SIZE [DWG. NO.]	SNC-3755
QTY.	USED ON	SCALE: [CAD FILE]	SHEET 1 OF 1