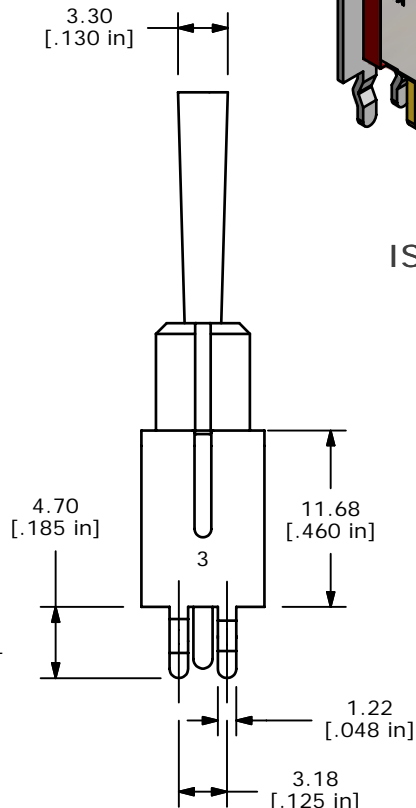
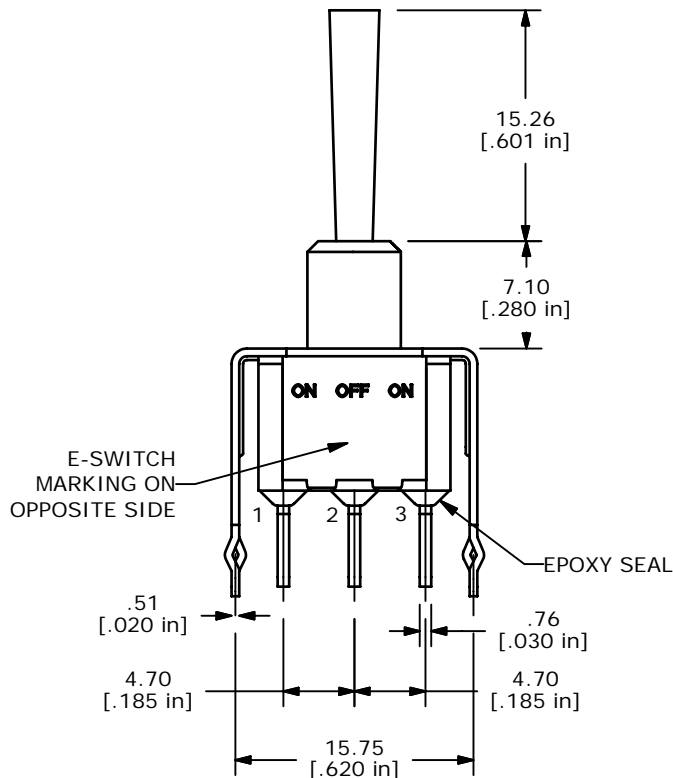
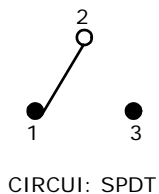


SWITCH FUNCTION		
POS. 1	POS. 1	POS. 1
ON	OFF	ON
2-3	OPEN	2-1



NOTE:

1. ALL DIMENSIONS IN MM [INCH]
2. GENERAL TOLERANCE: X.X=±0.4
X.XX=±0.25
3. TERMINAL NUMBERS FOR REF ONLY
- ▲ 4. PLATING MATERIAL: GOLD
5. RATING: 0.4VA MAX @ 20VAC OR DC
6. ELECTRIC LIFE: 40,000 make-and-break cycles at full load.
7. INSULATION RESISTANCE: 1,000 Mega-ohm min.
8. DIELECTRIC STRENGTH: 1,000 V RMS @sea level.
9. OPERATING TEMP.: -30°C to 85°C
10. ▲ DENOTES CRITICAL PARAMETER.
11. 2002/95/EC (ROHS) COMPLIANT

E-SWITCH®

B	15848	EDIT DESCRIPTION TO GOLD	3/7/06	PH
A	15651	RELEASED FOR PRODUCTION	1/6/06	PH
REV	PCR NO	DESCRIPTION	DATE	BY

TITLE 100SP3T3B4VS21RE				
SCALE 2:1	DATE 1/6/2006	DR PH	DWG T113035	REV B

THE INFORMATION CONTAINED IN THIS DOCUMENT IS PROPRIETARY TO E-SWITCH AND IS NOT TO BE COPIED OR TRANSFERRED