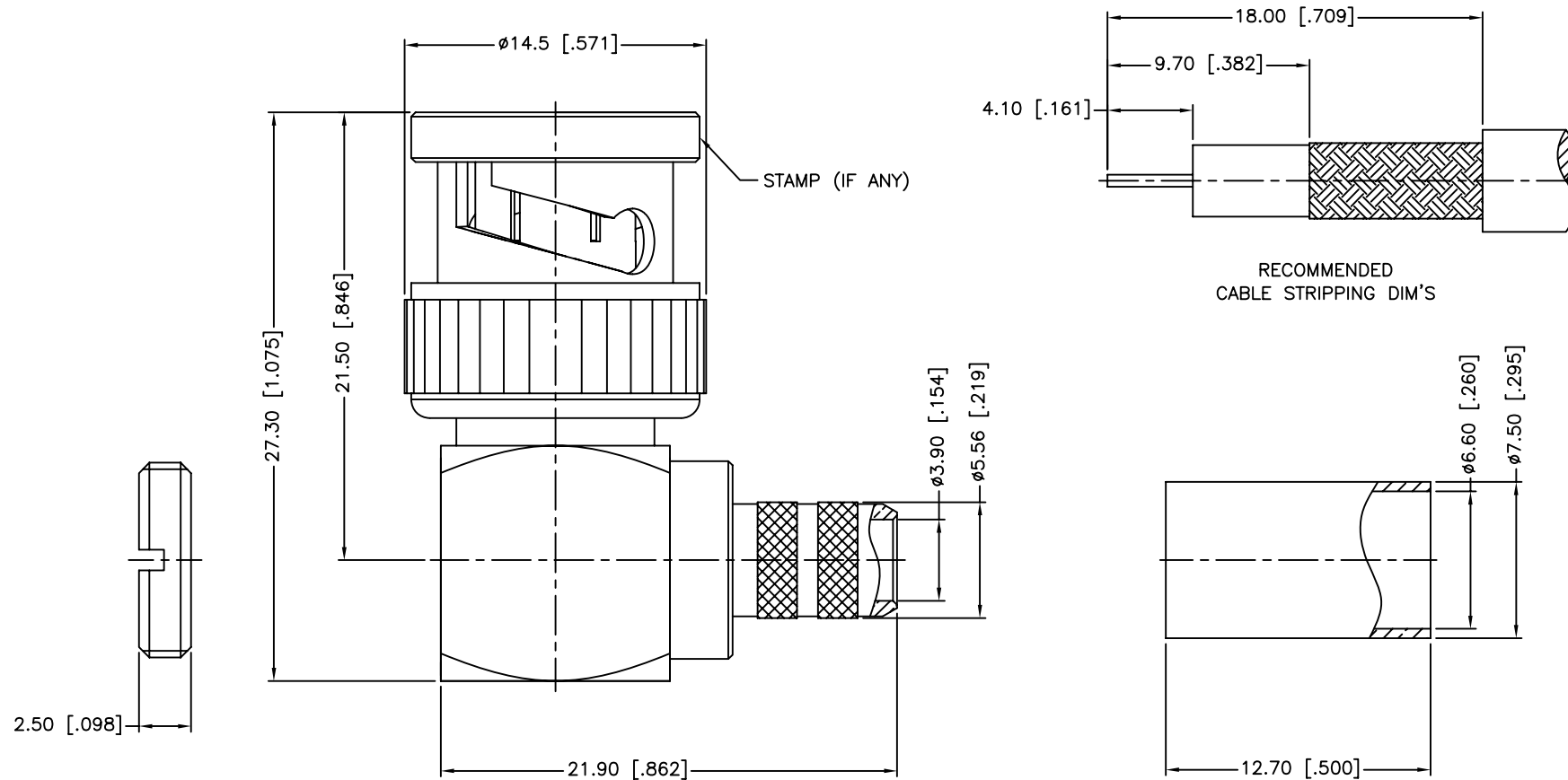


REV.	DATE	ECR NO.	DESCRIPTION
NC	03/22/10	-	INITIAL RELEASE



NOTE:  
1. CRIMPED FERRULE  
HEX CRIMP SIZE .255"

QTY	DESCRIPTION	MATERIAL	FINISH
11	NUT	BRASS	NICKEL
10	FERRULE	BRASS	NICKEL
9	WASHER	BRASS	NICKEL
8	SPRING	SK5	NICKEL
7	RETAINER RING	BRASS	NICKEL
6	GASKET	RUBBER	RED
5	CONTACT PIN	BRASS	GOLD
4	INSULATOR	DELTRIN	NATURAL
3	BARREL	BRASS	NICKEL
2	HOUSING	BRASS	NICKEL
1	SHELL	BRASS	NICKEL

UNLESS OTHERWISE SPECIFIED DIMENSIONS ARE IN MILLIMETERS. DIMENSIONS IN [ ] ARE IN INCHES AND FOR CUSTOMER REFERENCE ONLY.

UNLESS OTHERWISE SPECIFIED TOLERANCES FOR MILLIMETERS ARE:  
0.5 - 8mm  $\pm 0.20$ mm  
8 - 30mm  $\pm 0.40$ mm  
30 - 120mm  $\pm 0.50$ mm

UNLESS OTHERWISE SPECIFIED TOLERANCES FOR INCHES ARE:  
.020 - .315  $\pm 0.007$ "  
.315 - 1.180  $\pm 0.015$ "  
1.180 - 4.724  $\pm 0.020$ "

DO NOT SCALE DRAWING

APPROVALS	DATE
DRAWN M.ZHANG	03/22/10
CHECKED	
ISSUED	
SHEET 1 OF 1	
CAD FILE	C:/CONNEX/112165.DWG

PART DESCRIPTION			
<b>Amphenol Connex</b>			
BNC R/A CRIMP PLUG (FOR RG-59/U CABLE 75 ohms)			
PART NO.		112165	
DWG. NO.	112165.DWG	REV.	NC
SIZE	A	SCALE	NA