

4

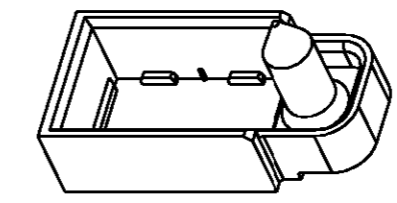
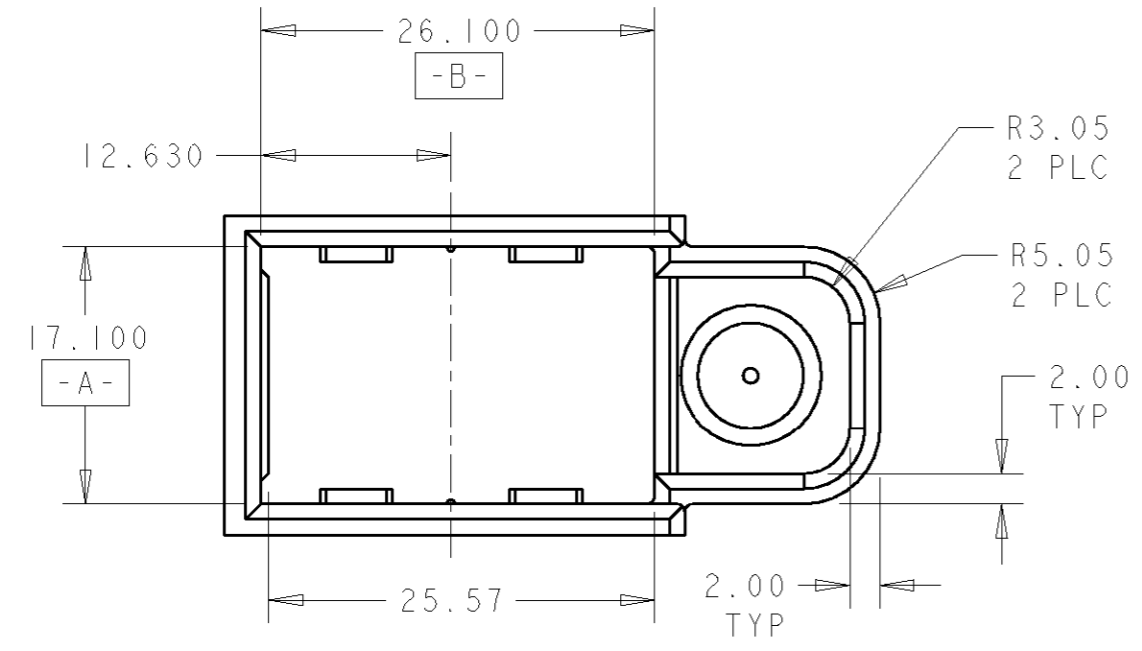
3

2

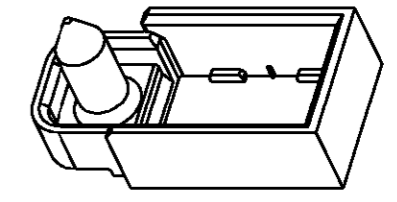
1

THIS DRAWING IS UNPUBLISHED. RELEASED FOR PUBLICATION 20  
 © COPYRIGHT 20 BY TYCO ELECTRONICS CORPORATION. ALL RIGHTS RESERVED.

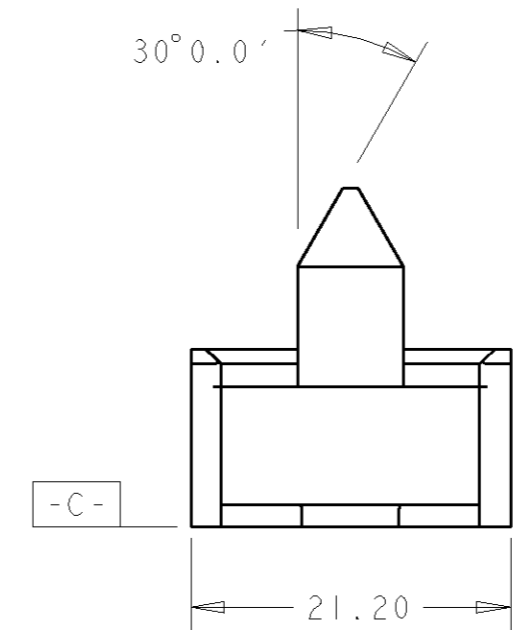
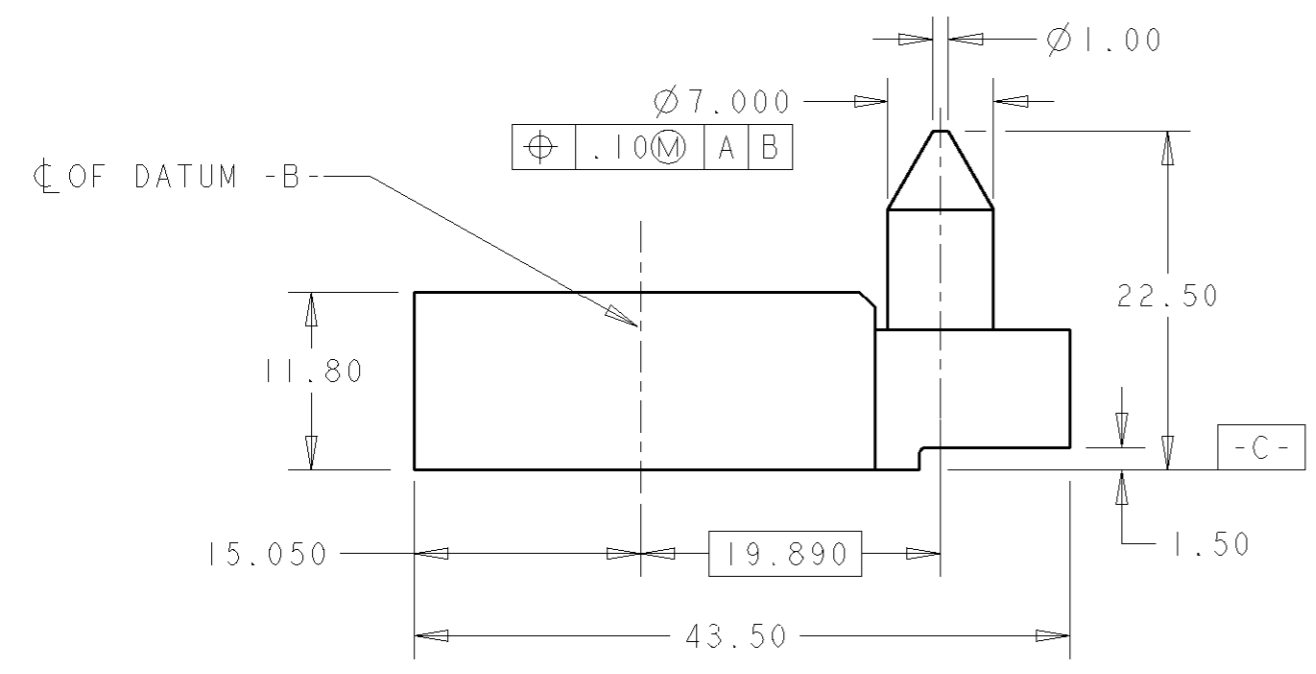
LOC	DIST	REVISIONS			
P	LTR	DESCRIPTION	DATE	DWN	APVD
AD	47	B	REV PER EC OUIB-0193-01	18JUL2001	BC RP



SCALE 1:1



SCALE 1:1



THIS PRODUCT HAS NOT COMPLETED VALIDATION TESTING

NOTES:

- 1 MATERIAL: VALOX 420 SEO, COLOR: BLACK
- 2. SHROUD APPLIED TO PCB WITH 60 POSITION, 6 ROW VERTICAL HS3 HEADER

<small>THIS DRAWING IS A CONTROLLED DOCUMENT FOR TYCO ELECTRONICS CORPORATION. IT IS SUBJECT TO CHANGE AND THE CONTROLLING ENGINEERING ORGANIZATION SHOULD BE CONTACTED FOR THE LATEST REVISION.</small>		DWN BRIAN COSTELLO 11APR2001 CHK RA PATTERSON 23APR01 APVD - PRODUCT SPEC - APPLICATION SPEC - WEIGHT -	<b>tyco Electronics</b> Tyco Electronics Harrisburg, PA 17105-3608
DIMENSIONS: mm 	TOLERANCES UNLESS OTHERWISE SPECIFIED: 0 PLC ±- 1 PLC ±0.1 2 PLC ±0.05 3 PLC ±0.005 4 PLC ±0.0001 ANGLES ±-	NAME GUIDE SHROUD FOR 60 POSITION, 6 ROW HS3 VERTICAL HEADER SIZE A3 CAGE CODE 00779 DRAWING NO C-120866	RESTRICTED TO -
MATERIAL	FINISH -	CUSTOMER DRAWING	SCALE 2:1 SHEET 1 OF 1 REV B